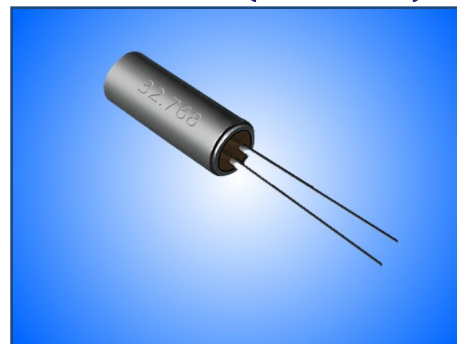


TUNING FORK CRYSTAL UNIT IN $\varnothing 3 \times 8$ MM THRU-HOLE METAL CAN PACKAGE.
PRODUCT FEATURES

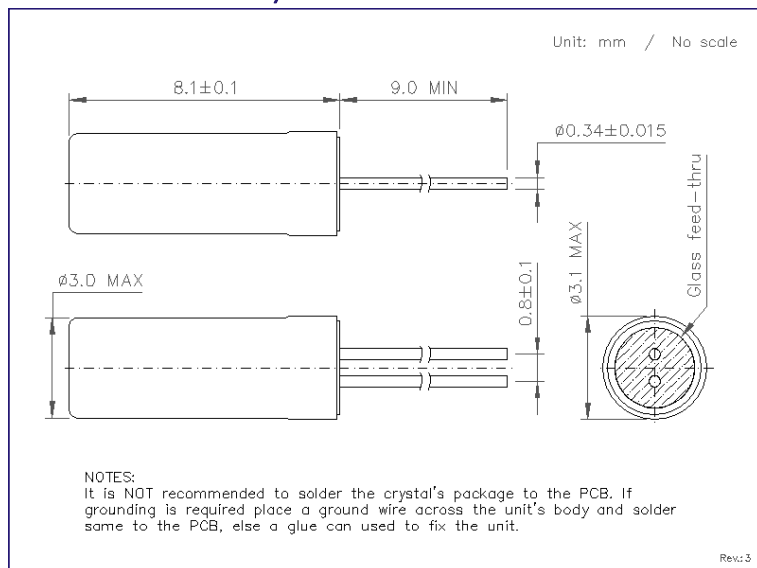
- Package dimensions $\varnothing 3 \times 8$ mm with 2 leads.
- Reliable vacuum sealed metal can package.
- Suitable for low power consumption applications.
- RoHS compliant, LEAD-FREE and HALOGEN-FREE.

APPLICATIONS

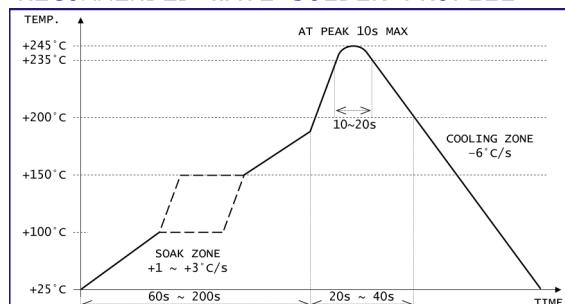
- Real time clocks
- TV, LCD monitors
- Timers and controllers
- Cable modems

PRODUCT PHOTO (NOT IN SCALE)

PRODUCT SPECIFICATIONS

PARAMETER	FL38T2		CONDITIONS / REMARKS
Nominal frequency range	32.768kHz	28 ~ 100kHz	Please contact us for available frequencies.
Vibration mode	Fundamental		
Frequency tolerance	± 20 ppm / ± 30 ppm / ± 50 ppm / ± 100 ppm		Other options available.
Stability over temperature	-0.042ppm/ $^{\circ}$ C ² TYP		Parabolic coefficient.
Operating temperature range	-20 to +70 $^{\circ}$ C or -40 to +85 $^{\circ}$ C		Other options available.
Turnover temperature	+25 ± 5 $^{\circ}$ C		
Equivalent series resistance (ESR)	<30k Ω	<30k Ω <20k Ω	<40kHz >40kHz
Shunt capacitance	2.0pF	2.0pF	Typical
Motional capacitance	3.2fF	1.5~4.5fF	Depending on frequency.
Load capacitance	6 ~ 12.5pF	6~32pF or SERIES	Please specify.
Drive level	0.2 μ W TYP / 2.0 μ W MAX		
Aging first year	± 5 ppm		At +25 $^{\circ}$ C

PACKAGE OUTLINE / DIMENSIONS

PACKAGING INFORMATION

- Bulk packaging.
- QTY per bag: 1,000pcs MAX
- QTY per box: 5 ~ 10 bags MAX

RECOMMENDED WAVE SOLDER PROFILE


单击下面可查看定价，库存，交付和生命周期等信息

[>>HCI\(杭晶\)](#)