

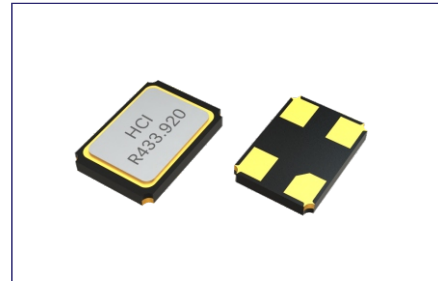


SMD 3.2x2.5 CERAMIC SEAM SEAL PACKAGE

PRODUCT FEATURES

- Small size 3.2x2.5x1.0mm
- The optional frequency can be customized
- High transmit and receive sensitivity
- High temperature resistance and impact resistance
- Good power and reliability
- RoHS compliant

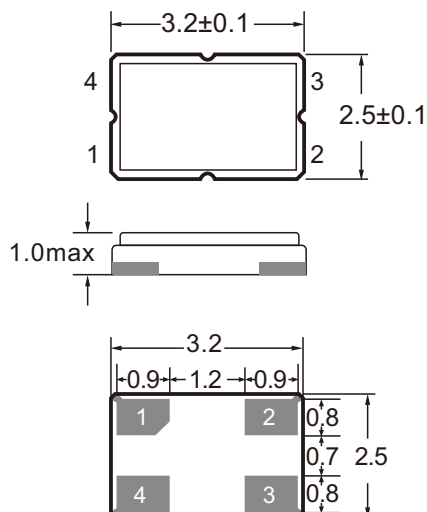
PRODUCT PHOTO



PRODUCT SPECIFICATIONS

Item			Minimum	Typical	Maximum	Unit
Frequency Range		f_c	154~1000MHz			MHz
Standard Frequency		f_c	303,315,390,433.92,435,72			MHz
Frequency Tolerance(at 25°C)		Δf_c	$\pm 50, \pm 75, \pm 150$ or specify			KHz
Insertion Loss (in 50ohm system, min)		IL	1.0,1.3,1.4, 1.5 or specify			dB
Temperature Stability	Turnover Temperature	T_0	25	40	55	°C
	Turnover Frequency	f_0		f_c		
	Frequency Temperature Coefficient	FTC		0.037		ppm/°C
Frequency Aging	Absolute Value during the First Year	$ f_A $		≤ 10		ppm/yr
DC Insulation Resistance between Any Two Pins			1.0			MΩ
Operating Temperature Range			-40~+85			°C
Storage Temperature Range			-40~+85			°C

PACKAGE OUTLINE / DIMENSIONS



Pin No.	Description
1	Input/ Output
3	Output/ Input
2,4	Ground

单击下面可查看定价，库存，交付和生命周期等信息

[>>HCI\(杭晶\)](#)