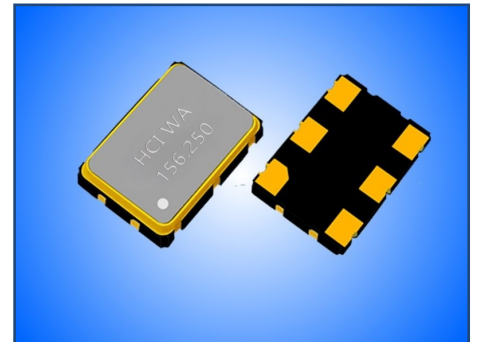


OSCILLATOR UNIT WITH HCSL OUTPUT IN SMD 3.2x2.5mm CERAMIC SEAM SEAL PACKAGE.
PRODUCT FEATURES

- Small dimensions 3.2x2.5x1.3 with 6 solder pads.
- Highly reliable seam sealed ceramic package.
- wide frequency range.
- Low jitter and phase noise.
- RoHS compliant, LEAD-FREE and HALOGEN-FREE.

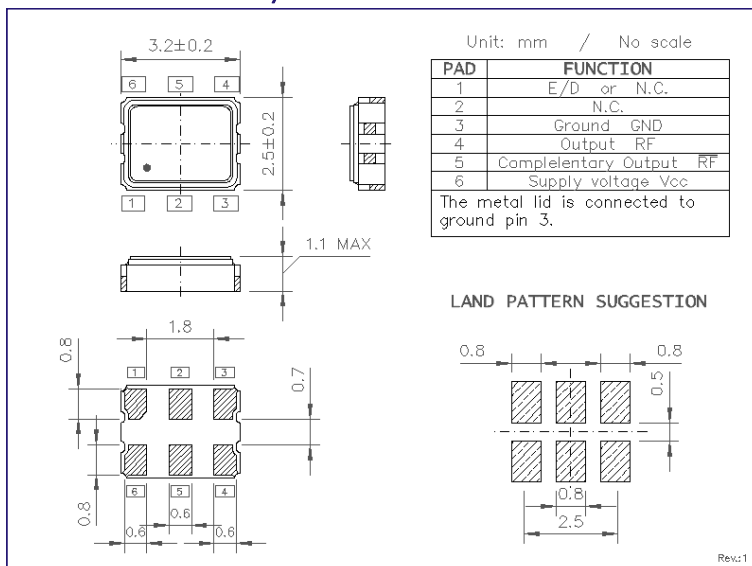
APPLICATIONS

- High speed communication
- Handheld equipment
- Telecom equipment

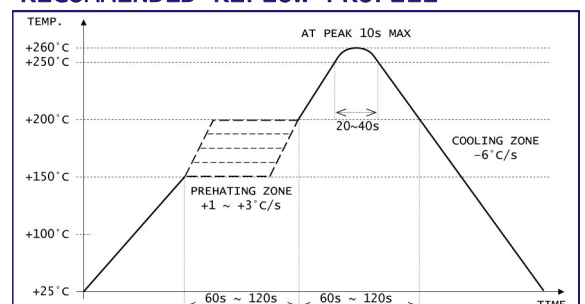
PRODUCT PHOTO (NOT IN SCALE)

PRODUCT SPECIFICATIONS

| PARAMETER | 1532C6 | CONDITIONS / REMARKS |
|-----------------------------|---|--|
| Nominal frequency range | 10 ~ 220MHz | Fund., Overtone or PLL |
| Supply voltage | 2.5V _{DC} / 3.3V _{DC} | Other option possible |
| Supply current | 40mA | Maximum, Fund mode lower I _{CC} |
| Frequency stability | ±25ppm / ±50ppm / ±100ppm | See note below. |
| Operating temperature range | -10 to +70°C or -40 to 85°C | Other options available. |
| Output waveform and load | HCSL / 50Ω | RL to Ground on each output |
| Output voltage level HIGH | 0.74V | Typical |
| Output voltage level LOW | 0V | Typical |
| Rise and Fall times | 0.5ns | @ 20~80~20%V _{CC} |
| Symmetry (duty cycle) | 45~55% | @ outputs cross point |
| Phase Jitter RMS | <1ps | Integrated 12kHz≤F _j ≤20MHz |

Note: Stability includes frequency deviations at +25°C, over temperature range, due to supply voltage changes, output load changes, shock and vibration.

PACKAGE OUTLINE / DIMENSIONS

PACKAGING INFORMATION

- Tape & Reel compliant to EIA-481.
- Embossed carrier width 8mm.
- Component pitch in carrier 4mm.
- Reel diameter 180mm.
- QTY per reel: 3,000pcs

RECOMMENDED REFLOW PROFILE


单击下面可查看定价，库存，交付和生命周期等信息

[>>HCI\(杭晶\)](#)