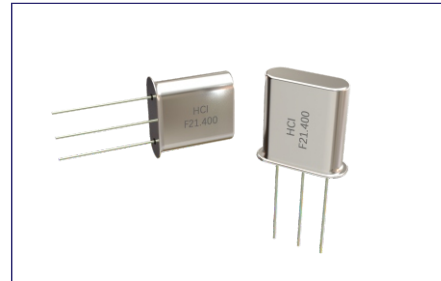


### CRYSTAL FILTER UM-1/UM-5 PACKAGE

#### PRODUCT FEATURES

- Dimensions 7.9X3.3X8.0/5.8
- Low Insertion loss
- High selectivity
- Shock Resistant, High reliability
- RoHS compliant, Pb-Free and Halogen-Free

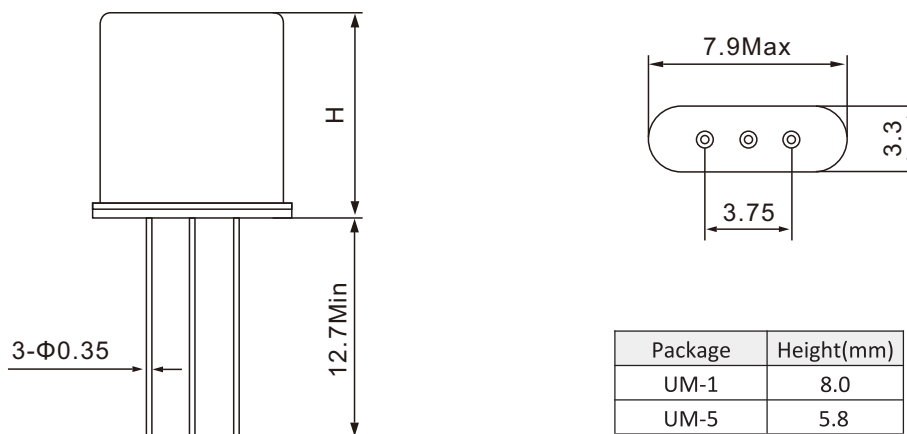
#### PRODUCT PHOTO



#### PRODUCT SPECIFICATIONS

Type	Frequency (MHz)	Bandwidth		StopBand Width		Ripple (dB)	Insertion Loss(dB)	Guaranteed Attenuation (dB)	Terminating Impedance ( $\Omega$ // $\mu$ F)	No of Poles	Size (mm)
		dB	KHz	dB	KHz						
21M7.5A	21.4	3	3.75	20	18	0.5	1.5	20	850//6	2	UM-1
21M7.5B	21.4	3	3.75	40	14	1	2	40	850//5	4	UM-1x2
21M12A	21.4	3	6	20	25	0.5	1.5	20	1.2k//3	2	UM-1
21M12B	21.4	3	6	40	20	1	2	40	1.2k//2.5	4	UM-1x2
21M15A	21.4	3	7.5	18	25	1	1.5	20	1.5k//2.5	2	UM-1
21M15B	21.4	3	7.5	40	25	1	2.5	40	1.5k//2	4	UM-1x2
10M3A	10	6	1.5	18	14	0.5	4	-	1000	2	UM-1
28M11B	28.0125	3	11	60	55	1	2	60	1500	4	UM-5x2
38.8M15B	38.855	3	7.5	40	60	1	2	40	1500	4	UM-5x2
40M15B	40	3	7.5	45	25	1	4	40	1000	4	UM-5x2
45M12A	45	3	6	15	22	1	2	-	650//5	2	UM-1
45M12B	45	3	6	30	20	1	3	40	650//4	4	UM-1x2
45M15A	45	3	7.5	15	25	1	2	-	650//2	2	UM-1
45M15B	45	3	7.5	30	25	1	3	40	650//2	4	UM-1x2

#### PACKAGE OUTLINE / DIMENSIONS



单击下面可查看定价，库存，交付和生命周期等信息

[>>HCI\(杭晶\)](#)