

QUARTZ CRYSTAL UNIT IN SMD 6.0x3.5MM GLASS SEAL PACKAGE.
PRODUCT FEATURES

- Dimensions 6.0x3.5x1.4 with 2 solder pads.
- Low cost ceramic glass seal package.
- Tight tolerances and stabilities over temperature range.
- RoHS compliant by exemption and HALOGEN-FREE.

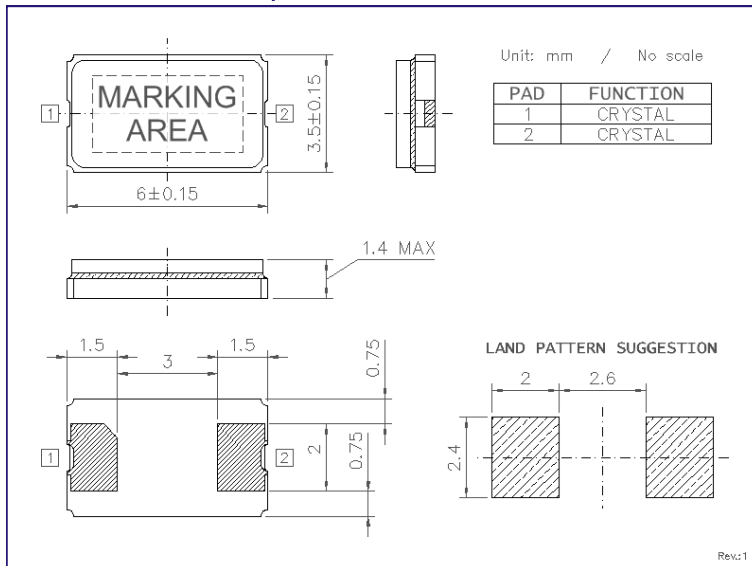
PRODUCT PHOTO (NOT IN SCALE)

APPLICATIONS

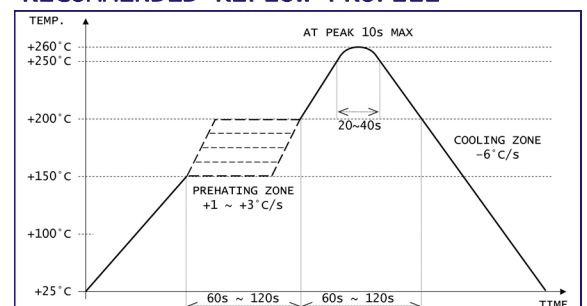
- Motherboard
- Computer peripherals
- Handheld equipment

PRODUCT SPECIFICATIONS

| PARAMETER | 0163G2 | | CONDITIONS / REMARKS |
|------------------------------|------------------------------|--------------|--|
| Nominal frequency range | 8.0 ~ 100.0MHz | | Fundamental up to 50MHz and 3rd overtone from 40MHz. |
| Crystal cut and mode | AT-cut / FUND & 3rd Overtone | | |
| Frequency tolerance | ±10ppm to ±50ppm | | Other options available. |
| Frequency stability | ±10ppm | ±30ppm | Other options available. |
| Operating temperature range | -20 to +70°C | -40 to +85°C | Other options available. |
| Equivalent series resistance | 60Ω | | FUND - 8.0 ~ 12.0MHz |
| | 40Ω | | FUND - 12.1 ~ 25.0MHz |
| | 30Ω | | FUND - 25.1 ~ 50.0MHz |
| | 120Ω | | 3rd OT - 40.0 ~ 60.0MHz |
| | 80Ω | | 3rd OT - 60.1 ~ 100.0MHz |
| Load capacitance | 6 ~ 32pF or SERIES | | Please specify. |
| Shunt capacitance | <7pF | | -- |
| Drive level | 10μW TYP / 300μW MAX | | -- |
| Aging | ±3ppm | | Per year |

PACKAGE OUTLINE / DIMENSIONS

PACKAGING INFORMATION

- Tape & Reel compliant to EIA-481.
- Embossed carrier width 12mm.
- Component pitch in carrier 8mm.
- Reel diameter 180mm.
- QTY per reel: 1,000pcs MAX.

RECOMMENDED REFLOW PROFILE


单击下面可查看定价，库存，交付和生命周期等信息

[>>HCI\(杭晶\)](#)