

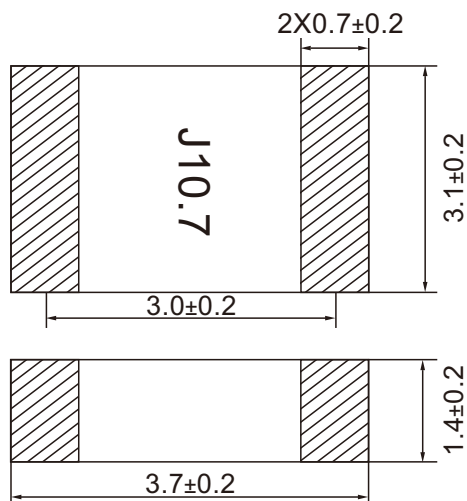
SMD 3.7x3.1x1.4 PACKAGE
PRODUCT FEATURES

- Small size and light weight
- Suitable for mobile devices
- Responsive and reliable performance
- Adjustment-free test circuit
- High selectivity and Good stability
- RoHS compliant

PRODUCT PHOTO

PRODUCT SPECIFICATIONS

Part Number	Receiver Audio 3dB Bandwidth(KHz)	Demodulation Output at F0(mv/min)	Distortion Factor at f0 (%) max
JTCV10.7MG1	345	25	1.0
JTCV10.7MG3	±150	650	1.0
JTCV10.7MG16	300	60~90	0.9
JTCV10.7MG18	300	60~90	0.9
JTCV10.7MG33	250	45	0.7
JTCV10.7MG80	300	65	1.0
JTCV10.7MG82	320	90	0.8
JTCV10.7MG92	300	60	1.0
JTCV10.7MC1	242	35	1.0

PACKAGE OUTLINE / DIMENSIONS


单击下面可查看定价，库存，交付和生命周期等信息

[>>HCI\(杭晶\)](#)