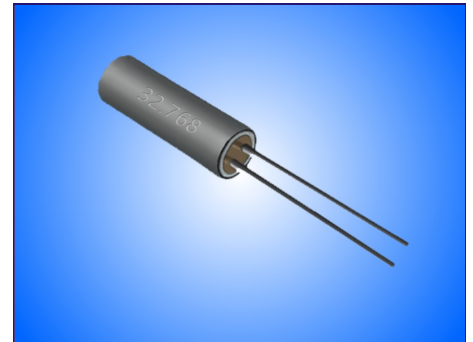


TUNING FORK CRYSTAL UNIT IN Ø2x6MM THRU-HOLE METAL CAN PACKAGE.
PRODUCT FEATURES

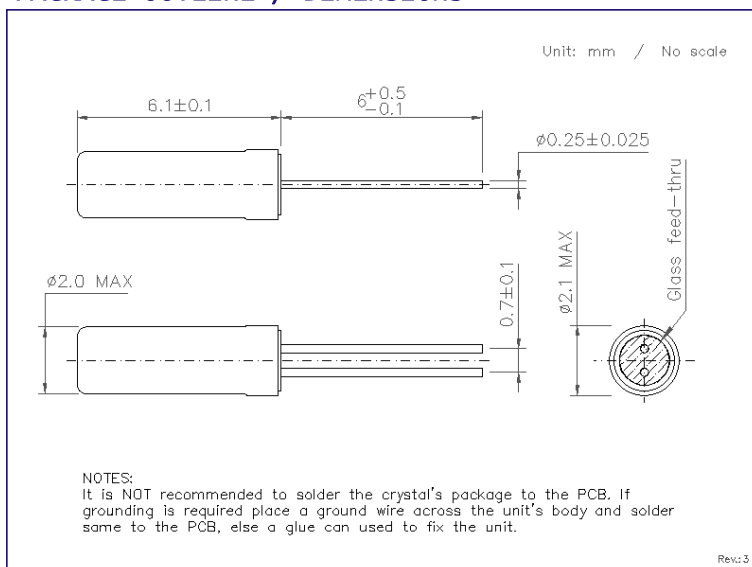
- Package dimensions Ø2x6mm with 2 leads.
- Reliable vacuum sealed metal can package.
- Suitable for low power consumption applications.
- ROHS compliant, LEAD-FREE and HALOGEN-FREE.

PRODUCT PHOTO (NOT IN SCALE)

APPLICATIONS

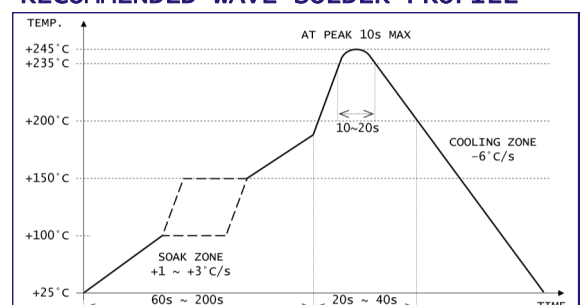
- Real time clocks
- TV, LCD monitors
- Timer and controllers
- Cable modems

PRODUCT SPECIFICATIONS

PARAMETER	FL26T2		CONDITIONS / REMARKS
Nominal frequency range	32.768kHz	28 ~ 80kHz	Please contact us for available frequencies.
Vibration mode	Fundamental		
Frequency tolerance	±20ppm / ±30ppm / ±50ppm / ±100ppm		Other options available.
Stability over temperature	-0.036ppm/°C ²	-0.034ppm/°C ²	Parabolic coefficient.
Operating temperature range	-20 to +70°C or -40 to +85°C		Other options available.
Turnover temperature	+25±5°C		
Equivalent series resistance (ESR)	<40kΩ	<40kΩ <30kΩ	<40kHz >40kHz
Shunt capacitance	1.8pF	2.0pF	Typical
Motional capacitance	3.0fF	1.5~4.0fF	Depending on frequency.
Load capacitance	6 ~ 12.5pF	6~32pF or SERIES	Please specify.
Drive level	0.2µW TYP / 2.0µW MAX		
Aging first year	±5ppm		At +25°C

PACKAGE OUTLINE / DIMENSIONS

PACKAGING INFORMATION

- Bulk packaging.
- QTY per bag: 1,000pcs MAX
- QTY per box: 20 bags MAX

RECOMMENDED WAVE SOLDER PROFILE


单击下面可查看定价，库存，交付和生命周期等信息

[>>HCI\(杭晶\)](#)