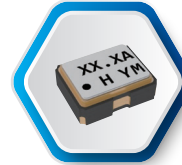


HSB221S SERIES

CRYSTAL OSCILLATOR, TCXO

 RoHS Compliant Pb Free


STANDARD SPECIFICATION

Items		Parameter
Frequency Range		13 ~ 52MHz
Supply Voltage		1.8 ~ 3.3 V
Current Consumption		1.5 mA Max. ($f \leq 26\text{MHz}$) / +2.0mA Max. ($26 \leq f \leq 52\text{MHz}$)
Harmonics		- 5 dBc Max.
Output Level		0.8 V _{p-p} Min.
Output Load		10K Ω // 10pF
Frequency Stability	Tolerance	± 1.5 ppm Max. (After 2 times reflow)
	vs Temperature	± 0.5 ppm Max. / -30 ~ +85°C
	vs Slope	± 0.2 ppm/°C Max. (-30 ~ +85°C)
	vs Supply Voltage	± 0.2 ppm Max. (v _{dd} $\pm 5\%$)
	vs Load Variation	± 0.2 ppm Max. (10K Ω //10pF $\pm 10\%$)
	vs Aging	± 1 ppm / year
Start Up		2.0 ms Max.

PHASE NOISE (FREQUENCY vs OFFSET)

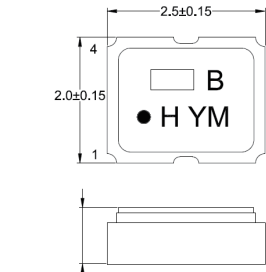
	1kHz	10kHz	100kHz
$f \leq 26\text{MHz}$	-130 dBc/ Hz	-150 dBc/ Hz	-155 dBc/ Hz
$26\text{MHz} < f \leq 40\text{MHz}$	-130 dBc / Hz	-150 dBc / Hz	-155 dBc / Hz
$40\text{MHz} < f \leq 52\text{MHz}$	-125 dBc / Hz	-145 dBc / Hz	-150 dBc / Hz

*For other specification, please contact us.

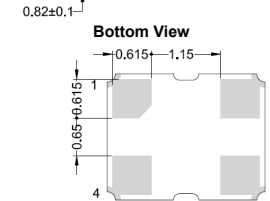
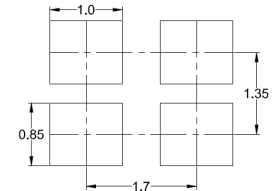
Packing Unit : 3,000pcs/Reel.

DIMENSION

Unit:mm



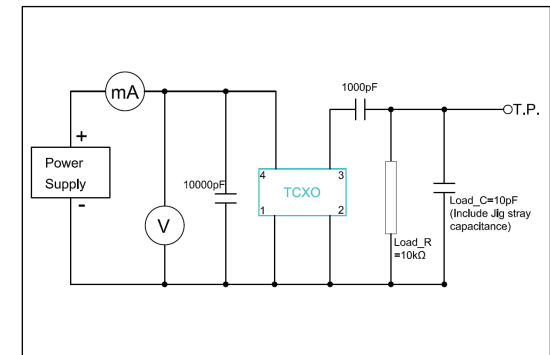
Recommended Land Pattern Tolerance: ± 0.1



Pin Connections	
1	GND or NC
2	GND
3	Output
4	Vdd

TEST CIRCUIT AND OUTPUT WAVEFORM

Measurement Circuit


 Actual Size

单击下面可查看定价，库存，交付和生命周期等信息

[>>HELE\(加高\)](#)