

1. Type Name :

HSO751S

2. Output Frequency :

24.000000MHz

3. Absolute Maximum Ratings :

Item	Symbol	Value	Unit
Vdd terminal voltage	Vdd	-0.5 ~ 7.0	V
Input terminal voltage	Vcont	-0.5 ~ Vdd+0.5	V
Output terminal voltage	Vout	-0.5 ~ Vdd+0.5	V
Output terminal current	Iout	25	mA
Storage temp. range	Tstr	-55 ~ 125	°C

4. Electric Specifications :

Item	Symbol	Value			Unit	Condition		
		Min	Typ	Max		Etc	Vdd	Temp
Frequency tolerance	$\Delta f/F$	-50	-	+50	ppm	Fig1,2	3.3+/- 0.3V	-10~70 °C
Operating temp. range	Topr	-10		+70	°C			
Supply voltage	Vdd	3.0	3.3	3.6	V			
Current consumption 1 (#1 pin: open or "H")	Idd1	-	-	25	mA	Fig1,2	3.3V	25±3°C
Current consumption 2 (#1 pin: "L" level)	Idd2	-	-	0.02	mA			
Symmetry	Duty	40	50	60	%			
Low level output voltage	Vol	-	-	0.1xVdd	V			
High level output voltage	Voh	0.9xVdd	-	-	V			
Rise & Fall time	Tr & Tf	-	-	10	ns			
Pin #1 options	YES							
Output load	C-MOS CL =30 pF (Idd1, Idd2 test at No Load)							
Low level input current	Iil	-	-	-100	μA	Fig3	3.3V	25±3°C
High Level input current	Iih	-	-	100	μA			
Low level input voltage	Vil	-	-	0.3xVdd	V			
High level input voltage	Vih	0.7xVdd	-	-	V			
Output disable time	Tplz	-	-	100	ns			
Output enable time	Tpzl	-	-	5	ms			
Aging	-	-5	-	5	ppm/year			

F :Output Frequency

$\Delta f$  =Oscillation Frequency – F

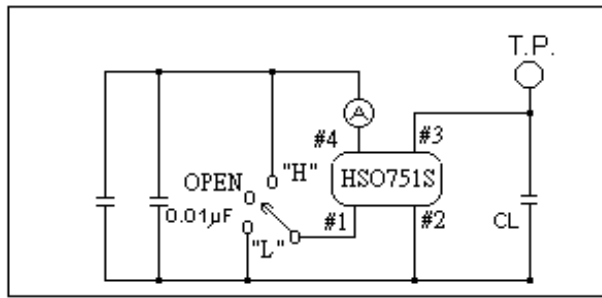
Frequency Stability is inclusive of 25°C

Tolerance, operating temperature range, input voltage change,  
Load chang, first of aging , shock and vibration.

Title				Country of origin		
<b>HSO751S SPECIFICATION</b>				<b>TAIWAN FACTORY</b> <b>SHEN ZHEN FACTORY</b>		
Date	Confirm	Check	Prepare	Rev.	Page	
2012/02/16	F. S. TSAI	C. H. WENG	U. F. CHEN	0	1	
SSR02400013CH						

HARMONY ELECTRONICS CORP.

Fig. 1) Measurement Circuit :



CL = Include jig & probe capacitance  
(Refer to 4)

Switch	Out term.
H	Oscillation out
Open	Oscillation out
L	High Z

Fig. 2) Output Wave Form :

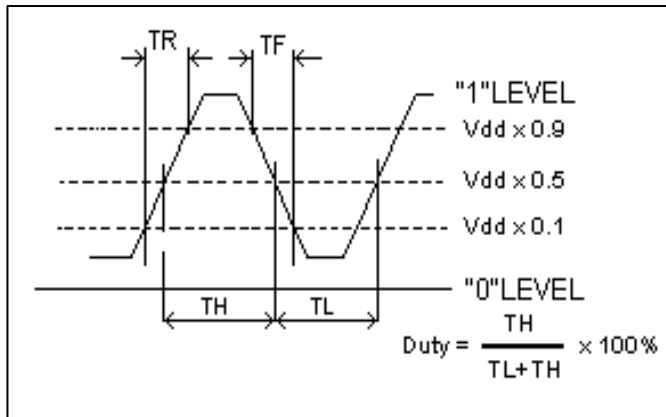
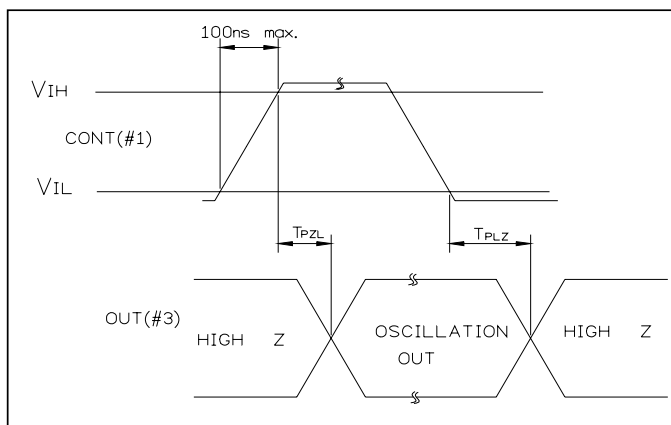


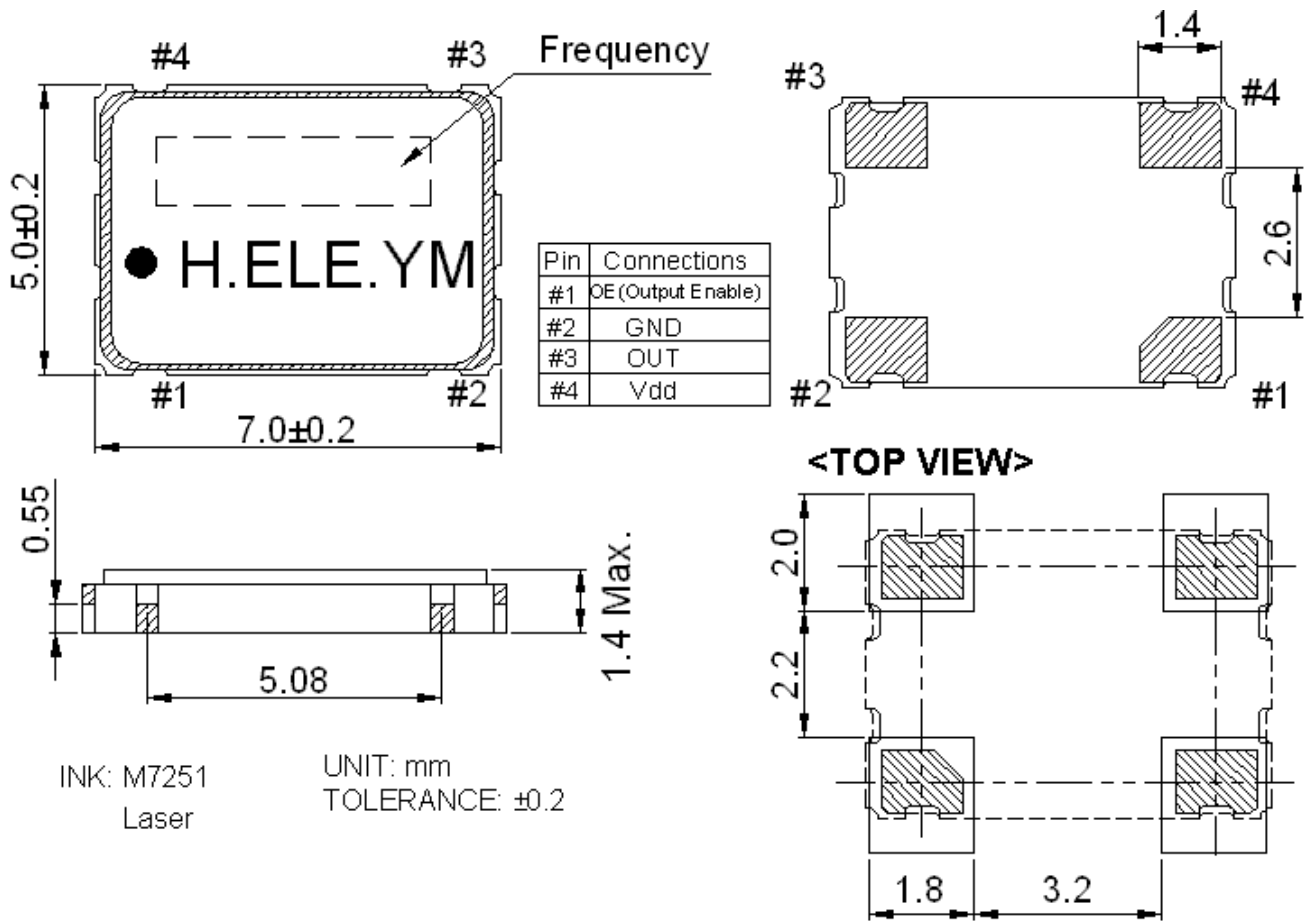
Fig. 3) Input Output Condition :



Title <b>HSO751S SPECIFICATION</b>				Country of origin <b>TAIWAN FACTORY SHEN ZHEN FACTORY</b>		
Date <b>2012/02/16</b>	Confirm F. S. TSAI	Check C. H. WENG	Prepare U. F. CHEN	Rev. SSR02400013CH	0	Page 2

**HARMONY ELECTRONICS CORP.**

5. Dimensions :



INK: M7251  
Laser

UNIT: mm  
TOLERANCE: ±0.2

Lot No. :

Year : Last digit of the year

Year	2000	2001	2002	2003	2004	2005	2006	2007	2008	2009
	2010	2011	2012	2013	2014	2015	2016	2017	2018	2019
Code	0	1	2	3	4	5	6	7	8	9

Month : Alphabet assign below

Month	1	2	3	4	5	6	7	8	9	10	11	12
Code	A	B	C	D	E	F	G	H	J	K	L	M

Marking : Laser marking or Ink marking.

Title <b>HSO751S SPECIFICATION</b>				Country of origin <b>TAIWAN FACTORY SHEN ZHEN FACTORY</b>		
Date <b>2012/02/16</b>	Confirm F. S. TSAI	Check C. H. WENG	Prepare U. F. CHEN	Spec. No. SSR024000I3CH	Rev. 0	Page 3

**HARMONY ELECTRONICS CORP.**

单击下面可查看定价，库存，交付和生命周期等信息

[>>HELE\(加高\)](#)