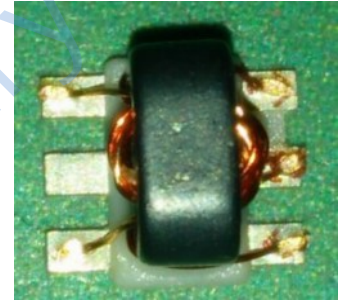


H2WBC1-1TL

Features:

- ◆ 1: 1CT Impedance
- ◆ 50Ω Characteristic Impedance
- ◆ Frequency: 0.3to750 MHz
- ◆ RF power: 0.25W
- ◆ DC current: 30mA
- ◆ Operating temperature range: -40℃ to +85℃
- ◆ Storage temperature range: -55℃ to +100℃



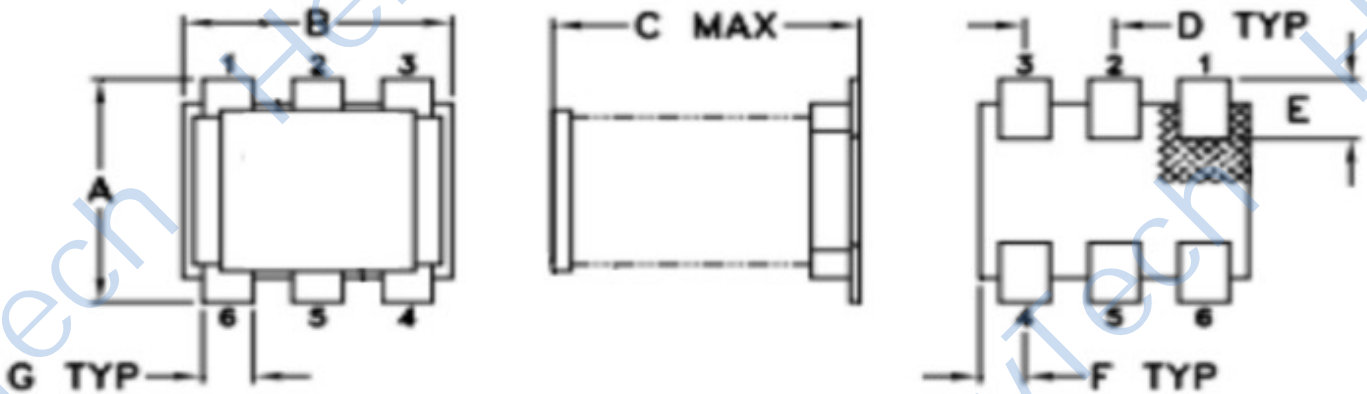
0.3-750MHz

50 1: 1CT Flux Coupled Transformer

Applications:

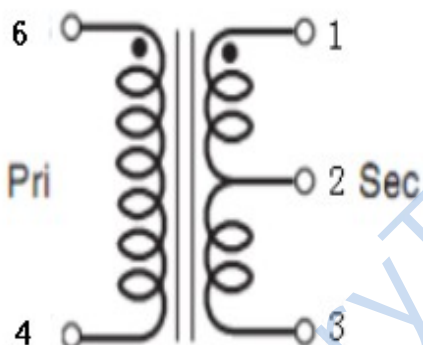
- ◆ For broadband and wireless communications
- ◆ For VHF/UHF receivers/transmitters and push-pull amplifiers

Dimension Diagram (Unit:mm) :

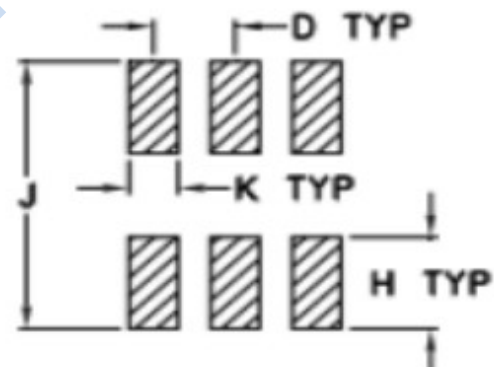


A:4.1±0.20 B:3.8±0.20 C:2.75±0.20 D:1.3±0.05 E:1.02±0.05 F:0.64±0.05 G:1.65±0.05

Electrical structure:



Recommended layout:

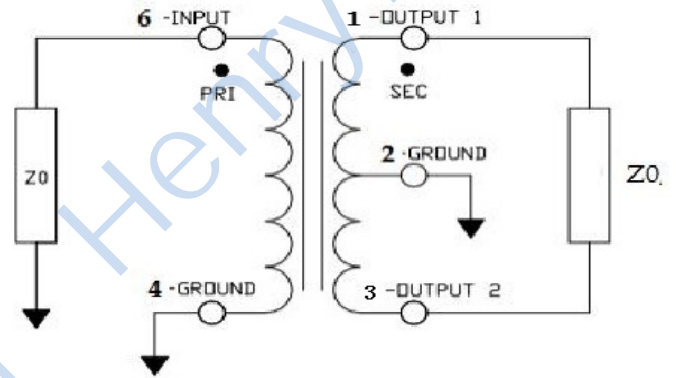


D:1.3±0.05 H:1.65±0.05 J:4.83±0.05 K:0.76±0.05

Pin configuration

Pin No.	Function
1	Secondary dot (Output 1)
2	Centre tap (Ground)
3	Secondary (Output 2)
4	Primary dot (Ground)
6	Primary (Input)

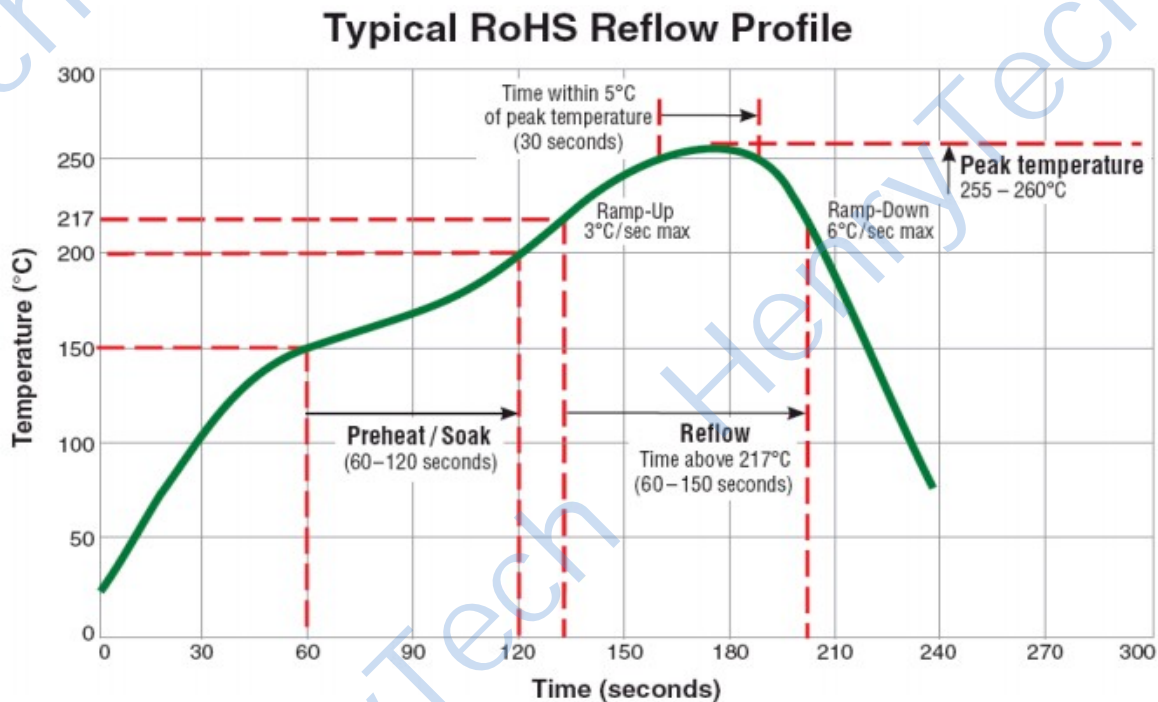
Application circuit :



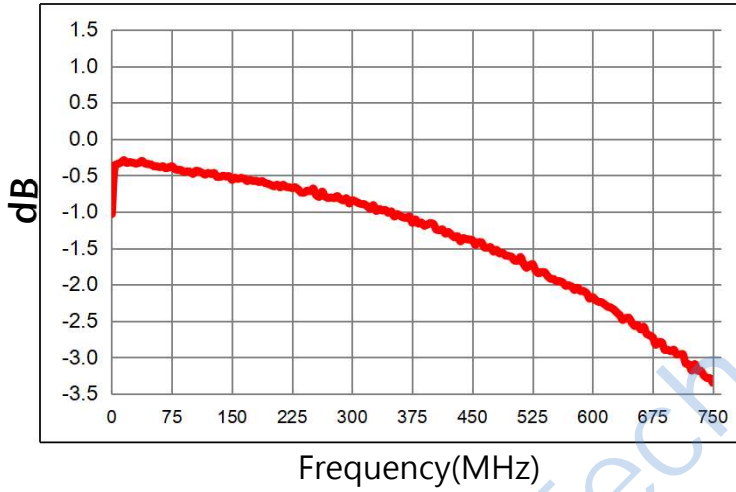
Electrical Specifications : $T_A=25$ $Z_0=50$

Parameter	Test Conditions	Units	Min	Typ	Max
Main line Loss(out1)	0.3-750MHz	dB	—	0.5	3.8
Main line Loss(out2)	0.3-750MHz	dB	—	0.5	1.5
Amplitude Balance	0.3-750MHz	dB	—	0.5	3.0
Phase Balance	0.3-750MHz	Degrees	—	5.0	10.00
Input Return Loss	0.3-750MHz	dB	10.00	15.00	—

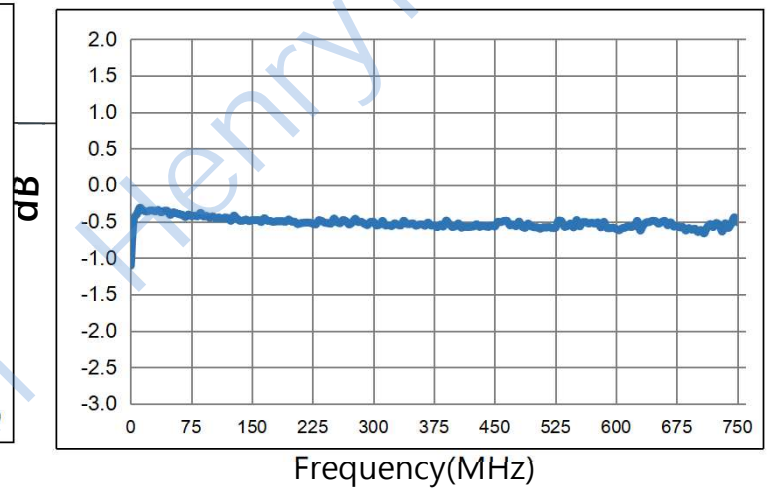
Recommended Soldering Temperature Graph:



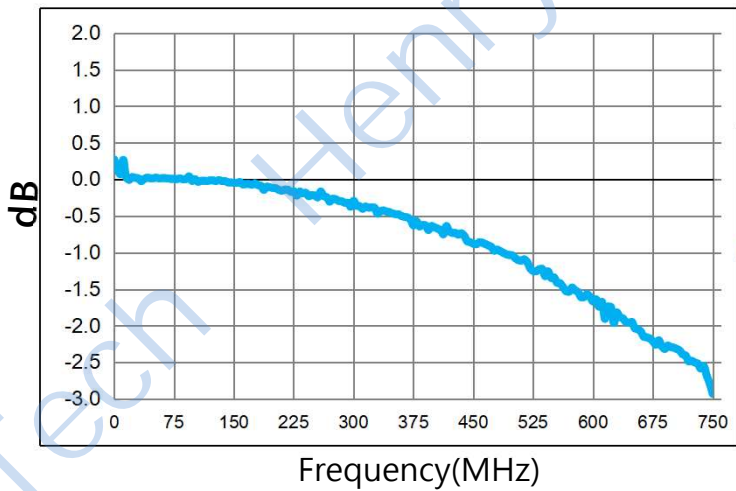
Main line Loss(out1)



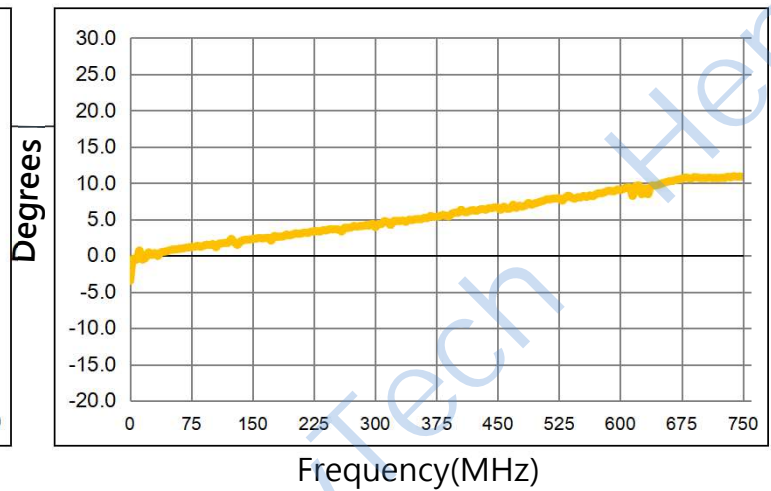
Main line Loss(out2)



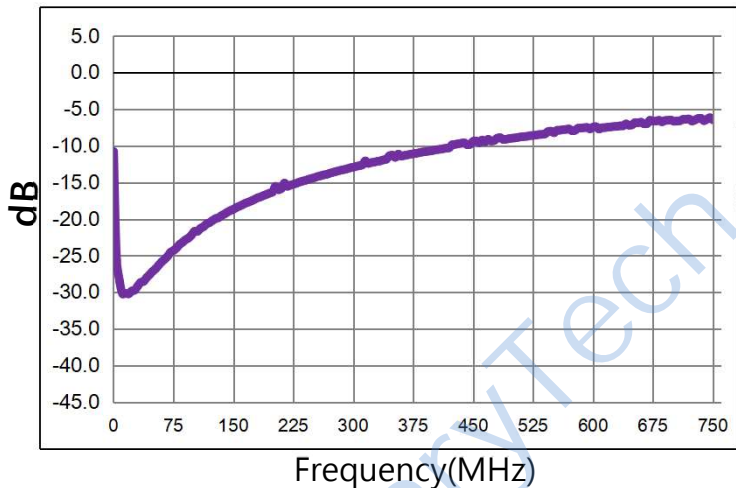
Amplitude Balance



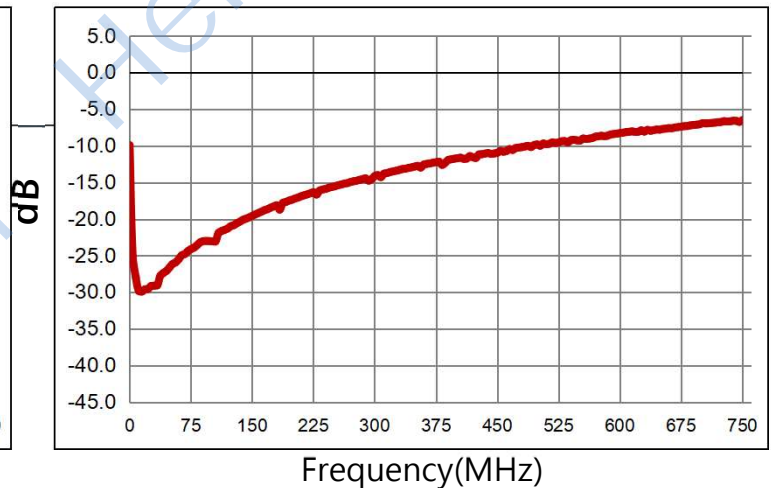
Phase Balance



Input Return Loss



Sdd22



单击下面可查看定价，库存，交付和生命周期等信息

[>>HenryTech\(恒利泰\)](#)