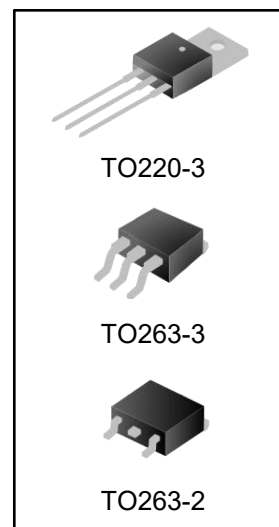


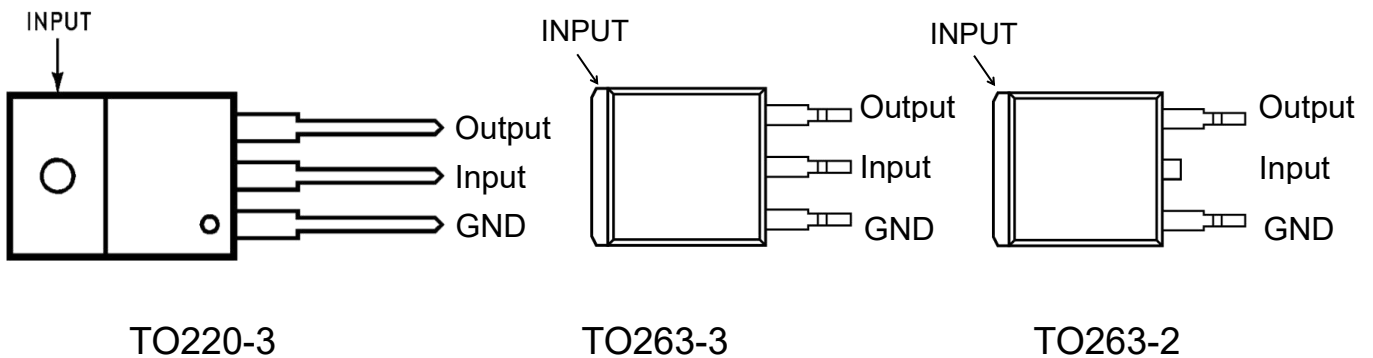
## FEATURES

- Output current in excess of 1.0A
- Internal short current circuit limiting
- Internal thermal overload protection
- Output voltage offered of 4% tolerance



## ORDERING INFORMATION

DEVICE	Package Type	MARKING	Packing	Packing Qty
LM7905TG	TO220-3	LM7905	TUBE	1000pcs/box
LM7906TG	TO220-3	LM7906	TUBE	1000pcs/box
LM7908TG	TO220-3	LM7908	TUBE	1000pcs/box
LM7912TG	TO220-3	LM7912	TUBE	1000pcs/box
LM7915TG	TO220-3	LM7915	TUBE	1000pcs/box
LM7918TG	TO220-3	LM7918	TUBE	1000pcs/box
LM7924TG	TO220-3	LM7924	TUBE	1000pcs/box
LM7905SRG	TO263-3	LM7905	REEL	500 pcs/reel
LM7906SRG	TO263-3	LM7906	REEL	500 pcs/reel
LM7908SRG	TO263-3	LM7908	REEL	500 pcs/reel
LM7912SRG	TO263-3	LM7912	REEL	500 pcs/reel
LM7915SRG	TO263-3	LM7915	REEL	500 pcs/reel
LM7918SRG	TO263-3	LM7918	REEL	500 pcs/reel
LM7924SRG	TO263-3	LM7924	REEL	500 pcs/reel
LM7905D2TRG	TO263-2	LM7905	REEL	500 pcs/reel
LM7906D2TRG	TO263-2	LM7906	REEL	500 pcs/reel
LM7908D2TRG	TO263-2	LM7908	REEL	500 pcs/reel
LM7912D2TRG	TO263-2	LM7912	REEL	500 pcs/reel
LM7915D2TRG	TO263-2	LM7915	REEL	500 pcs/reel
LM7918D2TRG	TO263-2	LM7918	REEL	500 pcs/reel
LM7924D2TRG	TO263-2	LM7924	REEL	500 pcs/reel

**PIN CONFIGURATION**

**ABSOLUTE MAXIMUM RATINGS**

Condition	Min	Max
Maximum input voltage at $T_J=25^\circ\text{C}$		-35V
Maximum operating junction temperature		+125°C

**ELECTRICAL CHARACTERISTICS LM7905**

( $V_{IN} = -10\text{V}$ ,  $I_o = 500\text{mA}$ ,  $C_{IN} = 2.2\mu\text{F}$ ,  $C_o = 1.0\mu\text{F}$ ,  $T_J = 25^\circ\text{C}$ , unless otherwise noted)

CHARACTERISTIC	SYMBOL	TEST CONDITION	NORMS		UNIT
			Min	Max	
Output Voltage	$V_o$	$-7.0\text{V} \geq V_{IN} \geq -20\text{V}$ $5.0\text{mA} \leq I_o \leq 1.0\text{A}$	-4.82	-5.18	V
Line Regulation	$\Delta U_v$	$I_o = 100\text{mA}, -7.0\text{V}$ $V_{IN} \geq -25\text{V}$ $I_o = 100\text{mA}, -8.0\text{V}$ $V_{IN} \geq -12\text{V}$ $I_o = 500\text{mA}, -7.0\text{V}$ $V_{IN} \geq -25\text{V}$ $I_o = 500\text{mA}, -8.0\text{V}$ $V_{IN} \geq -12\text{V}$		47.5 23.5 95 47.5	mV
Load Regulation	$\Delta U_I$	$5.0\text{mA} \leq I_o \leq 1.5\text{A}$ $250\text{mA} \leq I_o \leq 750\text{mA}$		95 47.5	mV
Quiescent Current	$I_B$			7.8	mA
Quiescent Current Change	$\Delta I_B$	$-7.0\text{V} \geq V_{IN} \geq -25\text{V}$ $5.0\text{mA} \leq I_o \leq 1.5\text{A}$		1.25 0.48	mA

**ELECTRICAL CHARACTERISTICS LM7906**

( $V_{IN} = -11V$ ,  $I_o = 500mA$ ,  $C_{IN} = 2.2\mu F$ ,  $C_o = 1.0\mu F$ ,  $T_J = 25^\circ C$ , unless otherwise noted)

CHARACTERISTIC	SYMBOL	TEST CONDITION	NORMS		UNIT
			Min	Max	
Output Voltage	$V_o$	$-8.0V \geq V_{IN} \geq -21V$ $5.0mA \leq I_o \leq 1.0A$	-5.77	-6.23	V
Line Regulation	$\Delta U_v$	$I_o = 100mA$ , $-8.0V \geq V_{IN} \geq -25V$ $I_o = 100mA$ , $-9.0V \geq V_{IN} \geq -13V$ $I_o = 500mA$ , $-8.0V \geq V_{IN} \geq -25V$ $I_o = 500mA$ , $-9.0V \geq V_{IN} \geq -13V$		57 28.5 114 57	mV
Load Regulation	$\Delta U_l$	$5.0mA \leq I_o \leq 1.5A$ $250mA \leq I_o \leq 750mA$		114 57	mV
Quiescent Current	$I_B$			7.8	mA
Quiescent Current Change	$\Delta I_B$	$-8.0V \geq V_{IN} \geq -25V$ $5.0mA \leq I_o \leq 1.5A$		1.25 0.48	mA

**ELECTRICAL CHARACTERISTICS LM7908**

 ( $V_{IN} = -14V$ ,  $I_o = 500mA$ ,  $C_{IN} = 2.2\mu F$ ,  $C_o = 1.0\mu F$ ,  $T_J = 25^\circ C$ , unless otherwise noted)

CHARACTERISTIC	SYMBOL	TEST CONDITION	NORMS		UNIT
			Min	Max	
Output Voltage	$V_o$	$-10.5V \geq V_{IN} \geq -23V$ $5.0mA \leq I_o \leq 1.0 A$	-7.72	-8.28	V
Line Regulation	$\Delta U_V$	$I_o = 100mA$ , $-10.5V \geq V_{IN} \geq -25V$ $I_o = 100mA$ , $-11V \geq V_{IN} \geq -17V$ $I_o = 500mA$ , $-10.5V \geq V_{IN} \geq -25V$ $I_o = 500mA$ , $-11V \geq V_{IN} \geq -17V$		76 38 152 76	mV
Load Regulation	$\Delta U_I$	$5.0mA \leq I_o \leq 1.5 A$ $250mA \leq I_o \leq 750mA$		152 76	mV
Quiescent Current	$I_B$			7.8	mA
Quiescent Current Change	$\Delta I_B$	$-10.5V \geq V_{IN} \geq -25V$ $5.0mA \leq I_o \leq 1.5 A$		0.98 0.48	mA

**ELECTRICAL CHARACTERISTICS LM7912**

 ( $V_{IN} = -19V$ ,  $I_o = 500mA$ ,  $C_{IN} = 2.2\mu F$ ,  $C_o = 1.0\mu F$ ,  $T_J = 25^\circ C$ , unless otherwise noted)

CHARACTERISTIC	SYMBOL	TEST CONDITION	NORMS		UNIT
			Min	Max	
Output Voltage	$V_o$	$-14.5V \geq V_{IN} \geq -21V$ $5.0mA \leq I_o \leq 1.0 A$	-11.52	-12.48	V
Line Regulation	$\Delta U_V$	$I_o = 100mA$ , $-14.5V \geq V_{IN} \geq -30V$ $I_o = 100mA$ , $-16V \geq V_{IN} \geq -22V$ $I_o = 500mA$ , $-14.5V \geq V_{IN} \geq -30V$ $I_o = 500mA$ , $-16V \geq V_{IN} \geq -22V$		114 58.5 228 114	mV
Load Regulation	$\Delta U_I$	$5.0mA \leq I_o \leq 1.5 A$ $250mA \leq I_o \leq 750mA$		228 114	mV
Quiescent Current	$I_B$			7.8	mA
Quiescent Current Change	$\Delta I_B$	$-14.5V \geq V_{IN} \geq -30V$ $5.0mA \leq I_o \leq 1.5 A$		1.25 0.48	mA

**ELECTRICAL CHARACTERISTICS LM7915**

( $V_{IN} = -23V$ ,  $I_o = 500mA$ ,  $C_{IN} = 2.2\mu F$ ,  $C_o = 1.0\mu F$ ,  $T_J = 25^\circ C$ , unless otherwise noted)

CHARACTERISTIC	SYMBOL	TEST CONDITION	NORMS		UNIT
			Min	Max	
Output Voltage	$V_o$	$-17.5V \geq V_{IN} \geq -30V$ $5.0mA \leq I_o \leq 1.0 A$	-14.44	-15.56	V
Line Regulation	$\Delta U_v$	$I_o = 100mA$ , $-17.5V \geq V_{IN} \geq -30V$ $I_o = 100mA$ , $-20V \geq V_{IN} \geq -26V$ $I_o = 500mA$ , $-17.5V \geq V_{IN} \geq -30V$ $I_o = 500mA$ , $-20V \geq V_{IN} \geq -26V$		142 71 285 142	mV
Load Regulation	$\Delta U_l$	$5.0mA \leq I_o \leq 1.5 A$ $250mA \leq I_o \leq 750mA$		285 142	mV
Quiescent Current	$I_B$			7.8	mA
Quiescent Current Change	$\Delta I_B$	$-17.5V \geq V_{IN} \geq -30V$ $5.0mA \leq I_o \leq 1.5 A$		0.98 0.48	mA

**ELECTRICAL CHARACTERISTICS LM7918**

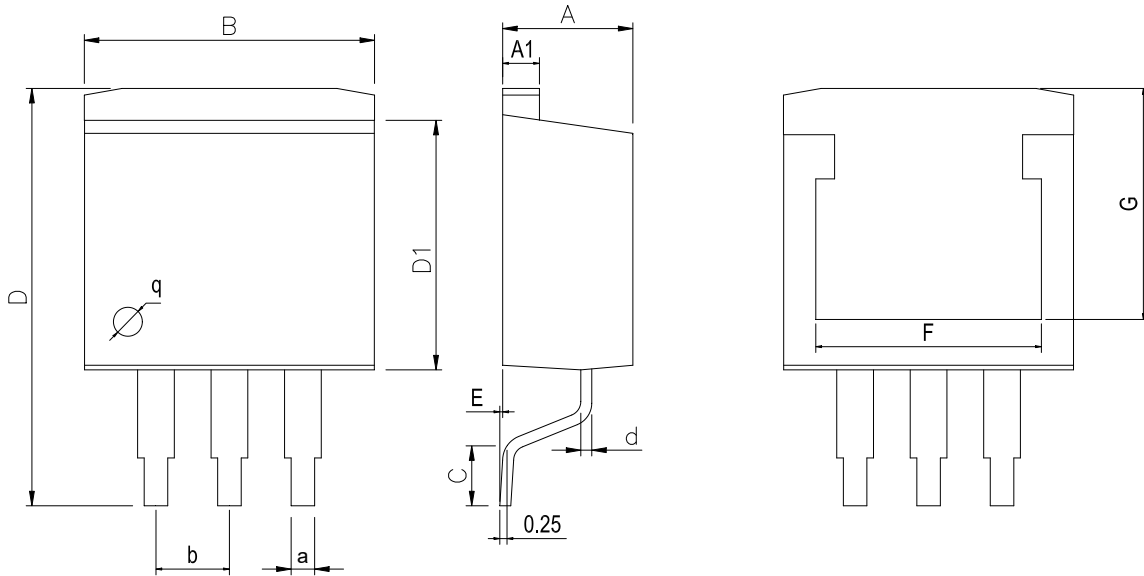
( $V_{IN} = -27V$ ,  $I_o = 500mA$ ,  $C_{IN} = 2.2\mu F$ ,  $C_o = 1.0\mu F$ ,  $T_J = 25^\circ C$ , unless otherwise noted)

CHARACTERISTIC	SYMBOL	TEST CONDITION	NORMS		UNIT
			Min	Max	
Output Voltage	$V_o$	$-21V \geq V_{IN} \geq -33V$ $5.0mA \leq I_o \leq 1.0 A$	-17.34	-18.66	V
Line Regulation	$\Delta U_v$	$I_o = 100mA$ , $-21V \geq V_{IN} \geq -33V$ $I_o = 100mA$ , $-24V \geq V_{IN} \geq -30V$ $I_o = 500mA$ , $-21V \geq V_{IN} \geq -33V$ $I_o = 500mA$ , $-24V \geq V_{IN} \geq -30V$		171 85.5 342 171	mV
Load Regulation	$\Delta U_l$	$5.0mA \leq I_o \leq 1.5 A$ $250mA \leq I_o \leq 750mA$		342 171	mV
Quiescent Current	$I_B$			7.8	mA
Quiescent Current Change	$\Delta I_B$	$-21V \geq V_{IN} \geq -33V$ $5.0mA \leq I_o \leq 1.5 A$		0.98 0.48	mA

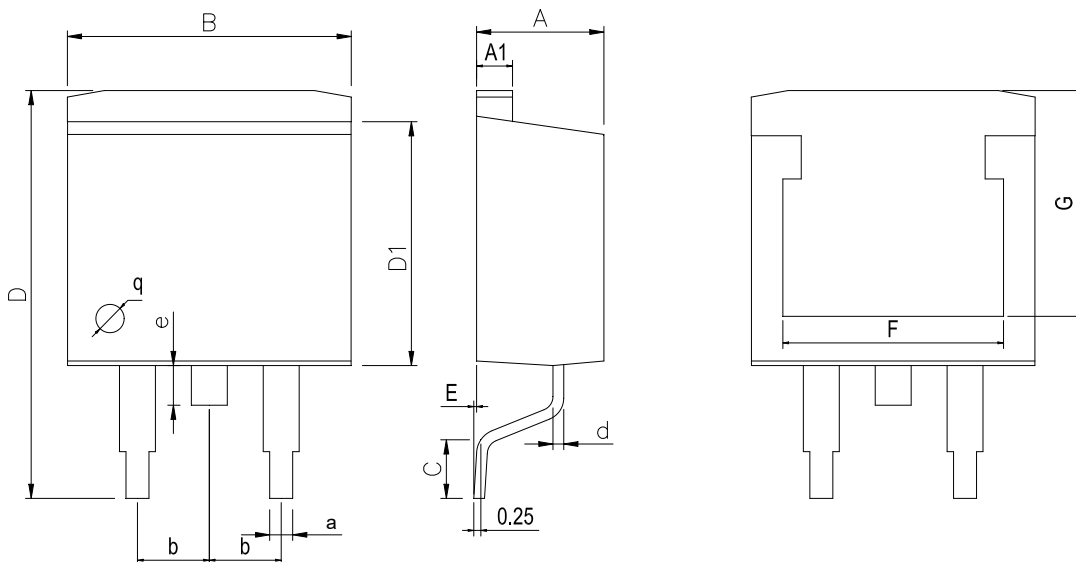
**ELECTRICAL CHARACTERISTICS LM7924**

( $V_{IN} = -33V$ ,  $I_o = 500mA$ ,  $C_{IN} = 2.2\mu F$ ,  $C_o = 1.0\mu F$ ,  $T_J = 25^\circ C$ , unless otherwise noted)

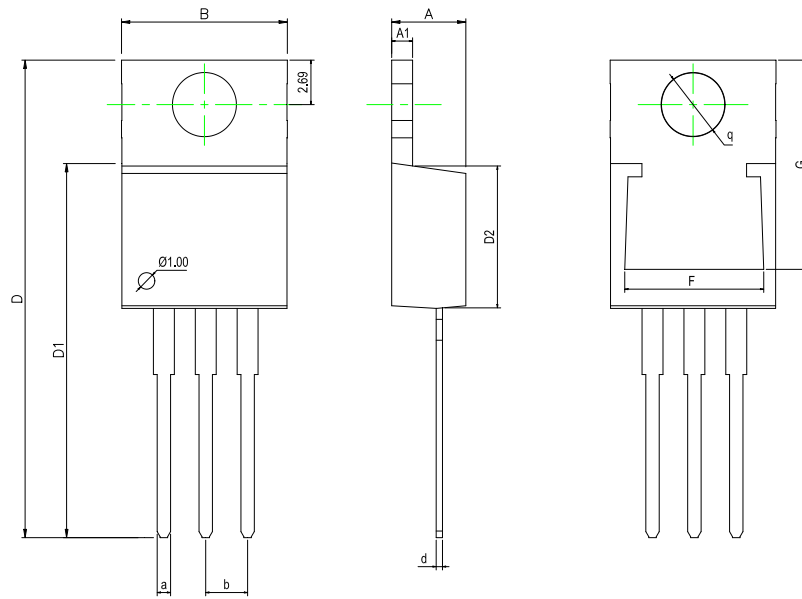
CHARACTERISTIC	SYMBOL	TEST CONDITION	NORMS		UNIT
			Min	Max	
Output Voltage	$V_o$	$-27V \geq V_{IN} \geq -38V$ $5.0mA \leq I_o \leq 1.0A$	-23.05	-24.95	V
Line Regulation	$\Delta U_v$	$I_o = 100mA$ , $-27V \geq V_{IN} \geq -38V$ $I_o = 100mA$ , $-30V \geq V_{IN} \geq -36V$ $I_o = 500mA$ , $-27V \geq V_{IN} \geq -38V$ $I_o = 500mA$ , $-30V \geq V_{IN} \geq -36V$		228 114 446 228	mV
Load Regulation	$\Delta U_l$	$5.0mA \leq I_o \leq 1.5A$ $250mA \leq I_o \leq 750mA$		446 228	mV
Quiescent Current	$I_B$			7.8	mA
Quiescent Current Change	$\Delta I_B$	$-27V \geq V_{IN} \geq -33V$ $5.0mA \leq I_o \leq 1.5A$		0.98 0.48	mA

**Physical Dimensions**
**TO263-3**

**Dimensions In Millimeters(TO263-3)**

Symbol:	A	A1	B	C	D	D1	E	F	G	a	b
Min:	4.45	1.22	10	1.89	13.7	8.38	0	8.332	7.70	0.71	2.54BSC
Max:	4.62	1.32	10.4	2.19	14.6	8.89	0.305	8.552	8.10	0.97	

**TO263-2**

**Dimensions In Millimeters(TO263-2)**

Symbol:	A	A1	B	C	D	D1	E	F	G	a	e	b
Min:	4.45	1.22	10	1.89	13.7	8.38	0	8.30	7.70	0.71	1.10	2.54BSC
Max:	4.62	1.32	10.4	2.19	14.6	8.89	0.305	8.55	8.10	0.97	1.70	

**TO220-3**


Dimensions In Millimeters(TO220-3)												
Symbol:	A	A1	B	D	D1	D2	F	G	a	d	b	q
<b>Min:</b>	4.45	1.22	10	28.2	22.22	8.50	8.30	12.55	0.71	0.33	2.54BS	3.80TYP
<b>Max:</b>	4.62	1.32	10.4	28.9	22.62	9.10	8.55	12.75	0.97	0.42	C	



**IMPORTANT STATEMENT:**

Hanschip Semiconductor reserves the right to change its products and services without notice. Before ordering, the customer shall obtain the latest relevant information and verify whether the information is up to date and complete. Hanschip Semiconductor does not assume any responsibility or obligation for the altered documents.

Customers are responsible for complying with safety standards and taking safety measures when using Hanschip Semiconductor products for system design and machine manufacturing. You will bear all the following responsibilities: select the appropriate Hanschip Semiconductor products for your application; Design, validate and test your application; Ensure that your application meets the appropriate standards and any other safety, security or other requirements. To avoid the occurrence of potential risks that may lead to personal injury or property loss.

Hanschip Semiconductor products have not been approved for applications in life support, military, aerospace and other fields, and Hanschip Semiconductor will not bear the consequences caused by the application of products in these fields. All problems, responsibilities and losses arising from the user's use beyond the applicable area of the product shall be borne by the user and have nothing to do with Hanschip Semiconductor, and the user shall not claim any compensation liability against Hanschip Semiconductor by the terms of this Agreement.

The technical and reliability data (including data sheets), design resources (including reference designs), application or other design suggestions, network tools, safety information and other resources provided for the performance of semiconductor products produced by Hanschip Semiconductor are not guaranteed to be free from defects and no warranty, express or implied, is made. The use of testing and other quality control technologies is limited to the quality assurance scope of Hanschip Semiconductor. Not all parameters of each device need to be tested.

The documentation of Hanschip Semiconductor authorizes you to use these resources only for developing the application of the product described in this document. You have no right to use any other Hanschip Semiconductor intellectual property rights or any third party intellectual property rights. It is strictly forbidden to make other copies or displays of these resources. You should fully compensate Hanschip Semiconductor and its agents for any claims, damages, costs, losses and debts caused by the use of these resources. Hanschip Semiconductor accepts no liability for any loss or damage caused by infringement.

单击下面可查看定价，库存，交付和生命周期等信息

[>>HGC\(深圳汉芯\)](#)