

## CMOS general purpose timer

### General Description

The TLC555 is CMOS RC timers providing significantly improved performance over the standard SE/NE555 and 355 timers, while at the same time being direct replacements for those devices in most applications. Improved parameters include low supply current, wide operating supply voltage range, low THRESHOLD, TRIGGER and RESET currents, no crowbaring of the supply current during output transitions, higher frequency performance and no requirement to decouple CONTROL VOLTAGE for stable operation. Specifically, the TLC555 is stable controller capable of producing accurate time delays of frequencies.

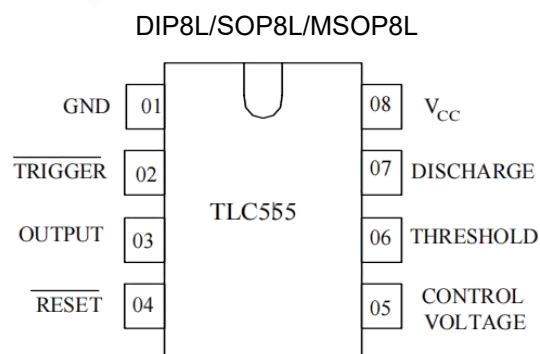
### Features

- Exact equivalent in most cases for SE/NE555.
- Low Supply Current.
- High speed operation – 500 kHz guaranteed.
- Wide operation supply voltage range – 2 to 18 volts.
- Timing from microseconds through hours.
- Operates in both astable and monostable modes.
- Adjustable duty cycle.
- High output source/sink driver can drive TTL/CMOS

### ORDERING INFORMATION

| DEVICE      | Package Type | MARKING | Packing | Packing Qty  |
|-------------|--------------|---------|---------|--------------|
| TLC555PG    | DIP8L        | TLC555  | TUBE    | 2000pcs/box  |
| TLC555DRG   | SOP8L        | TLC555  | REEL    | 2500pcs/reel |
| TLC555DGKRG | MSOP8L       | C555    | REEL    | 3000pcs/reel |

### PIN ASSIGNMENT



**TRUTH TABLE**

| THRESHOLD      | TRIGGER        | RESET | OUTPUT | DISCHARGE |
|----------------|----------------|-------|--------|-----------|
| X              | X              | L     | L      | ON        |
| $> 2/3 V_{CC}$ | $> 1/3 V_{CC}$ | H     | L      | ON        |
| $< 2/3 V_{CC}$ | $> 1/3 V_{CC}$ | H     | STABLE | STABLE    |
| X              | $< 1/3 V_{CC}$ | H     | H      | OFF       |

**MAXIMUM RATINGS AND RECOMMENDED OPERATING CONDITIONS**

| Parameter, unit                                     | Symbol   | Recommended operating conditions |      | Maximum ratings |                      |
|---|--|----------------------------------|------|-----------------|----------------------|
|   |  | Value                            |      | Value           |                      |
|   |  | min                              | max  | min             | max                  |
| Supply Voltage, V                                   | V <sub>CC</sub>  | 2.0                              | 18.0 | 0               | 18.0                 |
| Output Current, mA                                  | I <sub>o</sub>   | -                                | 20   | -               | 100                  |
| Input Voltage, V                                    | V <sub>TH</sub> , V <sub>TRIG</sub> , V <sub>RST</sub> | -                                | -    | -0.3            | V <sub>CC</sub> +0.3 |
| Power Dissipation, mW                               | P <sub>D</sub>   | -                                | -    | -               | 200                  |
| Operating Temperature, °C                           | T <sub>OPR</sub>                                       | -20                              | 70   | -20             | 85                   |
| Storage Temperature, °C                             | T <sub>STG</sub>                                       | -                                | -    | -65             | 150                  |
| Lead Temperature, 1 mm from Case for 10 Seconds, °C | T <sub>SOLDER</sub>                                    | -                                | -    | -               | 260                  |

**DC ELECTRICAL CHARACTERISTICS** (Voltages Referenced to GND)

| Parameter, units        | Symbol            | Test Conditions                   |                     | Value                |                      | Temperature, °C |
|-------------------------|-------------------|-----------------------------------|---------------------|----------------------|----------------------|-----------------|
|                         |                   | I <sub>OL</sub> , I <sub>OH</sub> | V <sub>CC</sub> , B | min                  | max                  |                 |
| Threshold Voltage, V    | V <sub>TH</sub>   |                                   | 5.0                 | 0.65 V <sub>CC</sub> | 0.70 V <sub>CC</sub> | 25 10           |
|                         |                   |                                   |                     | 0.60 V <sub>CC</sub> | 0.80 V <sub>CC</sub> | -20, 70         |
| Trigger voltage, V      | V <sub>TRIG</sub> |                                   | 5.0                 | 0.31 V <sub>CC</sub> | 0.36 V <sub>CC</sub> | 25 10           |
|                         |                   |                                   |                     | 0.28 V <sub>CC</sub> | 0.40 V <sub>CC</sub> | -20, 70         |
| Reset voltage, V        | V <sub>RST</sub>  |                                   | 2.0                 | 0.4                  | 1.0                  | 25±10           |
|                         |                   |                                   | 18.0                |                      |                      |                 |
|                         |                   |                                   | 2.0                 | 0.2                  | 1.5                  | -20, 70         |
|                         |                   |                                   | 18.0                |                      |                      |                 |
| Control Voltage Lead, V | V <sub>CV</sub>   |                                   |                     | 0.65 V <sub>CC</sub> | 0.69 V <sub>CC</sub> | 25 10           |
|                         |                   |                                   |                     | 0.60 V <sub>CC</sub> | 0.80 V <sub>CC</sub> | -20, 70         |
| Output voltage Low, V   | V <sub>OL</sub>   | I <sub>OL</sub> = 3.2 mA          | 5.0                 |                      | 0.4                  | 25±10           |
|                         |                   | I <sub>OL</sub> = 20 mA           | 15.0                |                      | 1.0                  |                 |
|                         |                   | I <sub>OL</sub> = 3.2 mA          | 5.0                 |                      | 0.6                  | -20, 70         |
|                         |                   | I <sub>OL</sub> = 20 mA           | 15.0                |                      | 1.5                  |                 |
| Output voltage High, V  | V <sub>OH</sub>   | I <sub>OH</sub> = -0.8 mA         | 5.0                 | 4.0                  |                      | 25±10           |
|                         |                   |                                   | 15.0                | 14.3                 |                      |                 |
|                         |                   |                                   | 5.0                 | 3.5                  |                      | -20, 70         |
|                         |                   |                                   | 15.0                | 14.0                 |                      |                 |
| Supply Current, µA      | I <sub>CC</sub>   |                                   | 2.0                 |                      | 200                  | 25±10           |
|                         |                   |                                   | 18.0                |                      | 300                  |                 |
|                         |                   |                                   | 2.0                 |                      | 400                  | -20, 70         |
|                         |                   |                                   | 18.0                |                      | 600                  |                 |

**AC ELECTRICAL CHARACTERISTICS**

| Parameter, unit                | Symbol           | Test Conditions                              |              | Value      |           | Temperature, °C  |
|--------------------------------|------------------|--|--------------|------------|-----------|------------------|
|                                |                  | $R_L, C_L$                                   | $V_{CC}, V$  | Min        | Max       |                  |
| Rise (Fall) Time of Output, ns | $t_{HL}, t_{LH}$ | $R_L = 10 M\ \Omega, C_L = 10\ pF$           | 5.0          | 35<br>70   | 75<br>150 | 25 10<br>-20, 70 |
| Guaranteed Max Osc Freq, kHz   | $f_{MAX}$        | Astable Operation                            | 2.0-<br>18.0 | 500<br>200 |           | 25 10<br>-20, 70 |
| Initial accuracy, %            |                  |  |              | 5          |           |                  |
| Drift with Temperature, %/°C   | of               | $R_L = 1 - 100\ k\ \Omega, C_L = 0.1\ \mu F$ | 5.0          |            | 0.02      | -20, 70          |
|                                |                  |  | 10.0         |            | 0.03      |                  |
|                                |                  |  | 15.0         |            | 0.06      |                  |
| Drift with Supply Voltage, %/B | $\Delta f$       |  | 5.0          |            | 3<br>6    | 25 10<br>-20, 70 |

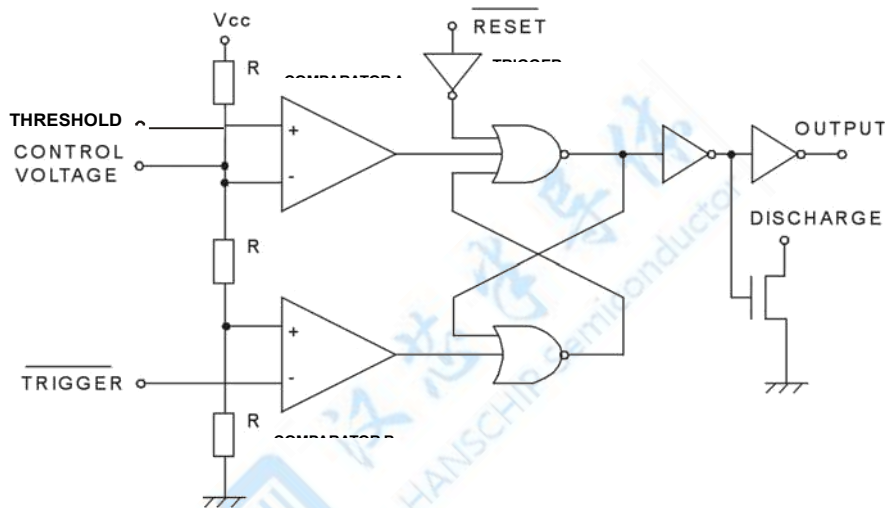


Figura 1. Block Diagram

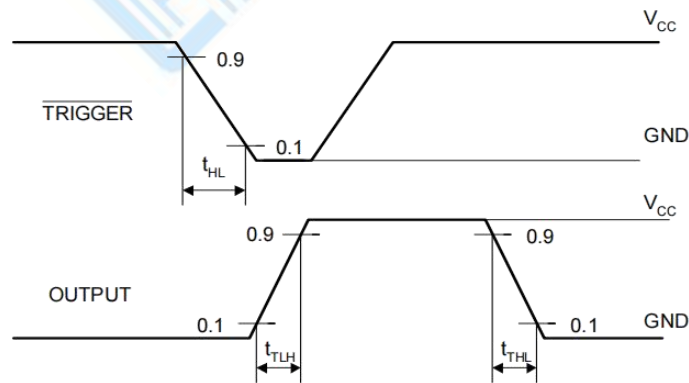
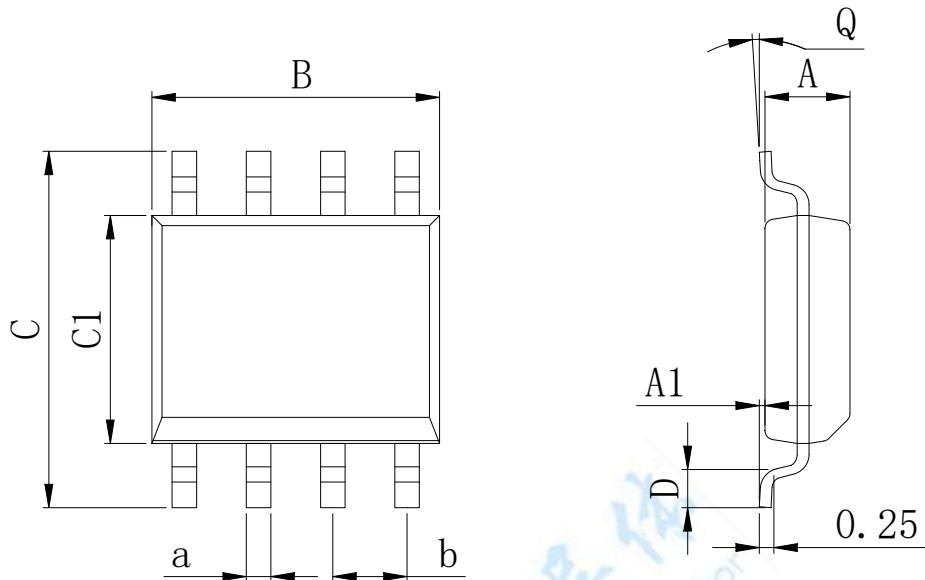


Figura 2. Switching Waveforms

## Physical Dimensions

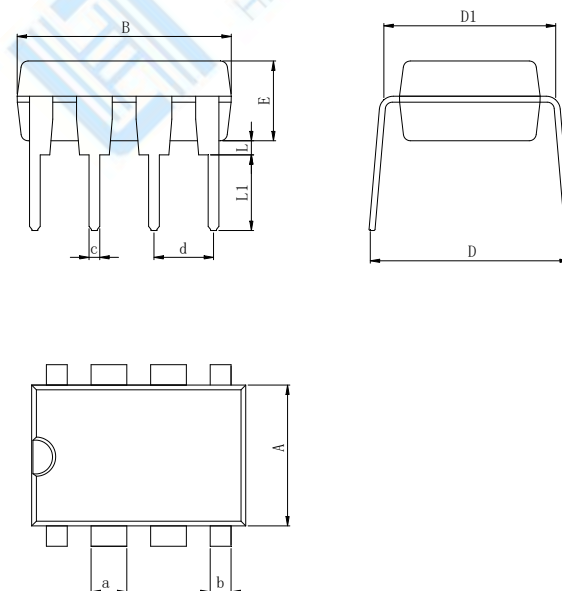
SOP8 (150mil)



**Dimensions In Millimeters(SOP8)**

| Symbol: | A    | A1   | B    | C    | C1   | D    | Q  | a    | b        |
|---------|------|------|------|------|------|------|----|------|----------|
| Min:    | 1.35 | 0.05 | 4.90 | 5.80 | 3.80 | 0.40 | 0° | 0.35 | 1.27 BSC |
| Max:    | 1.55 | 0.20 | 5.10 | 6.20 | 4.00 | 0.80 | 8° | 0.45 |          |

DIP8

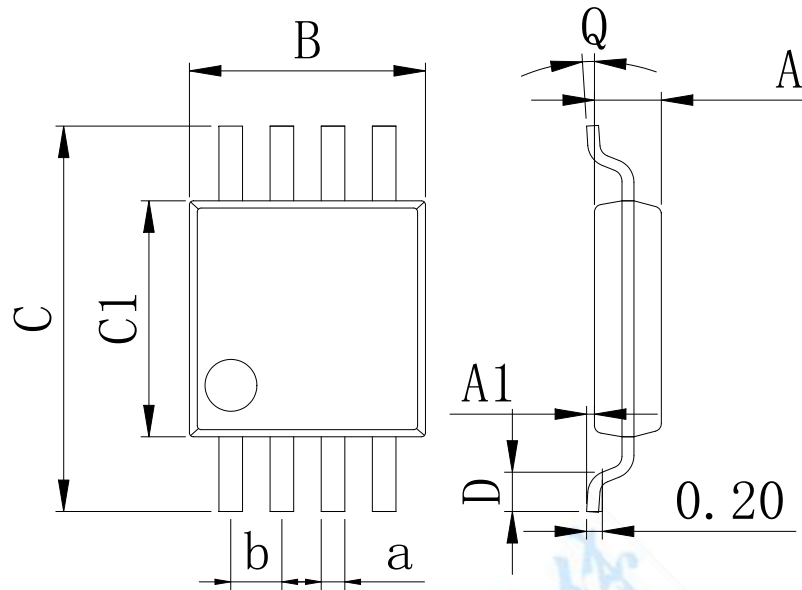


**Dimensions In Millimeters(DIP8)**

| Symbol: | A    | B    | D    | D1   | E    | L    | L1   | a    | b    | c    | d        |
|---------|------|------|------|------|------|------|------|------|------|------|----------|
| Min:    | 6.10 | 9.00 | 8.40 | 7.42 | 3.10 | 0.50 | 3.00 | 1.50 | 0.85 | 0.40 | 2.54 BSC |
| Max:    | 6.68 | 9.50 | 9.00 | 7.82 | 3.55 | 0.70 | 3.60 | 1.55 | 0.90 | 0.50 |          |

**Physical Dimensions**

MSOP8


**Dimensions In Millimeters(MSOP8)**

| Symbol: | A    | A1   | B    | C    | C1   | D    | Q  | a    | b        |
|---------|------|------|------|------|------|------|----|------|----------|
| Min:    | 0.80 | 0.05 | 2.90 | 4.75 | 2.90 | 0.35 | 0° | 0.25 | 0.65 BSC |
| Max:    | 0.90 | 0.20 | 3.10 | 5.05 | 3.10 | 0.75 | 8° | 0.35 |          |

---

**IMPORTANT STATEMENT:**

**Shenzhen Hanschip semiconductor co.,ltd. reserves the right to change the products and services provided without notice. Customers should obtain the latest relevant information before ordering, and verify the timeliness and accuracy of this information.**

**Customers are responsible for complying with safety standards and taking safety measures when using our products for system design and machine manufacturing to avoid potential risks that may result in personal injury or property damage.**

**Our products are not licensed for applications in life support, military, aerospace, etc., so we do not bear the consequences of the application of these products in these fields.**

**Our documentation is only permitted to be copied without any tampering with the content, so we do not accept any responsibility or liability for the altered documents.**

单击下面可查看定价，库存，交付和生命周期等信息

[>>HGC\(深圳汉芯\)](#)