

ABSOLUTE MAXIMUM RATINGS

Supply Voltage Pin	9V
Power Dissipation ⁽⁴⁾	1100 mW
V ₈	15V
V ₃	-10V
V ₃	V ₄ + 0.5V
Storage Temperature Range	-65°C to +150°C
Operating Temperature Range	0°C to +70°C
Soldering Information	
PDIP Package	
Soldering (10 sec.)	260°C
SOIC Package	
Vapor Phase (60 sec.)	215°C
Infrared (15 sec.)	220°C

- (1) Absolute Maximum Ratings indicate limits beyond which damage to the device may occur. Operating Ratings indicate conditions for which the device is functional, but do not ensure specific performance limits. Electrical Characteristics state DC and AC electrical specifications under particular test conditions which ensure specific performance limits. This assumes that the device is within the Operating Ratings. Specifications are not ensured for parameters where no limit is given, however, the typical value is a good indication of device performance.
- (2) If Military/Aerospace specified devices are required, please contact the Texas Instruments Sales Office/Distributors for availability and specifications.
- (3) The maximum junction temperature of the LM567 and LM567C is 150°C. For operating at elevated temperatures, devices in the TO-5 package must be derated based on a thermal resistance of 150°C/W, junction to ambient or 45°C/W, junction to case. For the DIP the device must be derated based on a thermal resistance of 110°C/W, junction to ambient. For the SOIC package, the device must be derated based on a thermal resistance of 160°C/W, junction to ambient.

ELECTRICAL CHARACTERISTICS

AC Test Circuit, TA = 25°C, V+ = 5V

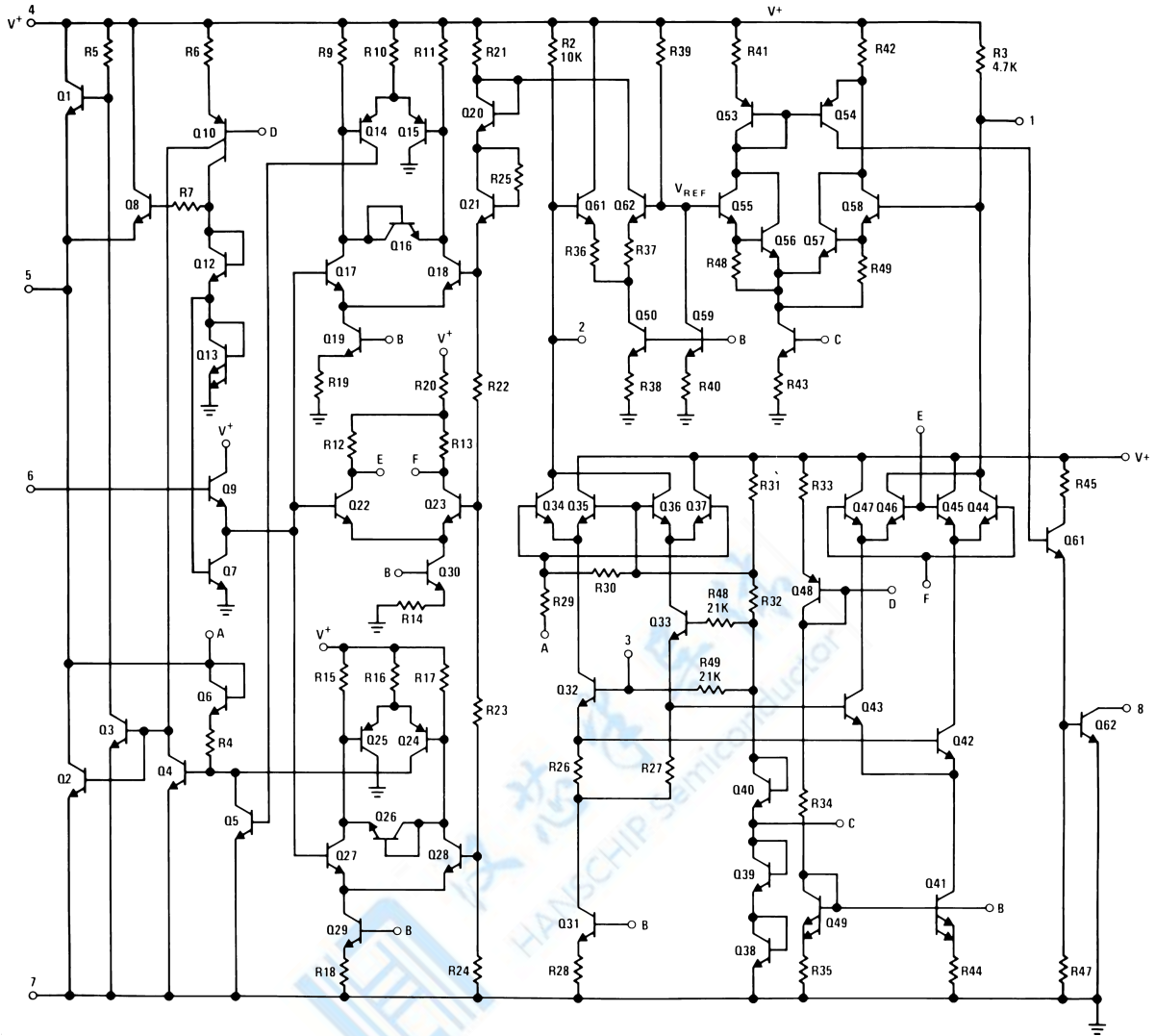
Parameters	Conditions	LM567			LM567C			Units
		Min	Typ	Max	Min	Typ	Max	
Power Supply Voltage Range		4.75	5.0	9.0	4.75	5.0	9.0	V
Power Supply Current Quiescent	R _L = 20k		6	8		7	10	mA
Power Supply Current Activated	R _L = 20k		11	13		12	15	mA
Input Resistance		18	20		15	20		kΩ
Smallest Detectable Input Voltage	I _L = 100 mA, f _i = f _o		20	25		20	25	mVrms
Largest No Output Input Voltage	I _c = 100 mA, f _i = f _o	10	15		10	15		mVrms
Largest Simultaneous Outband Signal to Inband Signal Ratio			6			6		dB
Minimum Input Signal to Wideband Noise Ratio	B _n = 140 kHz		-6			-6		dB
Largest Detection Bandwidth		12	14	16	10	14	18	% of f _o
Largest Detection Bandwidth Skew			1	2		2	3	% of f _o
Largest Detection Bandwidth Variation with Temperature			±0.1			±0.1		%/°C
Largest Detection Bandwidth Variation with Supply Voltage	4.75–6.75V		±1	±2		±1	±5	%V
Highest Center Frequency		100	500		100	500		kHz

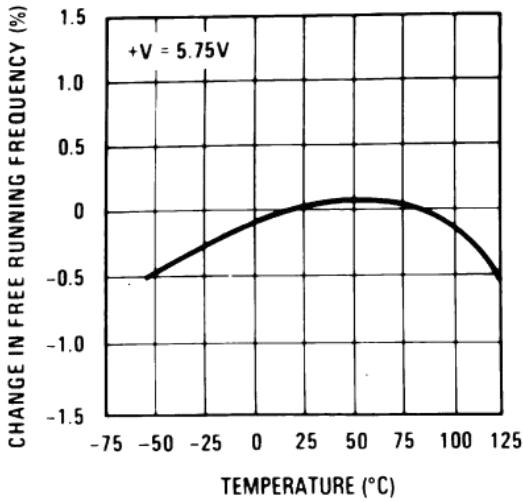
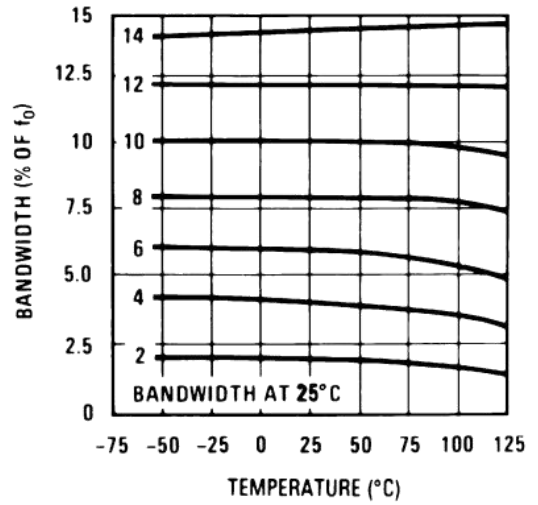
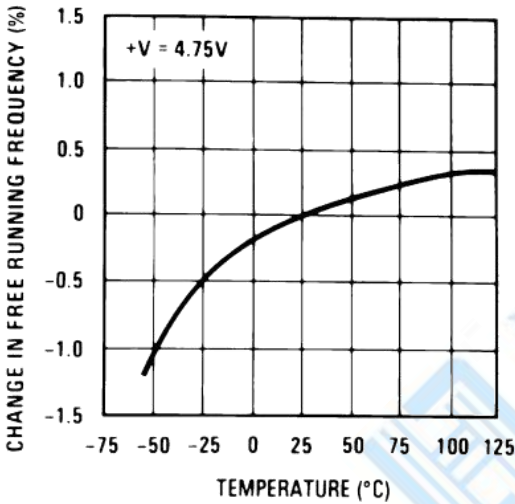
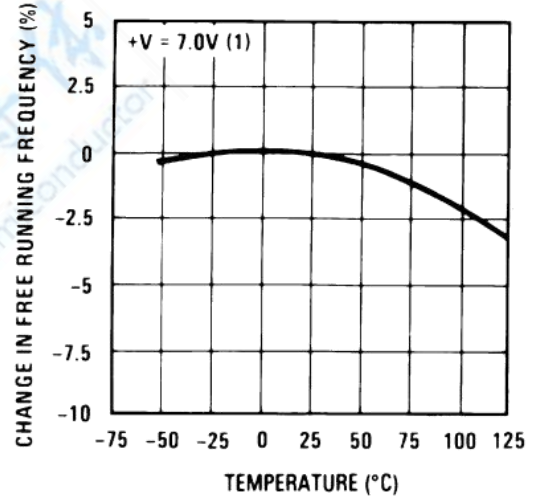
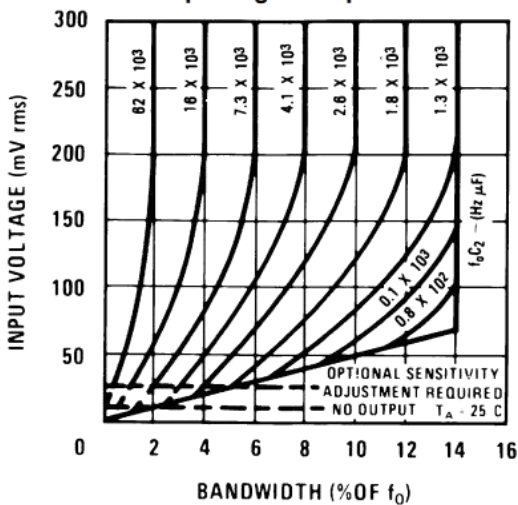
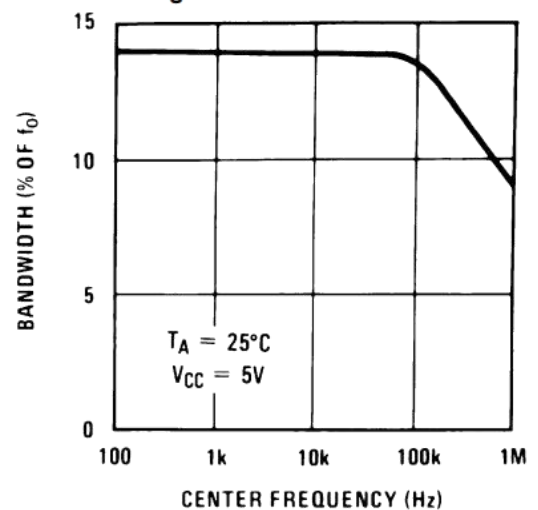
ELECTRICAL CHARACTERISTICS (continued)

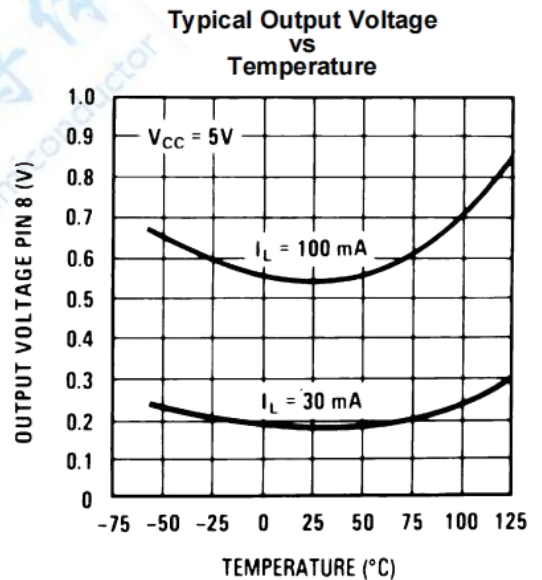
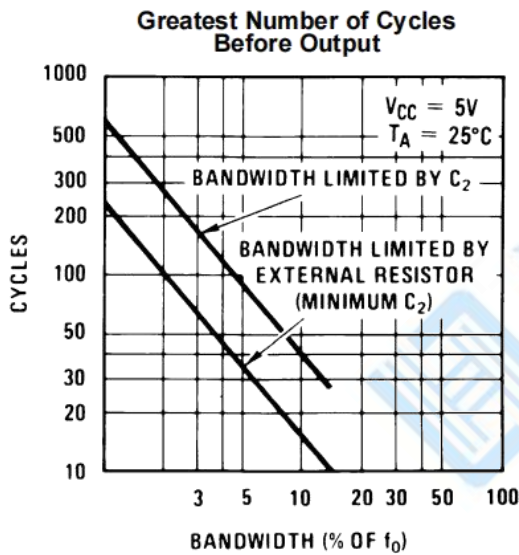
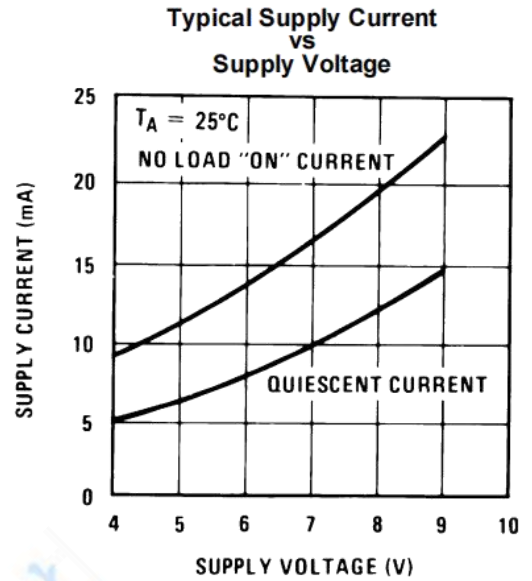
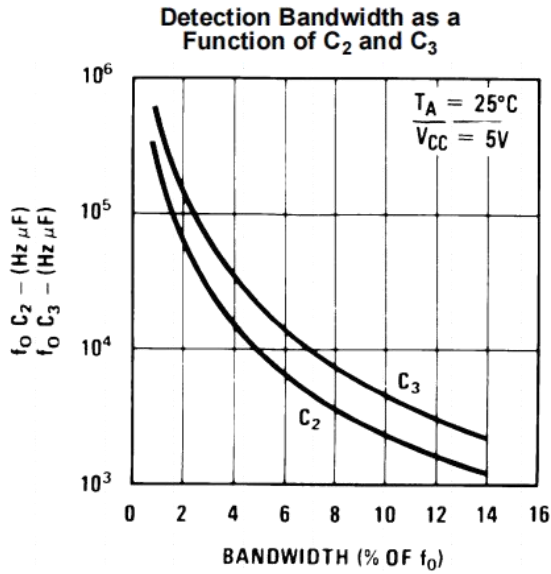
 AC Test Circuit, $T_A = 25^\circ\text{C}$, $V_+ = 5\text{V}$

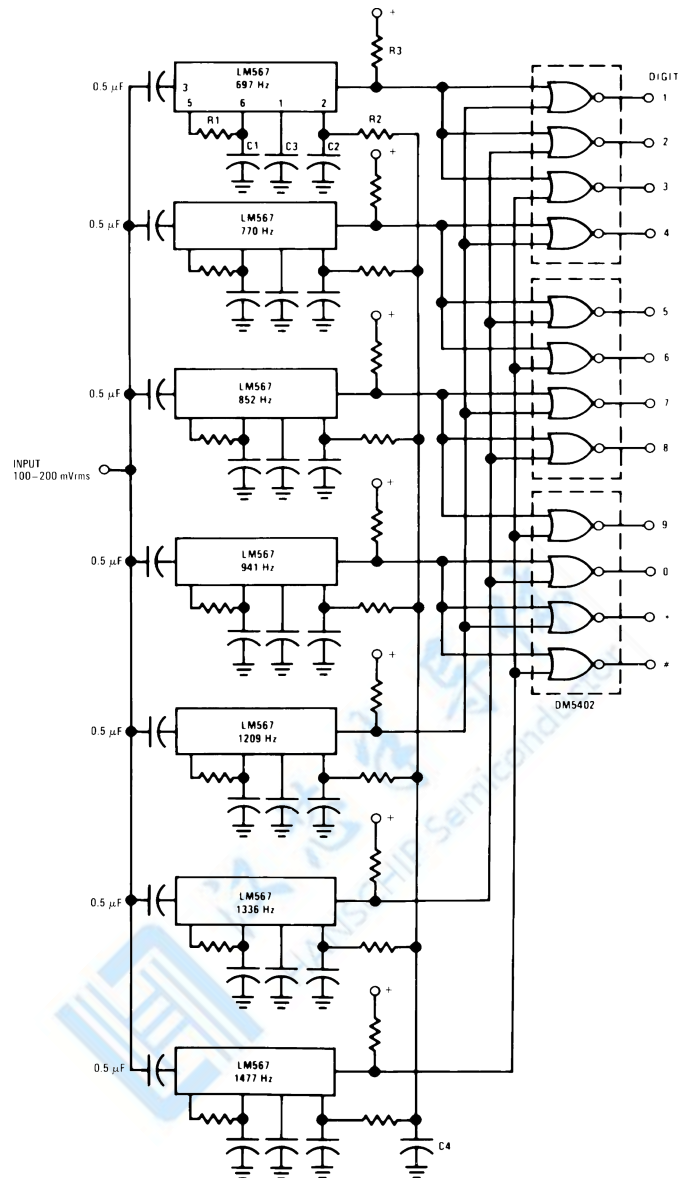
Parameters	Conditions	LM567			LM567C			Units
		Min	Typ	Max	Min	Typ	Max	
Center Frequency Stability (4.75–5.75V)	$0 < T_A < 70$		35 ± 60			35 ± 60		ppm/ $^\circ\text{C}$
	$-55 < T_A < +125$		35 ± 140			35 ± 140		ppm/ $^\circ\text{C}$
Center Frequency Shift with Supply Voltage	4.75V–6.75V		0.5	1.0		0.4	2.0	%/V
	4.75V–9V			2.0			2.0	%/V
Fastest ON-OFF Cycling Rate			$f_o/20$			$f_o/20$		
Output Leakage Current	$V_B = 15\text{V}$		0.01	25		0.01	25	μA
Output Saturation Voltage	$e_i = 25\text{ mV}$, $I_B = 30\text{ mA}$		0.2	0.4		0.2	0.4	V
	$e_i = 25\text{ mV}$, $I_B = 100\text{ mA}$		0.6	1.0		0.6	1.0	
Output Fall Time			30			30		ns
Output Rise Time			150			150		ns



SCHEMATIC DIAGRAM


TYPICAL PERFORMANCE CHARACTERISTICS
Typical Frequency Drift

Typical Bandwidth Variation

Typical Frequency Drift

Typical Frequency Drift

Bandwidth vs Input Signal Amplitude

Largest Detection Bandwidth


TYPICAL PERFORMANCE CHARACTERISTICS (continued)


TYPICAL APPLICATIONS


Component values (typ)

R1 6.8 to 15k

R2 4.7k

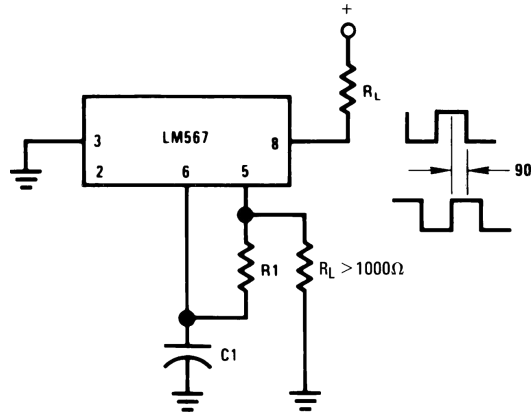
R3 20k

C1 0.10 mfd

C2 1.0 mfd 6V

C3 2.2 mfd 6V

C4 250 mfd 6V



Connect Pin 3 to 2.8V to Invert Output

Figure 14. Oscillator with Quadrature Output

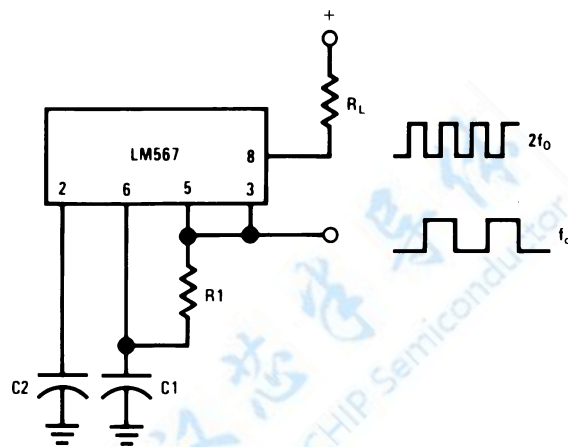


Figure 15. Oscillator with Double Frequency Output

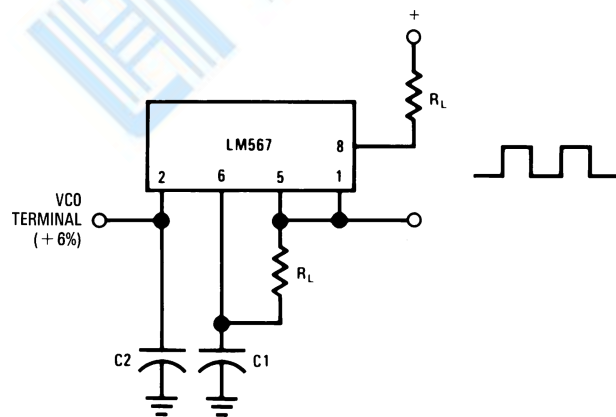
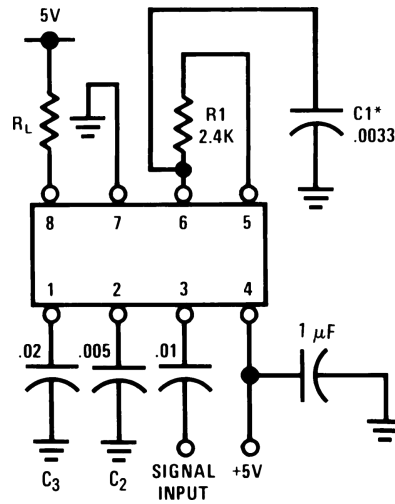


Figure 16. Precision Oscillator Drive 100 mA Loads

AC TEST CIRCUIT


$f_i = 100 \text{ kHz} + 5V$

*Note: Adjust for $f_o = 100 \text{ kHz}$.

APPLICATIONS INFORMATION

The center frequency of the tone decoder is equal to the free running frequency of the VCO. This is given by

$$f_o \cong \frac{1}{1.1 R_1 C_1}$$

The bandwidth of the filter may be found from the approximation

$$BW = 1070 \sqrt{\frac{V_i}{f_o C_2}} \text{ in \% of } f_o$$

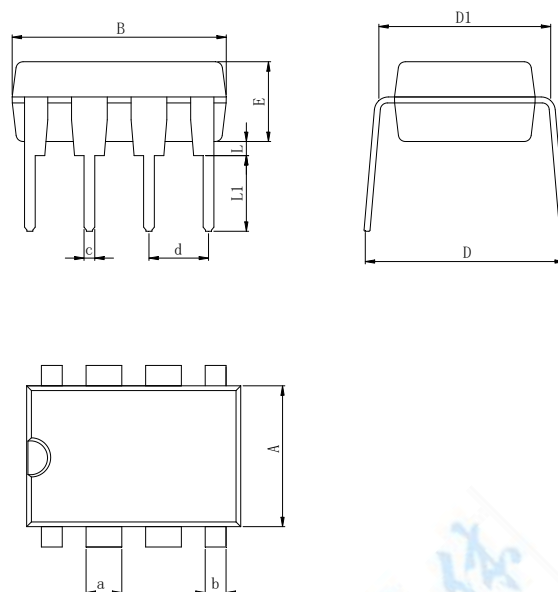
where

V_i = Input voltage (volts rms), $V_i \leq 200\text{mV}$

C_2 = Capacitance at Pin 2(μF)

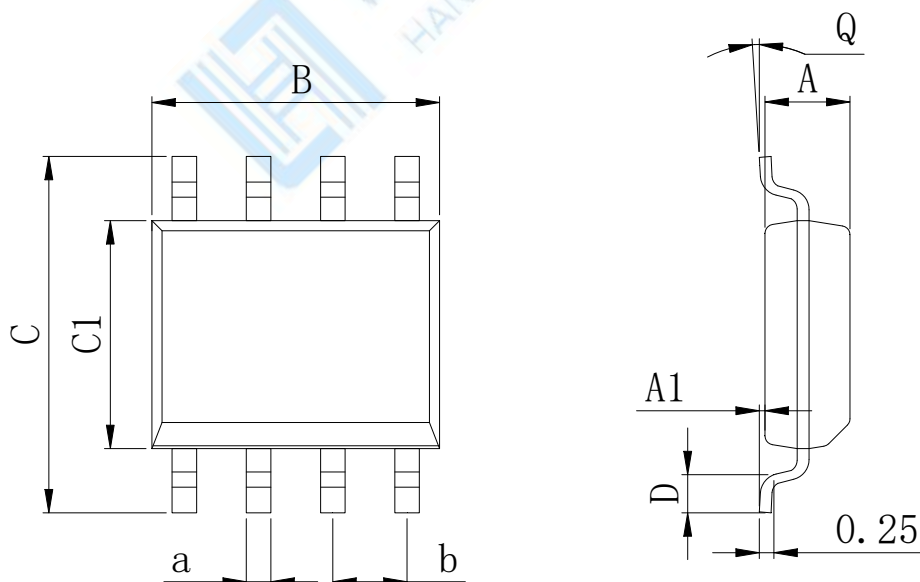
Physical Dimensions

DIP8


Dimensions In Millimeters(DIP8L)

Symbol:	A	B	D	D1	E	L	L1	a	b	c	d
Min:	6.10	9.00	8.40	7.42	3.10	0.50	3.00	1.50	0.85	0.40	2.54 BSC
Max:	6.68	9.50	9.00	7.82	3.55	0.70	3.60	1.55	0.90	0.50	

SOP8 (150mil)


Dimensions In Millimeters(SOP8)

Symbol:	A	A1	B	C	C1	D	Q	a	b
Min:	1.35	0.05	4.90	5.80	3.80	0.40	0°	0.35	1.27 BSC
Max:	1.55	0.20	5.10	6.20	4.00	0.80	8°	0.45	

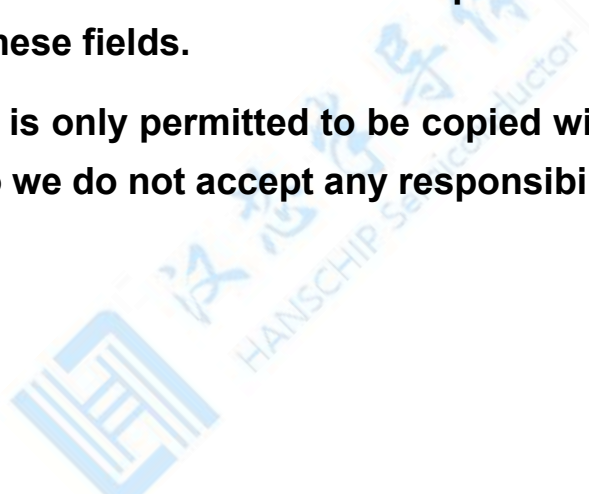
IMPORTANT STATEMENT:

Shenzhen Hanschip semiconductor co.,ltd. reserves the right to change the products and services provided without notice. Customers should obtain the latest relevant information before ordering, and verify the timeliness and accuracy of this information.

Customers are responsible for complying with safety standards and taking safety measures when using our products for system design and machine manufacturing to avoid potential risks that may result in personal injury or property damage.

Our products are not licensed for applications in life support, military, aerospace, etc., so we do not bear the consequences of the application of these products in these fields.

Our documentation is only permitted to be copied without any tampering with the content, so we do not accept any responsibility or liability for the altered documents.



单击下面可查看定价，库存，交付和生命周期等信息

[>>HGC\(深圳汉芯\)](#)