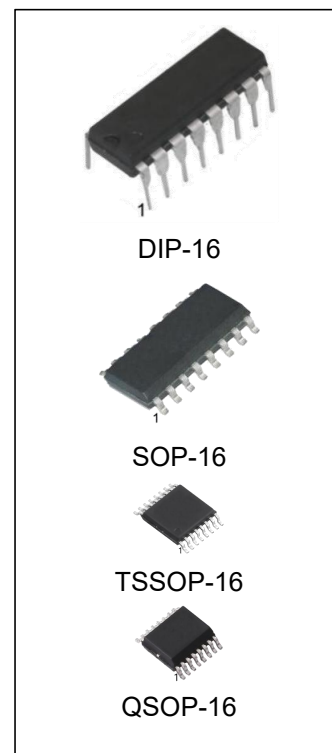


SWITCHMODE PULSE WIDTH MODULATION CONTROL CIRCUIT

Features

- Complete Pulse Width Modulation Control Circuitry
- On– Chip Oscillator with Master or Slave Operation
- On– Chip Error Amplifiers
- On– Chip 5.0 V Reference
- Adjustable Deadtime Control
- Uncommitted Output Transistors Rated to 500 mA Source or Sink
- Output Control for Push– Pull or Single– Ended Operation
- Undervoltage Lockout



Ordering Information

DEVICE	Package Type	MARKING	Packing	Packing Qty
TL494CN	DIP-16	TL494C	TUBE	1000pcs/box
TL494CM/TR	SOP-16	TL494C	REEL	2500pcs/reel
TL494CMT/TR	TSSOP-16	TL494C	REEL	2500pcs/reel
TL494CMS/TR	QSOP-16	TL494C	REEL	2500pcs/reel
TL494IN	DIP-16	TL494I	TUBE	1000pcs/box
TL494IM/TR	SOP-16	TL494I	REEL	2500pcs/reel
TL494IMT/TR	TSSOP-16	TL494I	REEL	2500pcs/reel
TL494IMS/TR	QSOP-16	TL494I	REEL	2500pcs/reel

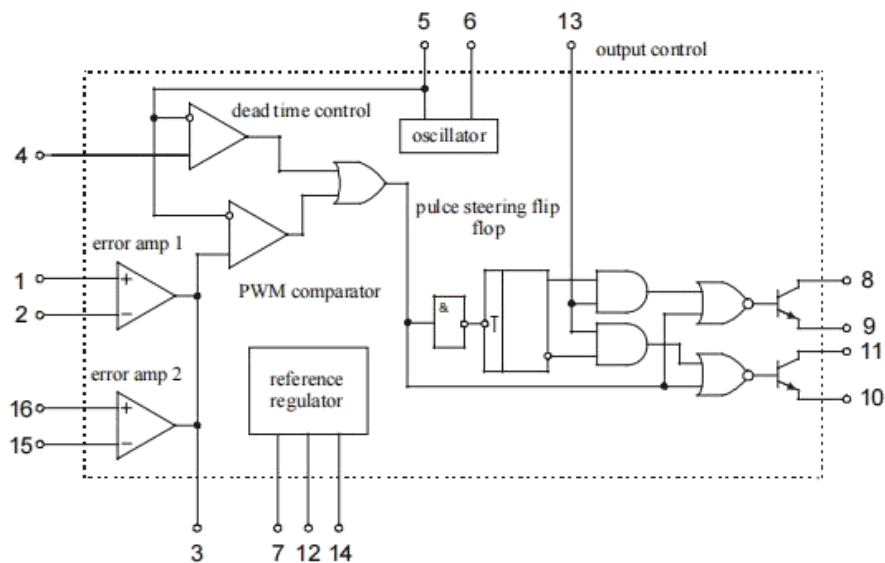
DESCRIPTION

The TL494 is a fixed frequency, pulse width modulation control circuit designed primarily for SWITCHMODE power supply control.

PIN ASSIGNMENT

noninv. input	1	16	noninv. input
inv. input	2	15	inv. input
feedback	3	14	ref. output
dead time control	4	13	output control
C_T	5	12	V_{CC}
R_T	6	11	collector 2
gnd	7	10	emitter 2
collector 1	8	9	emitter 1

LOGIC DIAGRAM



Pin 7 = GND
Pin 12 = V_{CC}

Maximum And Recommended Operating Conditions

Symbol	Parameter		Recommended operating conditions		Maximum ratings		Unit
			Min	Max	Min	Max	
V _{CC}	Supply Voltage		7	40		41	V
V _I	Amplifier Input Voltage		-0.3	V _{CC} -2		V _{CC} +0.3	V
V _O	Collector Output Voltage			40		41	V
I _{OC}	Collector Output Current(Each Transistor)			200		250	mA
T _{STG}	Storage Temperature Range				-65	150	°C
T _A	Operating Free-Air Temperature Range	TL494C	0	70			°C
		TL494I	-40	85			°C
T _L	Lead Temperature (Soldering, 10 seconds)				-	245	°C

Note: Absolute Maximum Ratings indicate limits beyond which damage to the device may occur. Operating Ratings indicate conditions for which the device is intended to be functional, but specific performance is not ensured.

ELECTRICAL CHARACTERISTICS

(TA= -40~+85°C, f =10kHz)

Symbol	Parameter	Test Conditions	Value		Temperature, °C	Unit
			Min	Max		
Vref	Output voltage	I ₀ =1.0mA, V _{CC} =15V	4.75	5.25	-40~+85	V
U _{regin}	Input regulation	V _{CC} =7~40V, I ₀ =1.0mA	-	25	25	mV
U _{regout}	Output regulation	I ₀ =1~10 mA, V _{CC} =15V	-	15	25	mV
Vref	Output voltage change with temperature	I ₀ =1mA, V _{CC} =15V	-	1.0	-40~+85	%
ISC	Short circuit output current	V _{ref} =0, t _{sc} < 1s V _{CC} =15V	-	50		mA
f _{osc}	Frequency	C=0.01uF, R=12k V _{CC} =15V, V ₍₀₃₎ =0.7V	6.0	14		kHz
f _{osc}	Standard Deviation of Frequency *	V _{CC} =15V, V ₍₀₃₎ =0.7V	-	15		%
f _{osc} (ΔV)	Frequency Change with Voltage	V _{CC} =7~40V, V ₍₀₃₎ =0.7V	-	10	25	%
f _{osc} (ΔT)	Frequency Change with Temperature	C=0.01uF, R _T =12k V _{CC} =15V, V ₍₀₃₎ =0.7V	-	2.0		%
I _I (2T)	Input bias current (pin 4)	V _I =0...5.25V, V _{CC} =15V V ₍₀₃₎ =0.7V	-	-10		A
DC _{max}	Maximum duty cycle (each output)	V _I (04)=0V, V _{CC} =15V V ₍₀₃₎ =0.7V	45	-	-40~+85	%
V _{THD1}	Input threshold voltage (pin 4) (Zero Duty Cycle)	DC _{max} =0, V _{CC} =15V V ₍₀₃₎ =0.7V	-	3,3		V
V _{THD2}	Input threshold voltage (pin 4) (Maximum Duty Cycle)	DC _{max} V _{CC} =15V, V ₍₀₃₎ =0.7V	0	-		V
t _{rc}	Output voltage risetime (Common- Emitter)	V _{CC} =15V, V ₍₀₃₎ =2.0V	-	200	-40~+85	ns
t _{fc}	Output voltage falltime (Common- Emitter)	V _{CC} =15V, V ₍₀₃₎ =2.0V	-	100		ns
t _{rf}	Output voltage risetime (Emitter- Follower)	V _{CC} =V _C =15V, V ₍₀₃₎ =2.0V	-	200		ns
t _{ff}	Output voltage falltime (Emitter- Follower)	V _{CC} =V _C =15V, V ₍₀₃₎ =2.0V	-	100		ns
V _{THP}	Input threshold voltage (pin 3)	DC _{max} =0, V _{CC} =15V	-	4.5	-40~+85	V
I _i	Input sink current (pin 3)	V _{CC} =15V, V ₍₀₃₎ =0.7V	0.3	-		mA
V _{IO}	Input offset voltage	V _{CC} =15V, V _{O(03)} =2.5V	-	10		mV

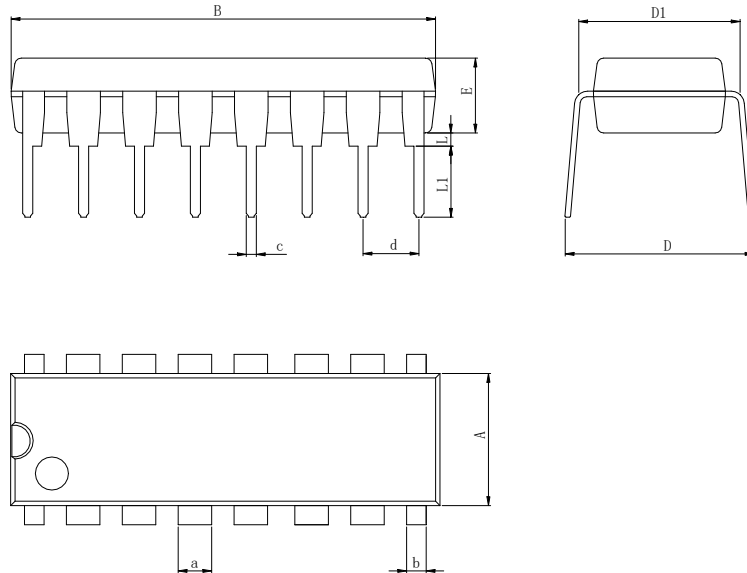
I _{IO}	Input offset current	V _{CC} =15V, V _{O(03)} =2.5V	-	250		nA
I _{IB}	Input bias current	V _{CC} =15V, V _{O(03)} =2.5V	-	1		A
V _{ICRL}	Low Input common mode voltage range	V _{CC} =7~40V	-0.3	-		V
V _{ICRH}	High Input common mode voltage range	V _{CC} =7~40V	V _{CC} -2	-		V
A _{VOL}	Open loop voltage amplification	V _O =3V, V _{CC} =15V V _O =0.5~3.5V	70	-		dB
f _b	Unity-gainbandwidth	V _{CC} =15V	100	-		kHz
CMRR	Common mode rejection ratio	V _{CC} =40V	65	-	25	dB
I _{OL}	Output sink current(pin 3)	V _{CC} =15V, V _{O(03)} =0.7V	0.3	-		mA
I _{OH}	Output sourcecurrent (pin 3)	V _{CC} =15V, V _{O(03)} =3.5V	-2.0		-40~+85	mA
I _{C(off)}	Collector off-state current	V _{CE} =V _{CC} =40V	-	100		A
I _{E(off)}	Emitter off-state current	V _{CC} =V _C =40V, V _E =0V	-	-100		A
V _{SAT(C)}	Collector - Emitter saturation voltage (Common-Emitter)	V _{CC} =15V, V _E =0V V _{O(03)} =3.0V, I _C =200mA	-	1.3		V
V _{SAT(E)}	Collector - Emitter saturation voltage (Emitter-follower)	V _{CC} =V _C =15V I _E = -200mA, V _{O(03)} =3.0V			-20~+85	V
I _{IOCH}	Output control input current	V _{CC} =15V V _{O(03)} =0.7V	-	3.5		mA
I _{CC15}	Standby Supply Current at VCC 15V	V _{CC} =15V	-	10	25	mA
I _{CC40}	Standby Supply Current at VCC 40V	V _{CC} =40V	-	15	25	mA
I _{CCA}	Average Supply Current	V _{CC} =15V V _{O(03)} =0.7V V _{O(04)} =2.0V	-	15	-40~+85	mA

Standard deviation is a measure of the statistical distribution about the mean as derived from the formula

$$\sigma = \sqrt{\frac{\sum_{n=1}^N (X_n - \bar{X})^2}{N - 1}}$$

Physical Dimensions

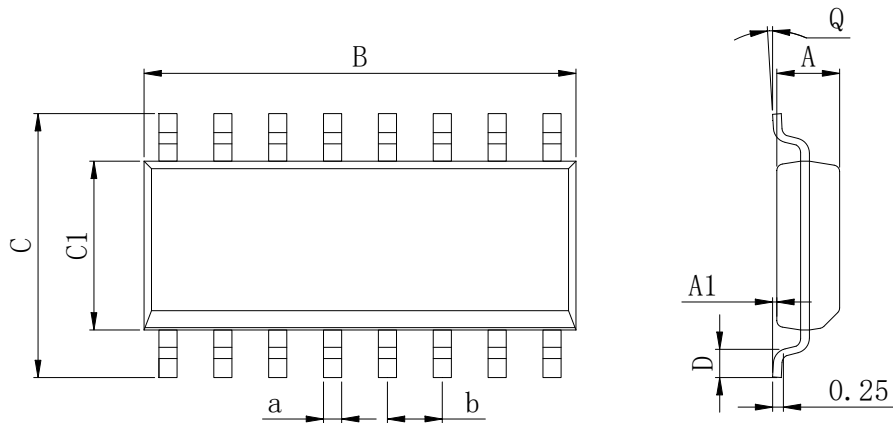
DIP-16



Dimensions In Millimeters(DIP-16)

Symbol:	A	B	D	D1	E	L	L1	a	b	c	d
Min:	6.10	18.94	8.10	7.42	3.10	0.50	3.00	1.50	0.85	0.40	2.54 BSC
Max:	6.68	19.56	10.9	7.82	3.55	0.70	3.60	1.55	0.90	0.50	

SOP-16

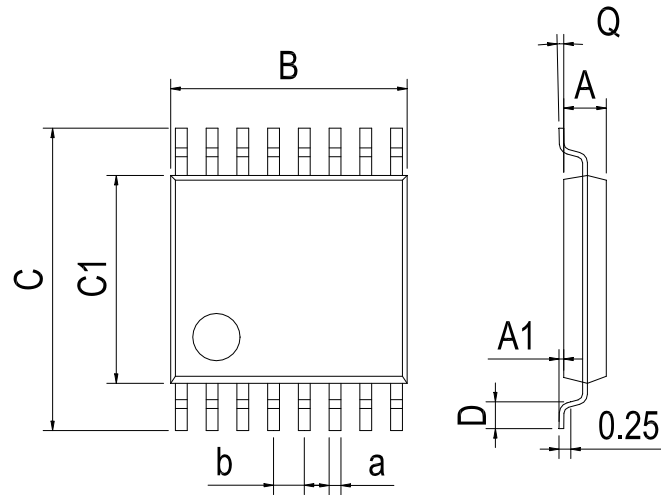


Dimensions In Millimeters(SOP-16)

Symbol:	A	A1	B	C	C1	D	Q	a	b
Min:	1.35	0.05	9.80	5.80	3.80	0.40	0°	0.35	1.27 BSC
Max:	1.55	0.20	10.0	6.20	4.00	0.80	8°	0.45	

Physical Dimensions

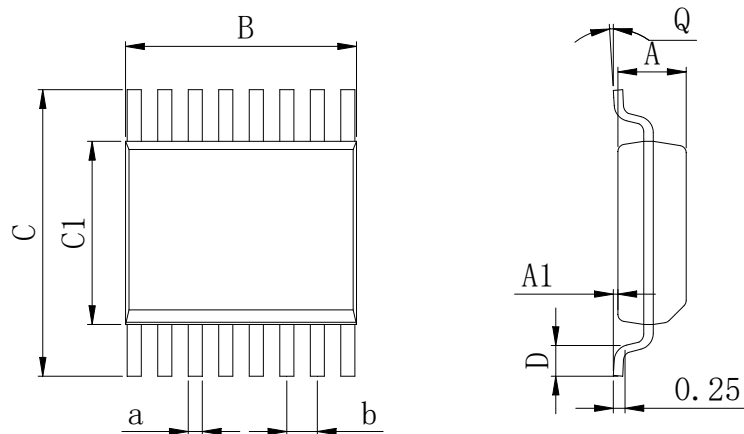
TSSOP-16



Dimensions In Millimeters(TSSOP-16)

Symbol:	A	A1	B	C	C1	D	Q	a	b
Min:	0.85	0.05	4.90	6.20	4.30	0.40	0°	0.20	0.65 BSC
Max:	0.95	0.20	5.10	6.60	4.50	0.80	8°	0.25	

QSOP-16



Dimensions In Millimeters(QSOP-16)

Symbol:	A	A1	B	C	C1	D	Q	a	b
Min:	1.35	0.05	4.80	5.80	3.80	0.40	0°	0.20	0.635 BSC
Max:	1.55	0.20	5.10	6.20	4.00	0.80	8°	0.25	

Revision History

DATE	REVISION	PAGE
2019-12-8	New	1-9
2023-9-14	Modify the package dimension diagram TSSOP-16、 Update encapsulation type、 Update Lead Temperature、 Updated DIP-16 dimension、 Add annotation for Maximum Ratings.	1、 3、 6、 7
2024-9-23	Add QSOP-16 package	1

IMPORTANT STATEMENT:

Huaguan Semiconductor reserves the right to change its products and services without notice. Before ordering, the customer shall obtain the latest relevant information and verify whether the information is up to date and complete. Huaguan Semiconductor does not assume any responsibility or obligation for the altered documents.

Customers are responsible for complying with safety standards and taking safety measures when using Huaguan Semiconductor products for system design and machine manufacturing. You will bear all the following responsibilities: Select the appropriate Huaguan Semiconductor products for your application; Design, validate and test your application; Ensure that your application meets the appropriate standards and any other safety, security or other requirements. To avoid the occurrence of potential risks that may lead to personal injury or property loss.

Huaguan Semiconductor products have not been approved for applications in life support, military, aerospace and other fields, and Huaguan Semiconductor will not bear the consequences caused by the application of products in these fields. All problems, responsibilities and losses arising from the user's use beyond the applicable area of the product shall be borne by the user and have nothing to do with Huaguan Semiconductor, and the user shall not claim any compensation liability against Huaguan Semiconductor by the terms of this Agreement.

The technical and reliability data (including data sheets), design resources (including reference designs), application or other design suggestions, network tools, safety information and other resources provided for the performance of semiconductor products produced by Huaguan Semiconductor are not guaranteed to be free from defects and no warranty, express or implied, is made. The use of testing and other quality control technologies is limited to the quality assurance scope of Huaguan Semiconductor. Not all parameters of each device need to be tested.

The documentation of Huaguan Semiconductor authorizes you to use these resources only for developing the application of the product described in this document. You have no right to use any other Huaguan Semiconductor intellectual property rights or any third party intellectual property rights. It is strictly forbidden to make other copies or displays of these resources. You should fully compensate Huaguan Semiconductor and its agents for any claims, damages, costs, losses and debts caused by the use of these resources. Huaguan Semiconductor accepts no liability for any loss or damage caused by infringement.

单击下面可查看定价，库存，交付和生命周期等信息

[>>HGSEMI\(华冠\)](#)