

CD4007M/CD4007C Dual Complementary Pair Plus Inverter

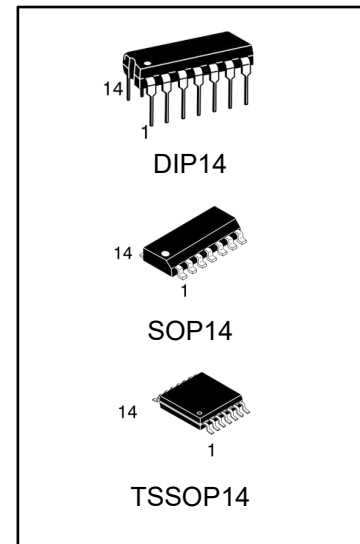
General Description

The CD4007B consists of three complementary pairs of N- and P-channel enhancement mode MOS transistors suitable for series/shunt applications. All inputs are protected from static discharge by diode clamps to V_{DD} and V_{SS} .

For proper operation the voltages at all pins must be constrained to be between $V_{SS} + 0.3V$ and $V_{DD} - 0.3V$ at all times.

Features

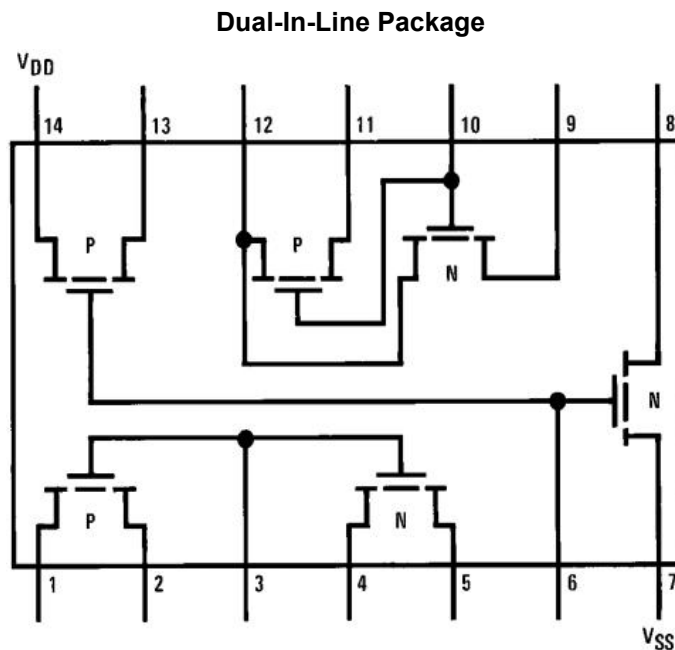
- Wide supply voltage range: 3.0V to 15V
- High noise immunity: $0.45 V_{CC}$ (typ.)



Ordering Information

DEVICE	Package Type	MARKING	Packing	Packing Qty
CD4007BE	DIP14	CD4007BE	TUBE	1000pcs/Box
CD4007BM/TR	SOP14	CD4007B	REEL	2500pcs/Reel
CD4007BMT/TR	TSSOP14	CD4007B	REEL	2500pcs/Reel

Connection Diagram



Note: All P-channel substrates are connected to V_{DD}
and all N-channel substrates are connected to V_{SS} .

Absolute Maximum Ratings (Note 1)

If Military/Aerospace specified devices are required, please contact the National Semiconductor Sales Office/Distributors for availability and specifications.

Parameter	Min.	Max.	Unit
Voltage at Any Pin	$V_{SS} - 0.3$	$V_{DD} - 0.3$	V
Operating Temperature Range	-40	+85	°C
Storage Temperature Range	-65	+150	°C
Power Dissipation (P_D)			
Dual-In-Line	700		mW
Small Outline	500		mW
Operating V_{DD} Range	$V_{SS} + 3.0$	$V_{SS} + 15$	V
Lead Temperature			
(Soldering, 10 seconds)	260		°C

DC Electrical Characteristics

Symbol	Parameter	Conditions	Limits									Units
			-40°C			+25°C			+85°C			
			Min	Typ	Max	Min	Typ	Max	Min	Typ	Max	
I _L	Quiescent Device Current	V _{DD} = 5.0V	-	-	0.5	-	0.005	0.05	-	-	15	mA
		V _{DD} = 10V	-	-	1.0	-	0.005	1.0	-	-	30	mA
P _D	Quiescent Device Dissipation Package	V _{DD} = 5.0V	-	-	2.5	-	0.025	2.5	-	-	75	mW
		V _{DD} = 10V	-	-	10	-	0.05	10	-	-	300	mW
V _{OL}	Output VoltageLow Level	V _{DD} = 5.0V	-	-	0.05	-	0	0.01	-	-	0.05	V
		V _{DD} = 10V	-	-	0.05	-	0	0.01	-	-	0.05	V
V _{OH}	Output VoltageHigh Level	V _{DD} = 5.0V	4.95	-	-	4.95	5.0	-	4.95	-	-	V
		V _{DD} = 10V	9.95	-	-	9.95	10	-	9.95	-	-	V
V _{NL}	Noise Immunity (All inputs)	V _{DD} = 5.0V, V _O = 3.6V	-	-	1.5	-	2.25	1.5	-	-	1.4	V
		V _{DD} = 10V, V _O = 7.2V	-	-	3.0	-	4.5	3.0	-	-	2.9	V
V _{NH}	Noise Immunity (All Inputs)	V _{DD} = 5.0V, V _O = 0.95V	3.6	-	-	3.5	2.25	-	3.5	-	-	V
		V _{DD} = 10V, V _O = 2.9V	7.1	-	-	7.0	4.5	-	7.0	-	-	V
I _{DN}	Output Drive CurrentN-Channel	V _{DD} = 5.0V, V _O = 0.4V, V _I = V _{DD}	0.35	-	-	0.3	1.0	-	0.24	-	-	Ma
		V _{DD} = 10V, V _O = 0.5V, V _I = V _{DD}	1.2	-	-	1.0	2.5	-	0.8	-	-	mA
I _{DP}	Output Drive CurrentP-Channel	V _{DD} = 5.0V, V _O = 2.5V, V _I = V _{SS}	-1.3	-	-	-1.1	-4.0	-	-0.9	-	-	mA
		V _{DD} = 10V, V _O = 9.5V, V _I = V _{SS}	-0.65	-	-	-0.55	-2.5	-	-0.45	-	-	mA
I _I	Input Current	-	-	-	-	10	-	-	-	-	pA	

Note 1:

This device should not be connected to circuits with the power on because high transient voltages may cause permanent damage.

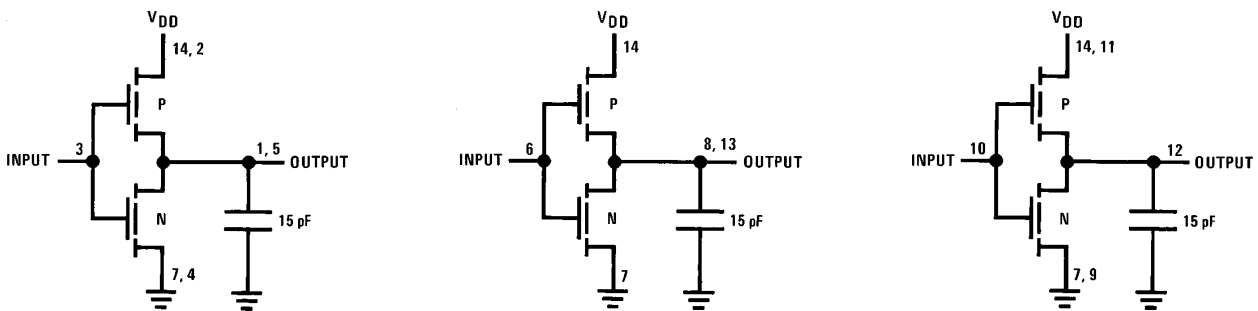
AC Electrical Characteristics*

$T_A = 25^\circ\text{C}$ and $C_L = 15\text{ pF}$ and rise and fall times = 20 ns. Typical temperature coefficient for all values of $V_{DD} = 0.3\%/^\circ\text{C}$

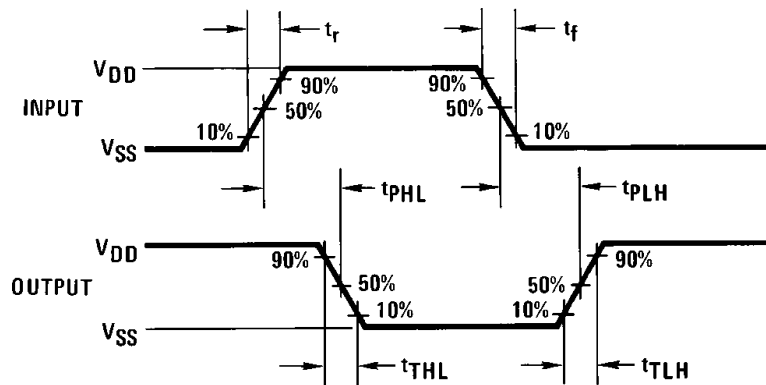
Symbol	Parameter	Conditions	Min	Typ	Max	Units
$t_{PLH} = t_{PHL}$	Propagation Delay Time	$V_{DD} = 5.0\text{V}$ $V_{DD} = 10\text{V}$		35 20	75 50	ns ns
$t_{TLH} = t_{THL}$	Transition Time	$V_{DD} = 5.0\text{V}$ $V_{DD} = 10\text{V}$		50 30	100 50	ns ns
C_I	Input Capacitance	Any Input		5		pF

*AC Parameters are guaranteed by DC correlated testing.

AC Test Circuits

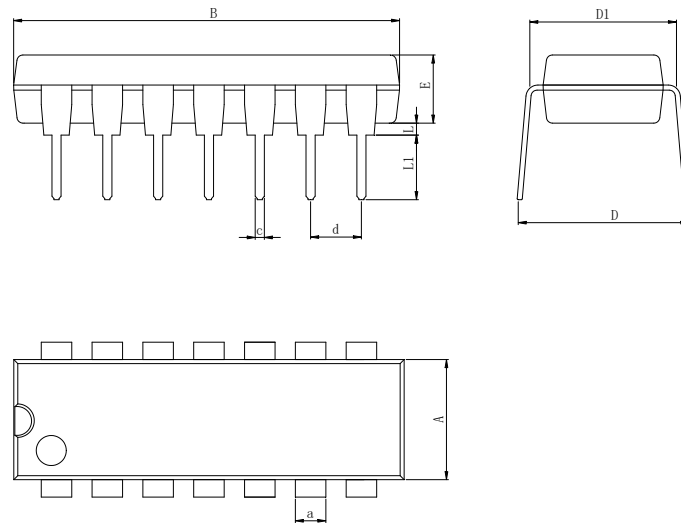


Switching Time Waveforms



Physical Dimensions

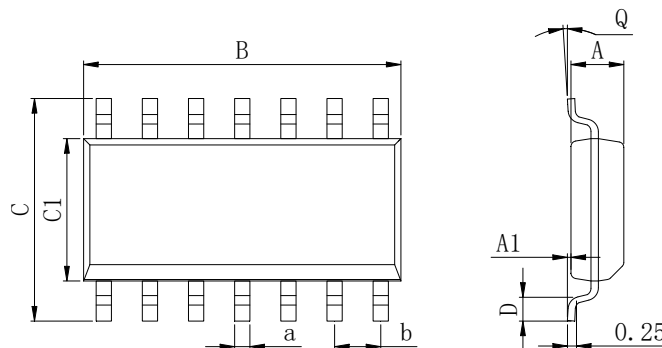
DIP14



Dimensions In Millimeters(DIP14)

Symbol:	A	B	D	D1	E	L	L1	a	c	d
Min:	6.10	18.94	8.40	7.42	3.10	0.50	3.00	1.50	0.40	2.54 BSC
Max:	6.68	19.56	9.00	7.82	3.55	0.70	3.60	1.55	0.50	

SOP14

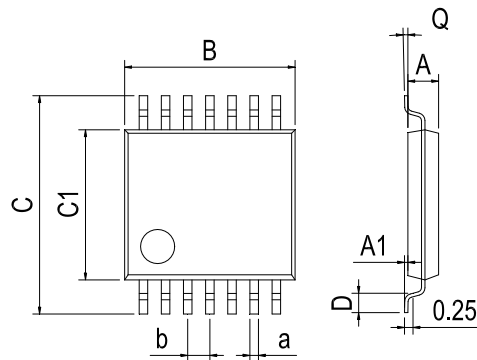


Dimensions In Millimeters(SOP14)

Symbol:	A	A1	B	C	C1	D	Q	a	b
Min:	1.35	0.05	8.55	5.80	3.80	0.40	0°	0.35	1.27 BSC
Max:	1.55	0.20	8.75	6.20	4.00	0.80	8°	0.45	

Physical Dimensions

TSSOP14



Dimensions In Millimeters(TSSOP14)									
Symbol:	A	A1	B	C	C1	D	Q	a	b
Min:	0.85	0.05	4.90	6.20	4.30	0.40	0°	0.20	0.65 BSC
Max:	0.95	0.20	5.10	6.60	4.50	0.80	8°	0.25	

IMPORTANT STATEMENT:

Huaguan Semiconductor reserves the right to change its products and services without notice. Before ordering, the customer shall obtain the latest relevant information and verify whether the information is up to date and complete. Huaguan Semiconductor does not assume any responsibility or obligation for the altered documents.

Customers are responsible for complying with safety standards and taking safety measures when using Huaguan Semiconductor products for system design and machine manufacturing. You will bear all the following responsibilities: select the appropriate Huaguan Semiconductor products for your application; Design, validate and test your application; Ensure that your application meets the appropriate standards and any other safety, security or other requirements. To avoid the occurrence of potential risks that may lead to personal injury or property loss.

Huaguan Semiconductor products have not been approved for applications in life support, military, aerospace and other fields, and Huaguan Semiconductor will not bear the consequences caused by the application of products in these fields.

The technical and reliability data (including data sheets), design resources (including reference designs), application or other design suggestions, network tools, safety information and other resources provided for the performance of semiconductor products produced by Huaguan Semiconductor are not guaranteed to be free from defects and no warranty, express or implied, is made. The use of testing and other quality control technologies is limited to the quality assurance scope of Huaguan Semiconductor. Not all parameters of each device need to be tested.

The documentation of Huaguan Semiconductor authorizes you to use these resources only for developing the application of the product described in this document. You have no right to use any other Huaguan Semiconductor intellectual property rights or any third party intellectual property rights. It is strictly forbidden to make other copies or displays of these resources. You should fully compensate Huaguan Semiconductor and its agents for any claims, damages, costs, losses and debts caused by the use of these resources. Huaguan Semiconductor accepts no liability for any loss or damage caused by infringement.

单击下面可查看定价，库存，交付和生命周期等信息

[>>HGSEMI\(华冠\)](#)