

## FEATURES

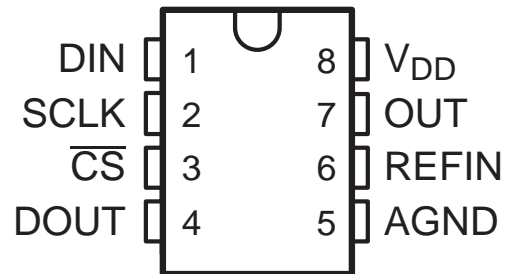
- 10-Bit CMOS Voltage Output DAC in an 8-Terminal Package
  - 5V Single Supply Operation
  - 3-Wire Serial Interface
  - High-Impedance Reference Inputs
  - Voltage Output Range: 2 Times the Reference Input Voltage
  - Internal Power-On Reset
  - Low Power Consumption: 1.75mW Max
  - Update Rate of 1.21MHz
  - Settling Time to 0.5LSB: 12.5 $\mu$ s Typ
  - Monotonic Over Temperature
- 
- Battery-Powered Test Instruments
  - Digital Offset and Gain Adjustment
  - Battery Operated/Remote Industrial Controls
  - Machine and Motion Control Devices
  - Cellular Telephones

## DESCRIPTION

The HGC5615 is a 10-bit voltage output digital-to-analog converter (DAC) with a buffered reference input (high impedance). The DAC has an output voltage range that is two times the reference voltage, and the DAC is monotonic. The device is simple to use, running from a single supply of 5V. A power-on-reset function is incorporated to ensure repeatable start-up conditions.

Digital control of the HGC5615 is over a three-wire serial bus that is CMOS compatible and easily interfaced to industry standard microprocessor and microcontroller devices. The device receives a 16-bit data word to produce the analog output. The digital inputs feature Schmitt triggers for high noise immunity. Digital communication protocols include the SPI<sup>™</sup>, QSPI<sup>™</sup>, and Microwire<sup>™</sup> standards.

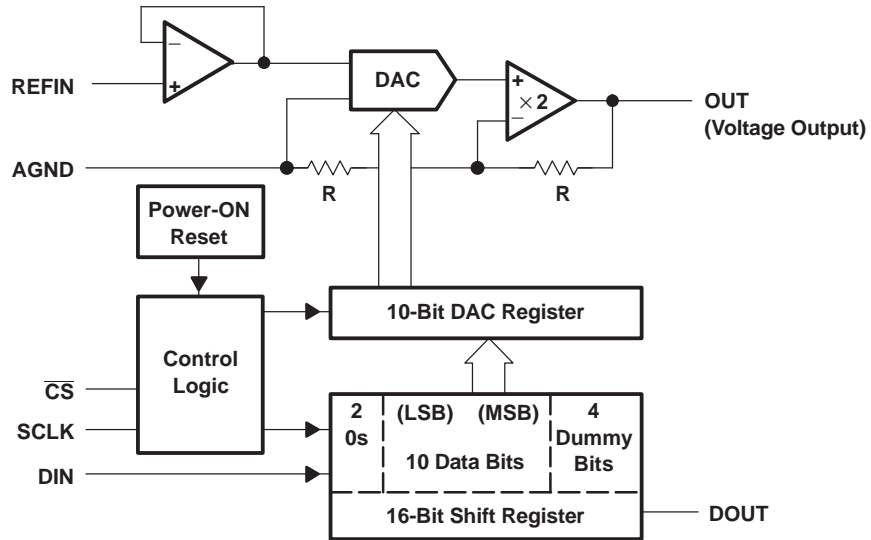
The 8-terminal small-outline D package allows digital control of analog functions in space-critical applications.



DIP/SOP/MSOP

## ORDERING INFORMATION

DEVICE	Package Type	MARKING	Packing	Packing Qty
HGC5615CN	DIP-8L	C5615C	TUBE	2000pcs/box
HGC5615CM/TR	SOP-8L	C5615C	REEL	2500pcs/reel
HGC5615CMM/TR	MSOP-8L	5615C	REEL	3000pcs/reel
HGC5615IN	DIP-8L	C5615I	TUBE	2000pcs/box
HGC5615IM/TR	SOP-8L	C5615I	REEL	2500pcs/reel
HGC5615IMM/TR	MSOP-8L	5615I	REEL	3000pcs/reel

**FUNCTIONAL BLOCK DIAGRAM**

**Terminal Functions**

TERMINAL		I/O	DESCRIPTION
NAME	NO.		
DIN	1	I	Serial data input
SCLK	2	I	Serial clock input
$\overline{CS}$	3	I	Chip select, active low
DOUT	4	O	Serial data output for daisy chaining
AGND	5		Analog ground
REFIN	6	I	Reference input
OUT	7	O	DAC analog voltage output
$V_{DD}$	8		Positive power supply

## ABSOLUTE MAXIMUM RATINGS

over operating free-air temperature range (unless otherwise noted)<sup>(1)</sup>

		UNIT
Supply voltage ( $V_{DD}$ to AGND)		7V
Digital input voltage range to AGND		-0.3V to $V_{DD} + 0.3V$
Reference input voltage range to AGND		-0.3V to $V_{DD} + 0.3V$
Output voltage at OUT from external source		$V_{DD} + 0.3V$
Continuous current at any terminal		±20mA
Operating free-air temperature range, $T_A$	HGC5615C	0°C to +70°C
	HGC5615I	-40°C to +85°C
Storage temperature range, $T_{stg}$		-65°C to +150°C
Lead temperature 1,6mm (1/16 inch) from case for 10 seconds		+260°C

(1) Stresses beyond those listed under Absolute Maximum Ratings may cause permanent damage to the device. These are stress ratings only, and functional operation of the device at these or any other conditions beyond those indicated under Recommended Operating Conditions is not implied. Exposure to absolute-maximum-rated conditions for extended periods may affect device reliability.

## RECOMMENDED OPERATING CONDITIONS

		MIN	NOM	MAX	UNIT
Supply voltage, $V_{DD}$		4.5	5	5.5	V
High-level digital input voltage, $V_{IH}$		2.4			V
Low-level digital input voltage, $V_{IL}$		0.8			V
Reference voltage, $V_{ref}$ to REFIN terminal		2	2.048	$V_{DD}-2$	V
Load resistance, $R_L$		2			kΩ
Operating free-air temperature, $T_A$	HGC5615C	0		70	°C
	HGC5615I	-40		85	°C

## ELECTRICAL CHARACTERISTICS

over recommended operating free-air temperature range,  $V_{DD} = 5V \pm 5\%$ ,  $V_{ref} = 2.048V$  (unless otherwise noted)

STATIC DAC SPECIFICATIONS							
PARAMETER		TEST CONDITIONS		MIN	TYP	MAX	UNIT
Resolution				10			bits
Integral nonlinearity, end point adjusted (INL)		$V_{ref} = 2.048V$ ,	See <sup>(1)</sup>			±1	LSB
Differential nonlinearity (DNL)		$V_{ref} = 2.048V$ ,	See <sup>(2)</sup>	±0.1		±0.5	LSB
$E_{ZS}$	Zero-scale error (offset error at zero scale)	$V_{ref} = 2.048V$ ,	See <sup>(3)</sup>			±3	LSB
Zero-scale-error temperature coefficient		$V_{ref} = 2.048V$ ,	See <sup>(4)</sup>	3			ppm/°C
$E_G$	Gain error	$V_{ref} = 2.048V$ ,	See <sup>(5)</sup>			±3	LSB
Gain-error temperature coefficient		$V_{ref} = 2.048V$ ,	See <sup>(6)</sup>	1			ppm/°C
PSRR	Power-supply rejection ratio	Zero scale	See <sup>(7)(8)</sup>	80			dB
		Gain		80			
Analog full scale output		$R_L = 100k\Omega$		2 $V_{ref}(1023/1024)$			V

- (1) The relative accuracy or integral nonlinearity (INL), sometimes referred to as linearity error, is the maximum deviation of the output from the line between zero and full scale excluding the effects of zero code and full-scale errors (see text). Tested from code 3 to code 1024.
- (2) The differential nonlinearity (DNL), sometimes referred to as differential error, is the difference between the measured and ideal 1LSB amplitude change of any two adjacent codes. Monotonic means the output voltage changes in the same direction (or remains constant) as a change in the digital input code. Tested from code 3 to code 1024.
- (3) Zero-scale error is the deviation from zero-voltage output when the digital input code is zero (see text).
- (4) Zero-scale-error temperature coefficient is given by:  $E_{ZS} TC = [E_{ZS}(T_{max}) - E_{ZS}(T_{min})]/V_{ref} \times 10^6/(T_{max} - T_{min})$ .
- (5) Gain error is the deviation from the ideal output ( $V_{ref} - 1LSB$ ) with an output load of 10kΩ excluding the effects of the zero-scale error.
- (6) Gain temperature coefficient is given by:  $E_G TC = [E_G(T_{max}) - E_G(T_{min})]/V_{ref} \times 10^6/(T_{max} - T_{min})$ .
- (7) Zero-scale-error rejection ratio (EZR-RR) is measured by varying the  $V_{DD}$  from 4.5V to 5.5V dc and measuring the proportion of this signal imposed on the zero-code output voltage.
- (8) Gain-error rejection ratio (EG-RR) is measured by varying the  $V_{DD}$  from 4.5V to 5.5V dc and measuring the proportion of this signal imposed on the full-scale output voltage after subtracting the zero-scale change.

**VOLTAGE OUTPUT (OUT)**

PARAMETER		TEST CONDITIONS	MIN	TYP	MAX	UNIT
V <sub>O</sub>	Voltage output range	R <sub>L</sub> = 10kΩ	0		V <sub>DD</sub> -0.4	V
	Output load regulation accuracy	V <sub>O(OUT)</sub> = 2V, R <sub>L</sub> = 2kΩ			0.5	LSB
I <sub>OSC</sub>	Output short circuit current	OUT to V <sub>DD</sub> or AGND		20		mA
V <sub>OL(low)</sub>	Output voltage, low-level	I <sub>O(OUT)</sub> ≤ 5mA			0.25	V
V <sub>OH(high)</sub>	Output voltage, high-level	I <sub>O(OUT)</sub> ≤ -5mA	4.75			V
<b>REFERENCE INPUT (REFIN)</b>						
V <sub>I</sub>	Input voltage		0		V <sub>DD</sub> -2	V
r <sub>i</sub>	Input resistance		10			MΩ
C <sub>i</sub>	Input capacitance			5		pF
<b>DIGITAL INPUTS (DIN, SCLK, CS)</b>						
V <sub>IH</sub>	High-level digital input voltage		2.4			V
V <sub>IL</sub>	Low-level digital input voltage				0.8	V
I <sub>IH</sub>	High-level digital input current	V <sub>I</sub> = V <sub>DD</sub>			±1	μA
I <sub>IL</sub>	Low-level digital input current	V <sub>I</sub> = 0			±1	μA
C <sub>i</sub>	Input capacitance			8		pF
<b>DIGITAL OUTPUT (DOUT)</b>						
V <sub>OH</sub>	Output voltage, high-level	I <sub>O</sub> = -2mA	V <sub>DD</sub> -1			V
V <sub>OL</sub>	Output voltage, low-level	I <sub>O</sub> = 2mA			0.4	V
<b>POWER SUPPLY</b>						
V <sub>DD</sub>	Supply voltage		4.5	5	5.5	V
I <sub>DD</sub>	Power supply current	V <sub>DD</sub> = 5.5V, No load, All inputs = 0V or V <sub>DD</sub>	V <sub>ref</sub> = 0	150	250	μA
		V <sub>DD</sub> = 5.5V, No load, All inputs = 0V or V <sub>DD</sub>	V <sub>ref</sub> = 2.048V	230	350	μA
<b>ANALOG OUTPUT DYNAMIC PERFORMANCE</b>						
	Signal-to-noise + distortion, S/(N+D)	V <sub>ref</sub> = 1V <sub>PP</sub> at 1kHz + 2.048Vdc, code = 11 1111 1111 <sup>(1)</sup>	60			dB

(1) The limiting frequency value at 1V

**DIGITAL INPUT TIMING REQUIREMENTS (See Figure 1)**

PARAMETER		MIN	NOM	MAX	UNIT
t <sub>su(DS)</sub>	Setup time, DIN before SCLK high	45			ns
t <sub>h(DH)</sub>	Hold time, DIN valid after SCLK high	0			ns
t <sub>su(CSS)</sub>	Setup time, CS low to SCLK high	1			ns
t <sub>su(CS1)</sub>	Setup time, CS high to SCLK high	50			ns
t <sub>h(CSH0)</sub>	Hold time, SCLK low to CS low	1			ns
t <sub>h(CSH1)</sub>	Hold time, SCLK low to CS high	0			ns
t <sub>w(CS)</sub>	Pulse duration, minimum chip select pulse width high	20			ns
t <sub>w(CL)</sub>	Pulse duration, SCLK low	25			ns
t <sub>w(CH)</sub>	Pulse duration, SCLK high	25			ns

**OUTPUT SWITCHING CHARACTERISTICS**

PARAMETER	TEST CONDITIONS	MIN	NOM	MAX	UNIT
t <sub>pd(DOUT)</sub>	Propagation delay time, DOUT			50	ns

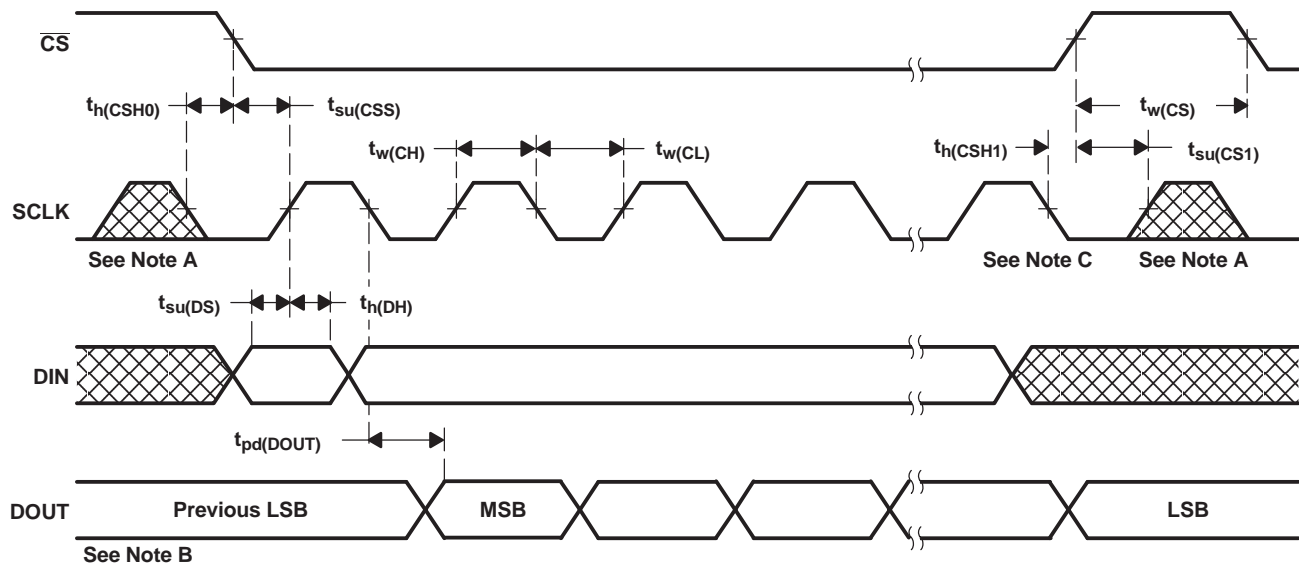
**OPERATING CHARACTERISTICS**

over recommended operating free-air temperature range,  $V_{DD} = 5V \pm 5\%$ ,  $V_{ref} = 2.048V$  (unless otherwise noted)

PARAMETER		TEST CONDITIONS	MIN	TYP	MAX	UNIT
<b>ANALOG OUTPUT DYNAMIC PERFORMANCE</b>						
SR	Output slew rate	$C_L = 100pF$ , $T_A = +25^\circ C$	$R_L = 10k\Omega$ ,	0.3	0.5	$V/\mu s$
$t_s$	Output settling time	To 0.5LSB, $R_L = 10k\Omega$ ,	$C_L = 100pF$ , <sup>(1)</sup>	12.5		$\mu s$
	Glitch energy	DIN = All 0s to all 1s		5		nV-s
<b>REFERENCE INPUT (REFIN)</b>						
	Reference feedthrough	REFIN = $1V_{PP}$ at 1kHz + 2.048Vdc <sup>(2)</sup>		-80		dB
	Reference input bandwidth (f-3dB)	REFIN = $0.2V_{PP}$ + 2.048Vdc		30		kHz

- (1) Settling time is the time for the output signal to remain within  $\pm 0.5LSB$  of the final measured value for a digital input code change of 000 hex to 3FF hex or 3FF hex to 000 hex.
- (2) Reference feedthrough is measured at the DAC output with an input code = 000 hex and a  $V_{ref}$  input = 2.048Vdc +  $1V_{PP}$  at 1kHz.

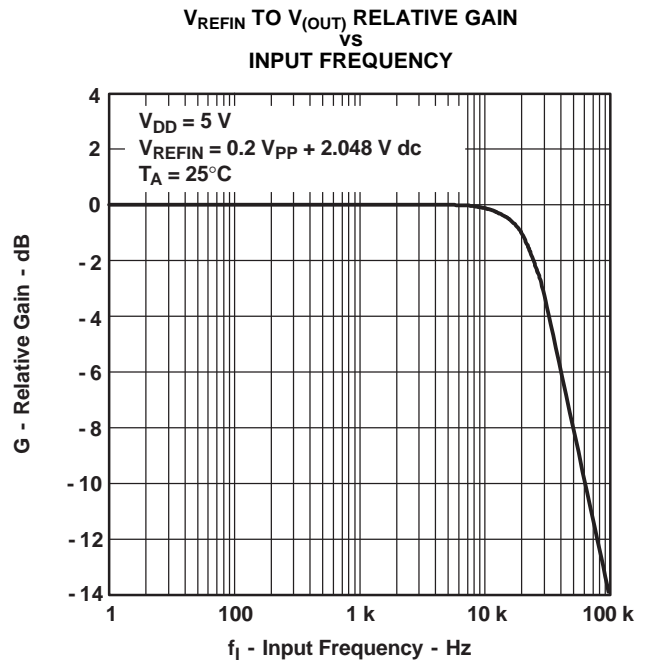
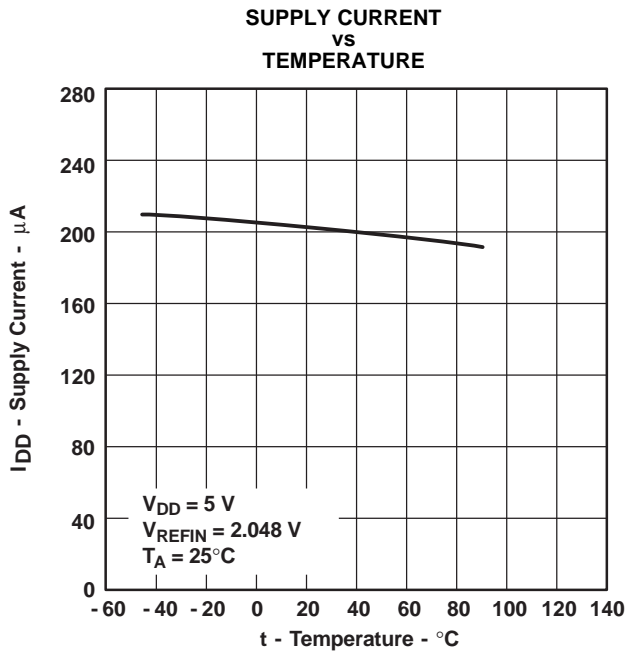
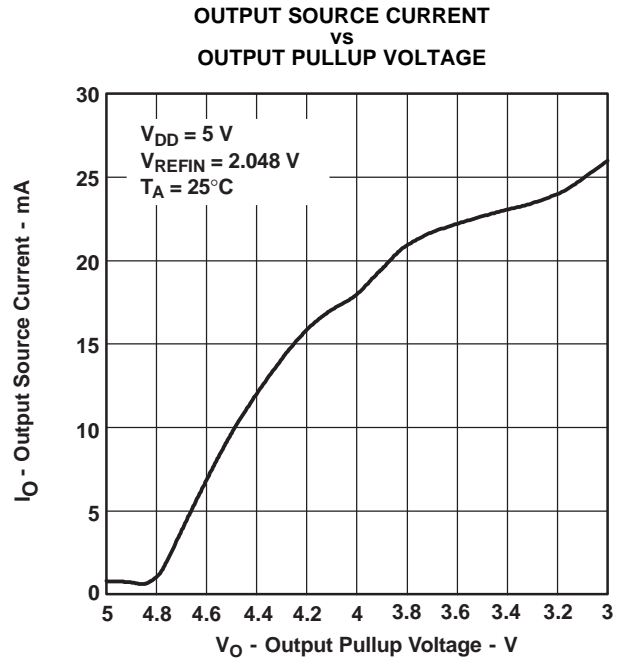
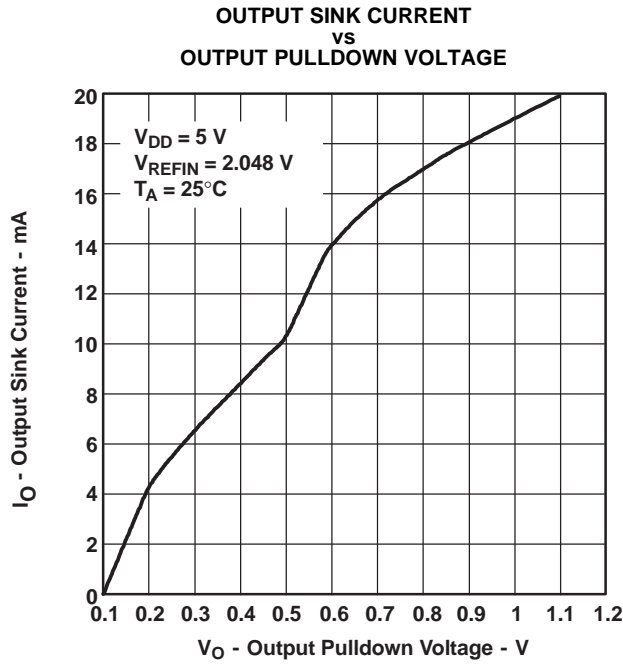
**PARAMETER MEASUREMENT INFORMATION**



- NOTES: A. The input clock, applied at the SCLK terminal, should be inhibited low when  $\overline{CS}$  is high to minimize clock feedthrough.  
 B. Data input from preceding conversion cycle.  
 C. Sixteenth SCLK falling edge

**Figure 1. Timing Diagram**

TYPICAL CHARACTERISTICS



TYPICAL CHARACTERISTICS (continued)

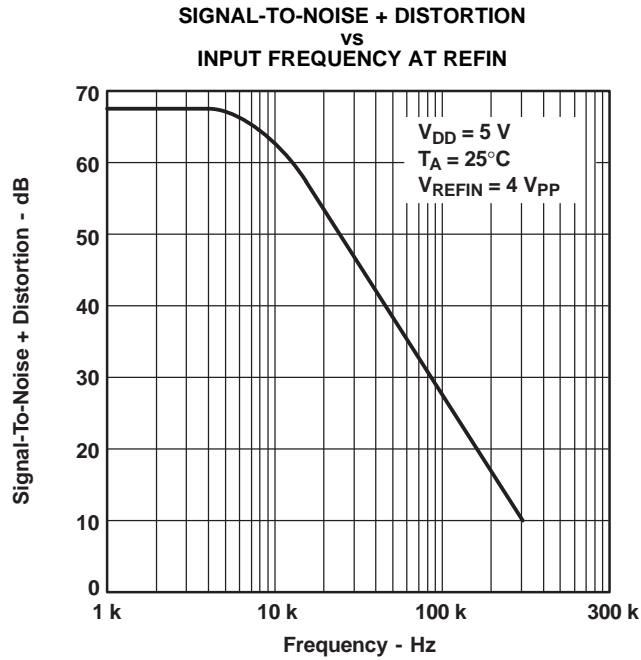


Figure 6.

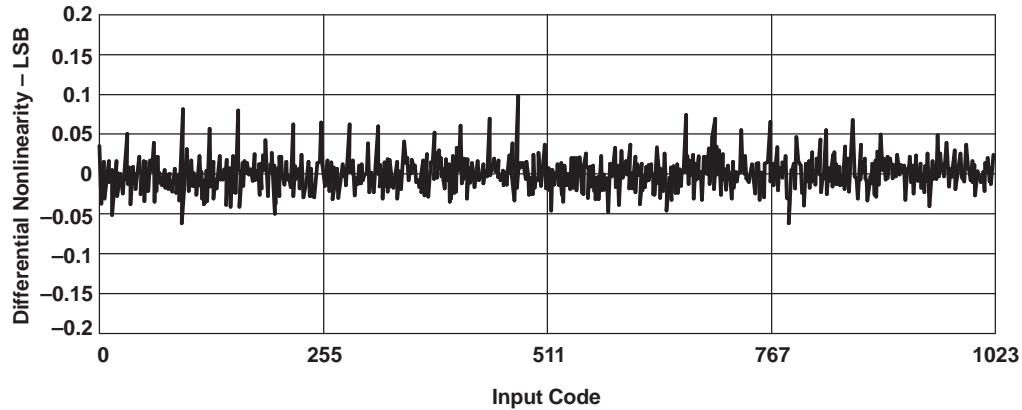


Figure 7. Differential Nonlinearity With Input Code

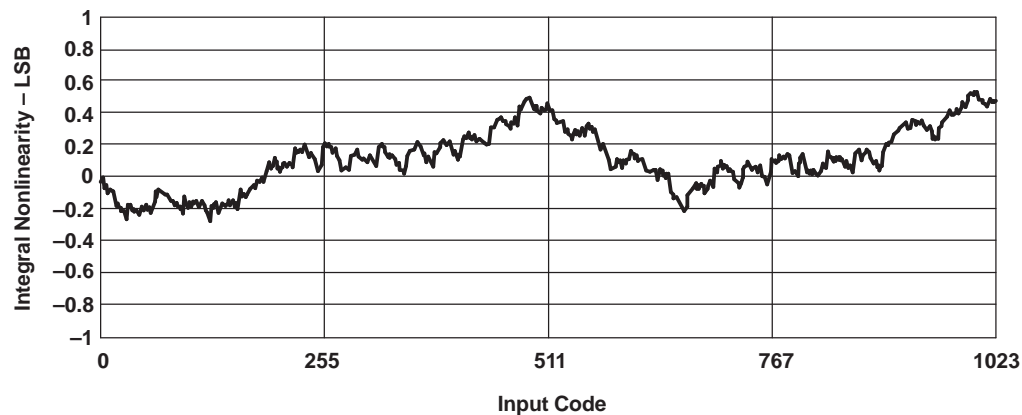


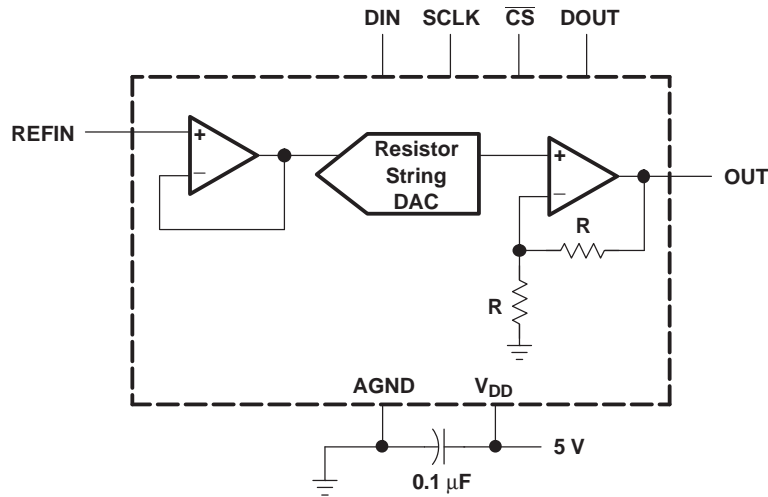
Figure 8. Integral Nonlinearity With Input Code

**APPLICATION INFORMATION**

**GENERAL FUNCTION**

The HGC5615 uses a resistor string network buffered with an op amp in a fixed gain of 2 to convert 10-bit digital data to analog voltage levels (see functional block diagram and Figure 9). The output of the HGC5615 is the same polarity as the reference input (see Table 1).

An internal circuit resets the DAC register to all zeros on power up.



**Figure 9. HGC5615 Typical Operating Circuit**

**Table 1. Binary Code Table (0V to 2V<sub>REFIN</sub> Output), Gain = 2**

INPUT <sup>(1)</sup>			OUTPUT
1111	1111	11(00)	$2(V_{REFIN}) \frac{1023}{1024}$
	:		:
1000	0000	01(00)	$2(V_{REFIN}) \frac{513}{1024}$
1000	0000	00(00)	$2(V_{REFIN}) \frac{512}{1024} = V_{REFIN}$
0111	1111	11(00)	$2(V_{REFIN}) \frac{511}{1024}$
	:		:
0000	0000	01(00)	$2(V_{REFIN}) \frac{1}{1024}$
0000	0000	00(00)	0 V

(1) A 10-bit data word with two bits below the LSB bit (sub-LSB) with 0 values must be written since the DAC input latch is 12 bits wide.



## BUFFER AMPLIFIER

The output buffer has a rail-to-rail output with short circuit protection and can drive a 2kΩ load with a 100pF load capacitance. Settling time is 12.5μs typical to within 0.5LSB of final value.

## EXTERNAL REFERENCE

The reference voltage input is buffered, which makes the DAC input resistance not code dependent. Therefore, the REFIN input resistance is 10MΩ and the REFIN input capacitance is typically 5pF independent of input code. The reference voltage determines the DAC full-scale output.

## LOGIC INTERFACE

The logic inputs function with either TTL or CMOS logic levels. However, using rail-to-rail CMOS logic achieves the lowest power dissipation. The power requirement increases by approximately 2 times when using TTL logic levels.

## SERIAL CLOCK AND UPDATE RATE

Figure 1 shows the HGC5615 timing. The maximum serial clock rate is:

$$f_{(SCLK)max} = \frac{1}{t_{w(CH)} + t_{w(CL)}}$$

or approximately 14MHz. The digital update rate is limited by the chip-select period, which is:

$$t_p(CS) = 16 \times (t_{w(CH)} + t_{w(CL)}) + t_{w(CS)}$$

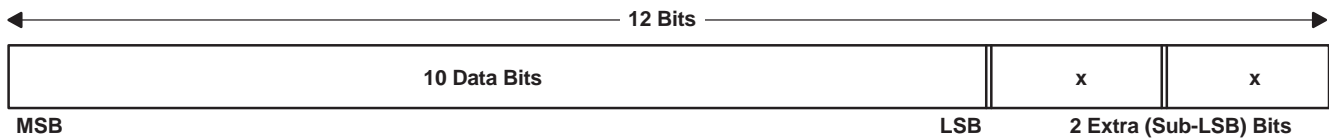
and is equal to 820ns which is a 1.21MHz update rate. However, the DAC settling time to 10 bits of 12.5μs limits the update rate to 80kHz for full-scale input step transitions.

## SERIAL INTERFACE

When chip select ( $\overline{CS}$ ) is low, the input data is read into a 16-bit shift register with the input data clocked in most significant bit first. The rising edge of the SCLK input shifts the data into the input register.

The rising edge of  $\overline{CS}$  then transfers the data to the DAC register. When  $\overline{CS}$  is high, input data cannot be clocked into the input register. All  $\overline{CS}$  transitions should occur when the SCLK input is low.

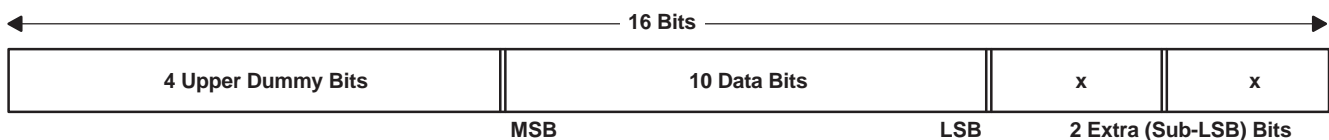
If the daisy chain (cascading) function (see daisy-chaining devices section) is not used, a 12-bit input data sequence with the MSB first can be used as shown in Figure 10:



x = don't care

**Figure 10. 12-Bit Input Data Sequence**

or 16 bits of data can be transferred as shown in Figure 11 with the 4 upper dummy bits first.



x = don't care

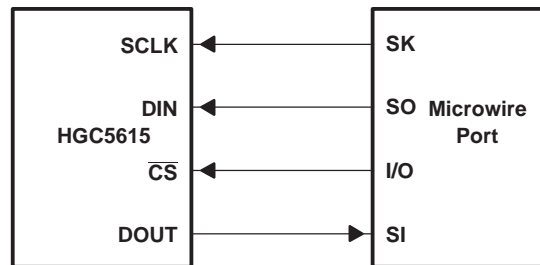
**Figure 11. 16-Bit Input Data Sequence**

The data from DOUT requires 16 falling edges of the input clock and, therefore, requires an extra clock width. When daisy chaining multiple HGC5615 devices, the data requires 4 upper dummy bits because the data transfer requires 16 input-clock cycles plus one additional input-clock falling edge to clock out the data at the DOUT terminal (see Figure 1).

The two extra (sub-LSB) bits are always required to provide hardware and software compatibility with 12-bit data converter transfers.

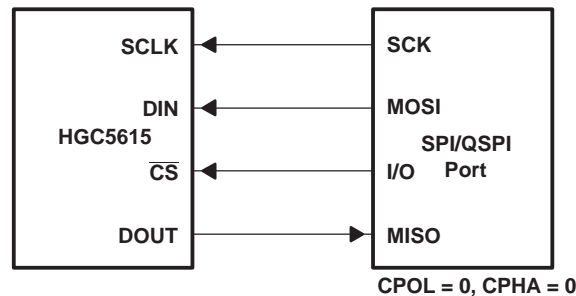
The HGC5615 three-wire interface is compatible with the SPI, QSPI, and Microwire serial standards. The hardware connections are shown in Figure 12 and Figure 13.

The SPI and Microwire interfaces transfer data in 8-bit bytes; therefore, two write cycles are required to input data to the DAC. The QSPI interface, which has a variable input data length from 8 to 16 bits, can load the DAC input register in one write cycle.



NOTE A: The DOUT-SI connection is not required for writing to the HGC5615 but may be used for verifying data transfer if desired.

**Figure 12. Microwire Connection**



NOTE A: The DOUT-MISO connection is not required for writing to the HGC5615 but may be used for verifying data transfer.

**Figure 13. SPI/QSPI Connection**

## DAISY-CHAINING DEVICES

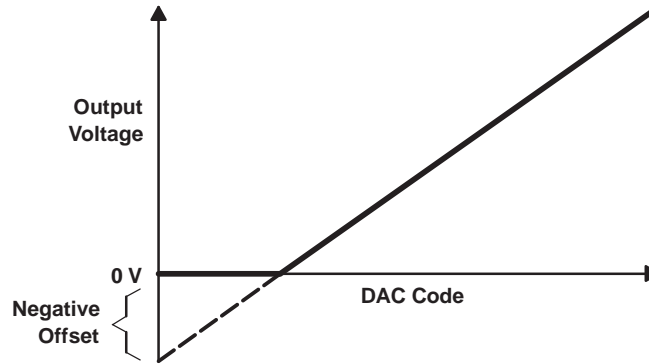
DACs can be daisy-chained by connecting the DOUT terminal of one device to the DIN of the next device in the chain, providing that the setup time,  $t_{su(CSS)}$  ( $\overline{CS}$  low to SCLK high), is greater than the sum of the setup time,  $t_{su(DS)}$ , plus the propagation delay time,  $t_{pd(DOUT)}$ , for proper timing (see digital input timing requirements section). The data at DIN appears at DOUT, delayed by 16 clock cycles plus one clock width. DOUT is a totem-poled output for low power. DOUT changes on the SCLK falling edge when  $\overline{CS}$  is low. When  $\overline{CS}$  is high, DOUT remains at the value of the last data bit and does not go into a high-impedance state.

## LINEARITY, OFFSET, AND GAIN ERROR USING SINGLE-ENDED SUPPLIES

When an amplifier is operated from a single supply, the voltage offset can still be either positive or negative. With a positive offset, the output voltage changes on the first code change. With a negative offset the output voltage may not change with the first code depending on the magnitude of the offset voltage.

The output amplifier attempts to drive the output to a negative voltage. However, because the most negative supply rail is ground, the output cannot drive below ground and clamps the output at 0V.

The output voltage then remains at zero until the input code value produces a sufficient positive output voltage to overcome the negative offset voltage, resulting in the transfer function shown in Figure 14.



**Figure 14. Effect of Negative Offset (Single Supply)**

This offset error, not the linearity error, produces this breakpoint. The transfer function would have followed the dotted line if the output buffer could drive below the ground rail.

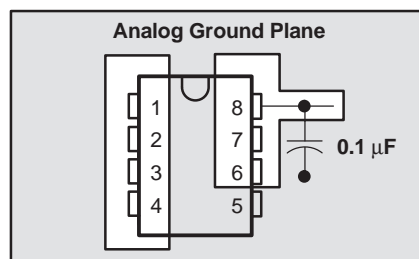
For a DAC, linearity is measured between zero-input code (all inputs '0') and full-scale code (all inputs '1') after offset and full scale are adjusted out or accounted for in some way. However, single supply operation does not allow for adjustment when the offset is negative due to the breakpoint in the transfer function. So the linearity is measured between full-scale code and the lowest code that produces a positive output voltage. For the HGC5615, the zero-scale (offset) error is  $\pm 3\text{LSB}$  maximum. The code is calculated from the maximum specification for the negative offset.

## POWER-SUPPLY BYPASSING AND GROUND MANAGEMENT

Printed circuit boards that use separate analog and digital ground planes offer the best system performance. Wire-wrap boards do not perform well and should not be used. The two ground planes should be connected together at the low-impedance power-supply source. The best ground connection may be achieved by connecting the DAC AGND terminal to the system analog ground plane making sure that analog ground currents are well managed and there are negligible voltage drops across the ground plane.

A  $0.1\mu\text{F}$  ceramic-capacitor bypass should be connected between  $V_{\text{DD}}$  and AGND and mounted with short leads as close as possible to the device. Use of ferrite beads may further isolate the system analog supply from the digital power supply.

Figure 15 shows the ground plane layout and bypassing technique.



**Figure 15. Power-Supply Bypassing**

## SAVING POWER

Setting the DAC register to all 0s minimizes power consumption by the reference resistor array and the output load when the system is not using the DAC.

## AC CONSIDERATIONS

### Digital Feedthrough

Even with  $\overline{CS}$  high, high-speed serial data at any of the digital input or output terminals may couple through the DAC package internal stray capacitance and appear at the DAC analog output as digital feedthrough. Digital feedthrough is tested by holding  $\overline{CS}$  high and transmitting 0101010101 from DIN to DOUT.

### Analog Feedthrough

Higher frequency analog input signals may couple to the output through internal stray capacitance. Analog feedthrough is tested by holding  $\overline{CS}$  high, setting the DAC code to all 0s, sweeping the frequency applied to REFIN, and monitoring the DAC output.

**PACKAGE**

SOP8

The top view shows a rectangular package with dimensions B (width) and C (length). The lead width is 'a' and the lead pitch is 'b'. The lead height is 'C1'. The side view shows a lead height of 'A', a lead thickness of 'D', a lead width of 'A1', and a lead angle 'Q'. A specific lead width dimension of 0.25 is also indicated.

Dimensions In Millimeters					
Symbol :	Min :	Max :	Symbol :	Min :	Max :
A	1.225	1.570	D	0.400	0.950
A1	0.100	0.250	Q	0°	8°
B	4.800	5.100	a	0.420 TYP	
C	5.800	6.250	b	1.270 TYP	
C1	3.800	4.000			

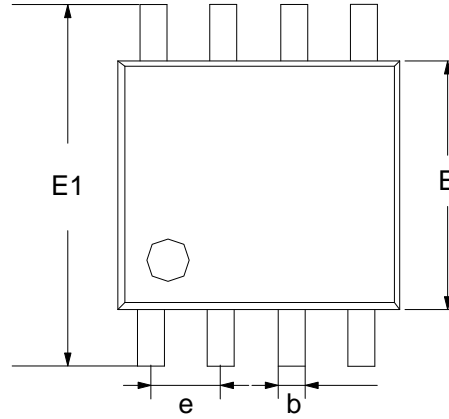
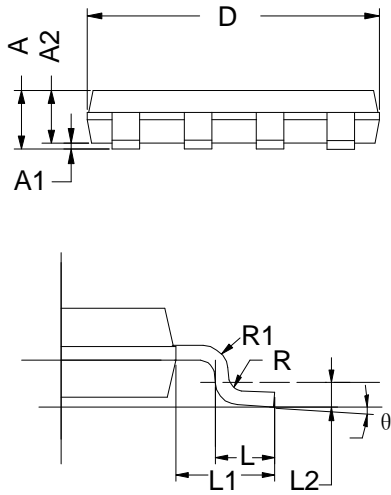
DIP8

The top view shows a rectangular package with dimensions B (width) and A (length). The lead width is 'a' and the lead pitch is 'b'. The lead height is 'L1'. The side view shows a lead height of 'L', a lead width of 'D1', and a lead thickness of 'D'. The front view shows a lead height of 'E' and a lead width of 'D'.

Dimensions In Millimeters					
Symbol :	Min :	Max :	Symbol :	Min :	Max :
A	6.100	6.680	L1	3.000	3.600
B	9.000	9.500	a	1.524 TYP	
D	8.400	9.000	b	0.889 TYP	
D1	7.420	7.820	c	0.457 TYP	
E	3.100	3.550	d	2.540 TYP	
L	0.500	0.700			

PACKAGE

MSOP8



Dimensions In Millimeters					
Symbol :	Min :	Max :	Symbol :	Min :	Max :
A	0.800	1.200	E1	4.700	5.100
A1	0	0.200	L1	0.410	0.650
A2	0.760	0.970	θ	0°	6°
D	2.900	3.100	b	0.300 TYP	
E	2.900	3.100	e	0.650 TYP	

### Important statement:

Huaguan Semiconductor Co,Ltd. reserves the right to change the products and services provided without notice. Customers should obtain the latest relevant information before ordering, and verify the timeliness and accuracy of this information.

Customers are responsible for complying with safety standards and taking safety measures when using our products for system design and machine manufacturing to avoid potential risks that may result in personal injury or property damage.

Our products are not licensed for applications in life support, military, aerospace, etc., so we do not bear the consequences of the application of these products in these fields.

Huaguan Semiconductor Co,Ltd. the performance of the semiconductor products produced by the company can reach the performance indicators that can be applied at the time of sales. the use of testing and other quality control technologies is limited to the quality assurance scope of Huaguan semiconductor. Not all parameters of each device need to be tested. The above documents are for reference only, and all are subject to the physical parameters.

Our documentation is only permitted to be copied without any tampering with the content, so we do not accept any responsibility or liability for the altered documents.

单击下面可查看定价，库存，交付和生命周期等信息

[>>HGSEMI\(华冠\)](#)