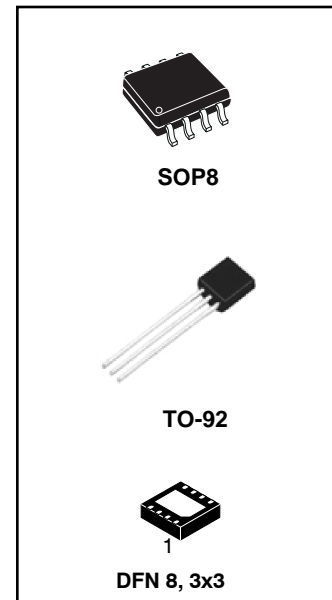


2.5V VOLTAGE REFERENCES

- LOW TEMPERATURE COEFFICIENT
- WIDE OPERATING CURRENT OF 400 μ A TO 10mA
- 0.2 Ω DYNAMIC IMPEDANCE
- GUARANTEED TEMPERATURE STABILITY
- FAST TURN-ON

DESCRIPTION

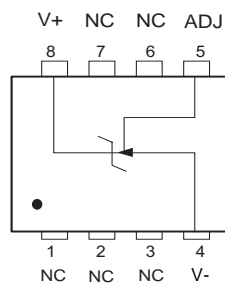
The LM336 are precision 2.5V regulator diodes. These voltage reference monolithic ICs operate like 2.5V zener diodes with a low temperature coefficient and a dynamic impedance of 0.2 Ω . A third pin enables adjusting the reference voltage and the temperature coefficient.



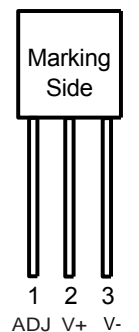
ORDERING INFORMATION

DEVICE	Package Type	MARKING	Packing	Packing Qty
LM236M-2.5/TR	SOP8L	LM236-2.5	Reel	2500pcs/reel
LM336M-2.5/TR	SOP8L	LM336-2.5	Reel	2500pcs/reel
LM236Z-2.5	TO-92	LM236-2.5	Tape	1000pcs/box
LM336Z-2.5	TO-92	LM336-2.5	Tape	1000pcs/box
LM236DQ-2.5/TR	DFN-8	LM236-2.5	Reel	2500pcs/reel
LM336DQ-2.5/TR	DFN-8	LM336-2.5	Reel	2500pcs/reel

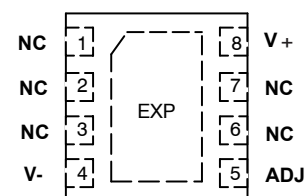
PIN CONNECTIONS



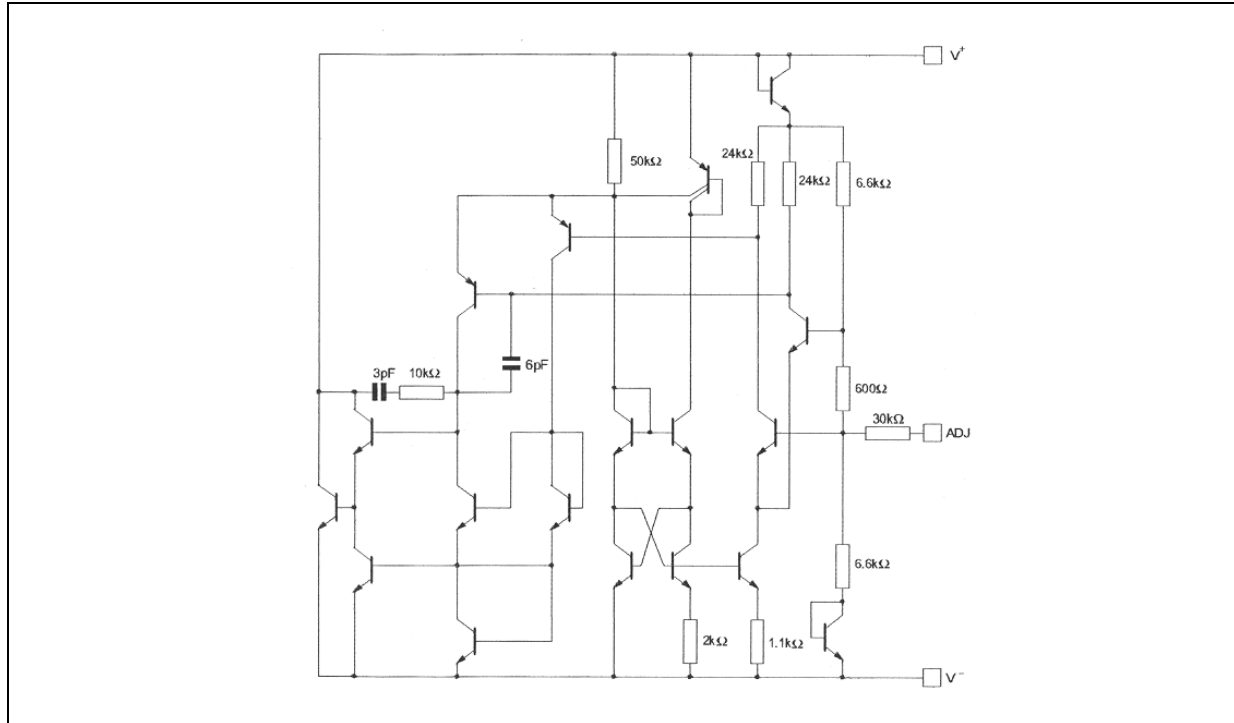
SOP8
(Top view)



TO-92 PKG



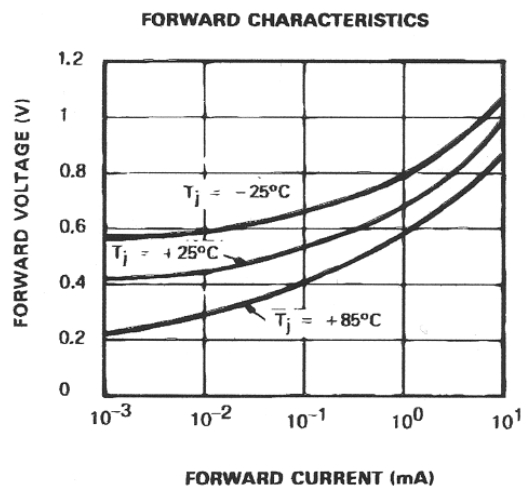
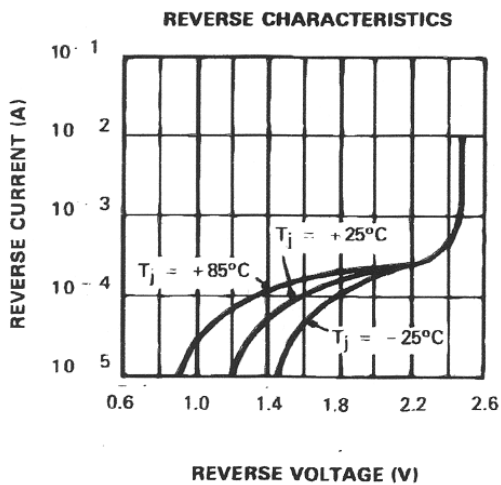
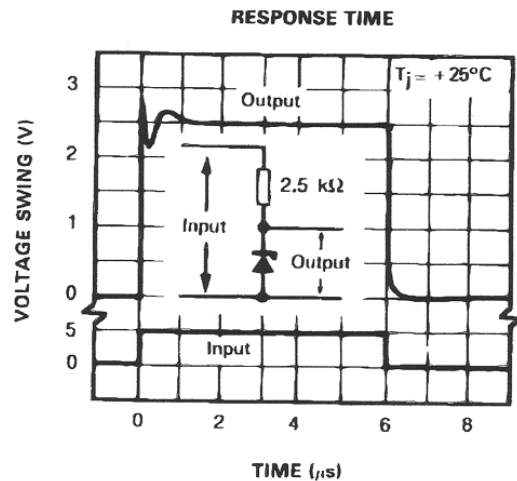
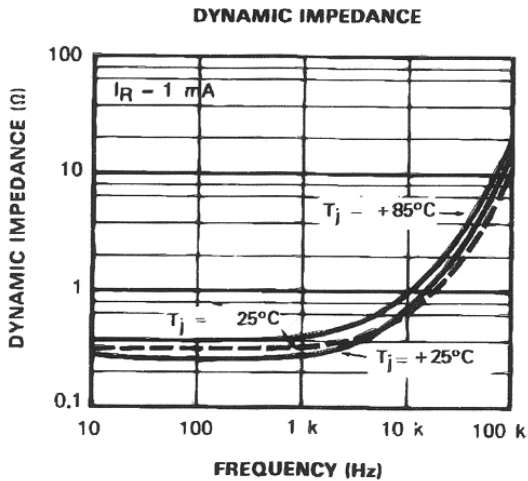
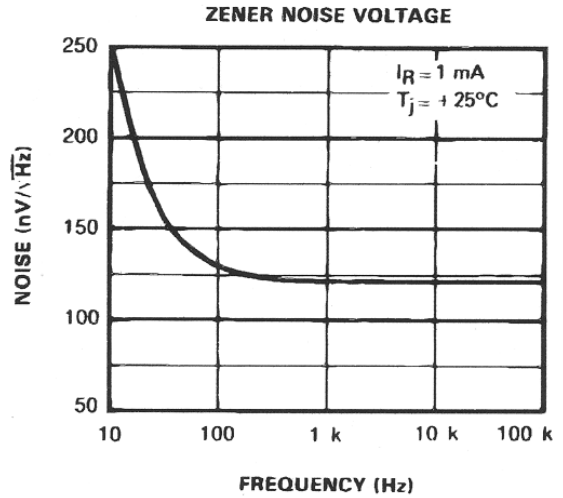
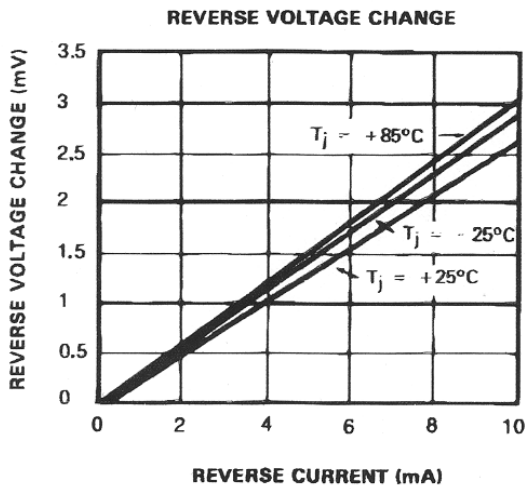
DFN-8 3*3
(Top view)

SCHEMATIC DIAGRAM

ABSOLUTE MAXIMUM RATINGS

Symbol	Parameter	LM236/LM336	Unit
I_R I_F	Current Reverse Forward	15 10	mA
T_{oper}	Operating Free-air Temperature Range	LM336-2.5: 0 to +70	°C
		LM236-2.5: -40 to +85	°C
T_{Stg}	Storage Temperature Range	-65 to +150	°C

ELECTRICAL CHARACTERISTICS

Symbol	Parameter	LM236LM336			Unit
		Min.	Typ.	Max.	
V_R	Reference Breakdown Voltage $T_{amb} = +25^\circ\text{C}$, $I_R = 1\text{mA}$ LM336	2.44	2.49	2.54	V
ΔV_R	Reverse Breakdown Voltage Change with Current $400\mu\text{A} \leq I_R \leq 10\text{mA}$ $T_{amb} = +25^\circ\text{C}$ $T_{min.} \leq T_{amb} \leq T_{max.}$		2.6 3	10 12	mV
Z_D	Reverse Dynamic Impedance ($I_R = 1\text{mA}$) $T_{amb} = +25^\circ\text{C}$ $T_{min.} \leq T_{amb} \leq T_{max.}$		0.2 0.4	1 1.4	Ω
K_{VT}	Temperature Stability ($V_R = 2.49\text{V}$, $I_R = 1\text{mA}$)		1.8	6	mV
K_{VH}	Long Term Stability ($T_{amb} = +25^\circ\text{C} \pm 0.1^\circ\text{C}$, $I_R = 1\text{mA}$)		20		ppm



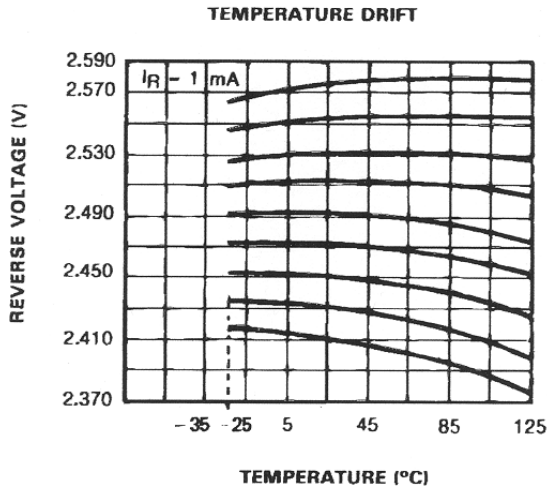
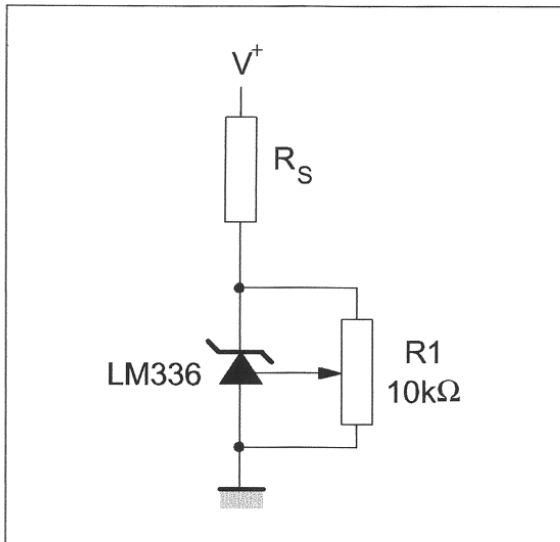


Figure 1 : The LM336 with Pot for Adjustment of Breakdown Voltage



APPLICATION HINTS

The LM336 voltage references are easier to use than zener diodes. Their low impedance and wide current range facilitate biasing in any circuits. Besides, the breakdown voltage or the temperature coefficient can be adjusted so as to optimize the performance of the circuit.

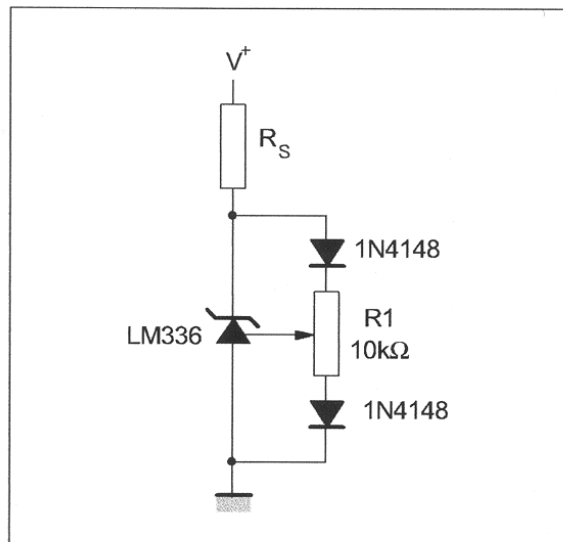
Figure 1 represents a LM336 with a 10k Ω potentiometer to adjust the reverse breakdown voltage which can be adjusted without altering the temperature coefficient of the circuit. The adjustment range is generally sufficient to adjust the initial tolerance of the circuit and the inaccuracy of the amplifier circuit.

To obtain a lower temperature coefficient two diodes can be connected in series as indicated in Figure 2.

When the circuit is adjusted to 2.49V the temperature coefficient is minimized.

For a correct temperature coefficient, the diodes should be at the same ambient temperature as the LM336. The value of $R1$ is not critical (2-20k Ω).

Figure 2 : Temperature Coefficient Adjustment



TYPICAL APPLICATIONS

Figure 3 : 2.5V Reference

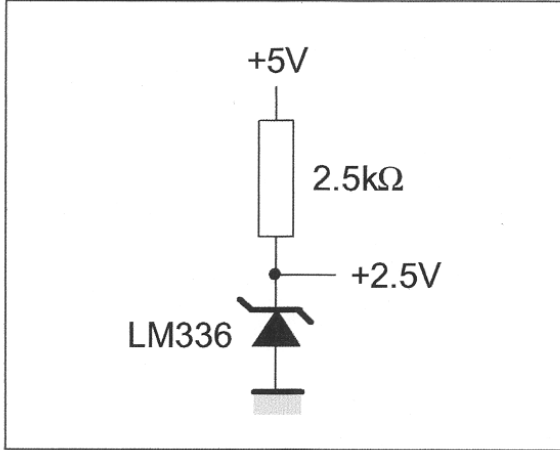


Figure 4 : Wide Input Range Reference

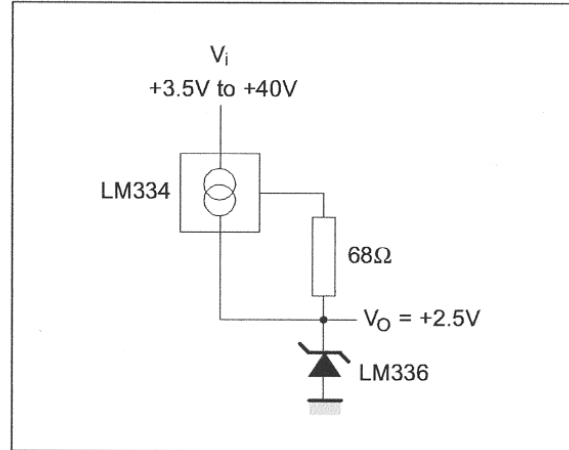


Figure 5 : Precision Power Regulator with Low Temperature Coefficient

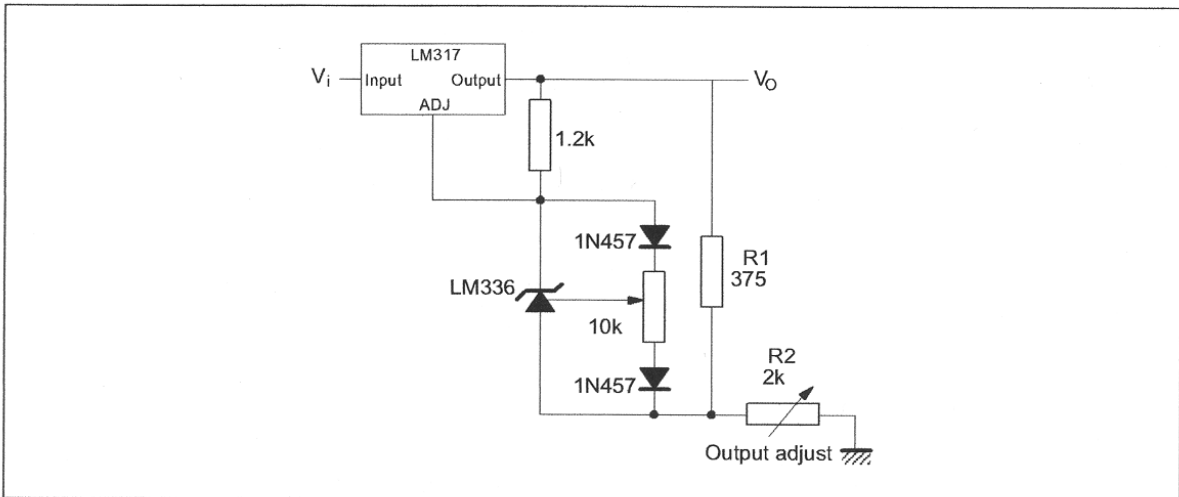


Figure 6 : Adjustable Shunt Regulator

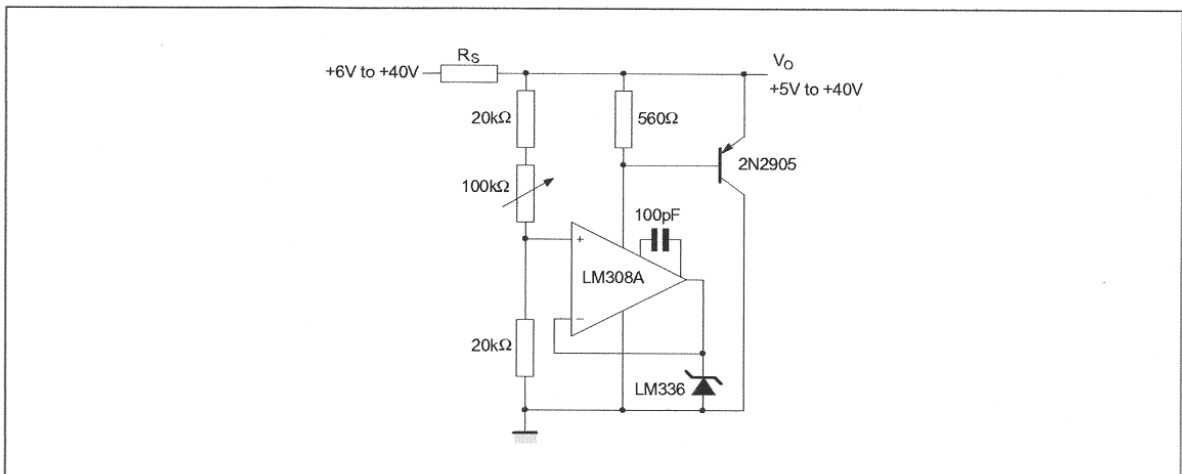


Figure 7 : Linear Ohmmeter

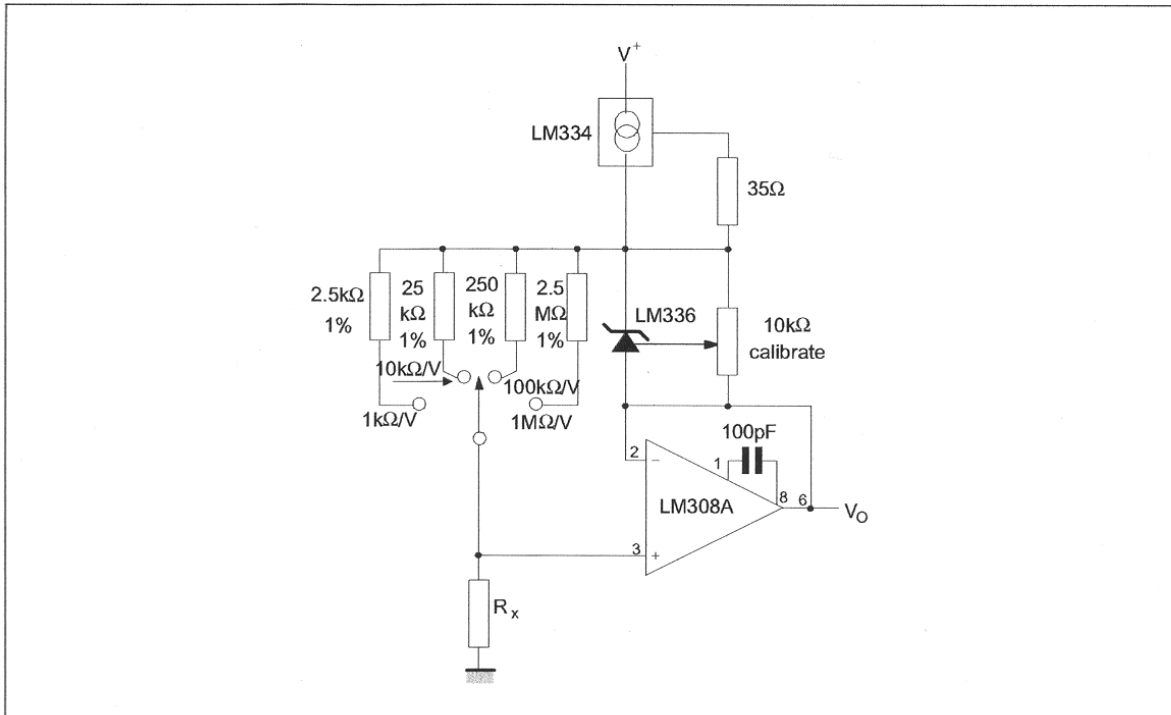


Figure 8 : Bipolar Output Reference

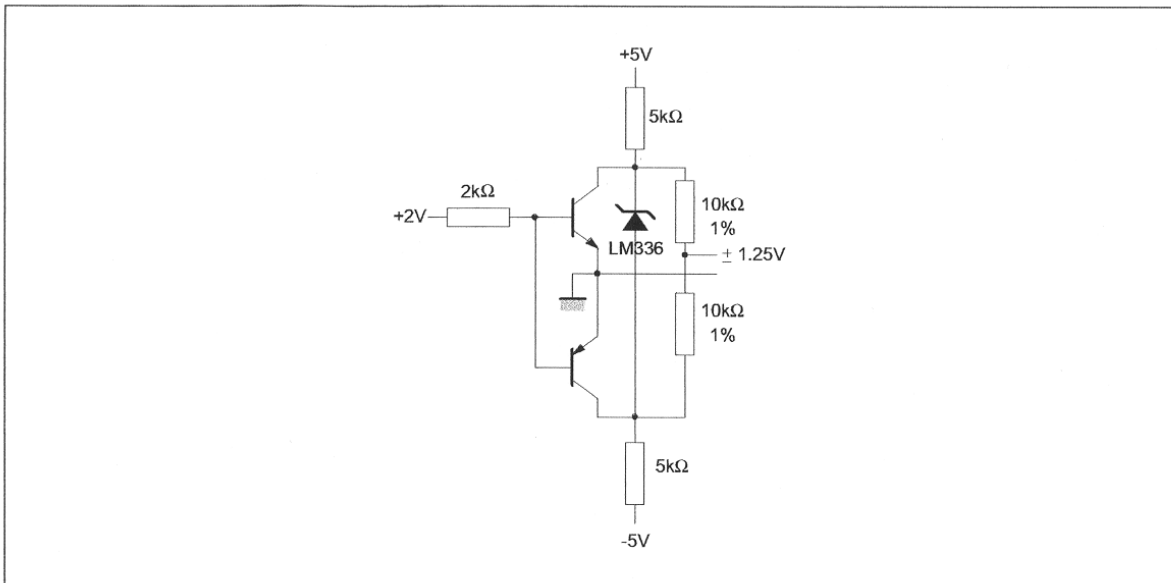


Figure 9 : 5V Buffered Reference

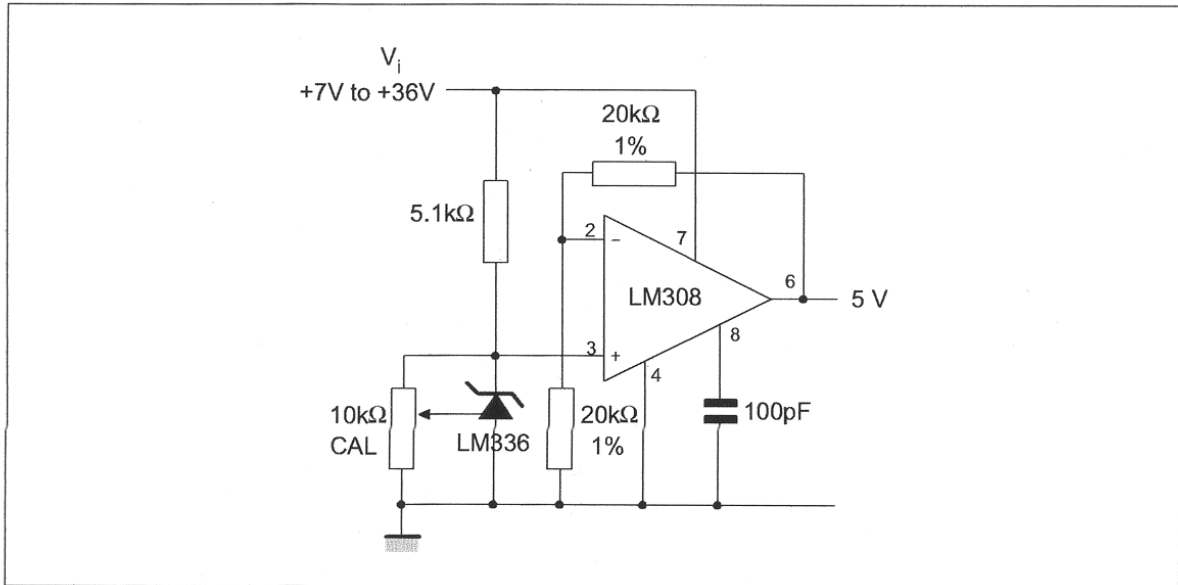
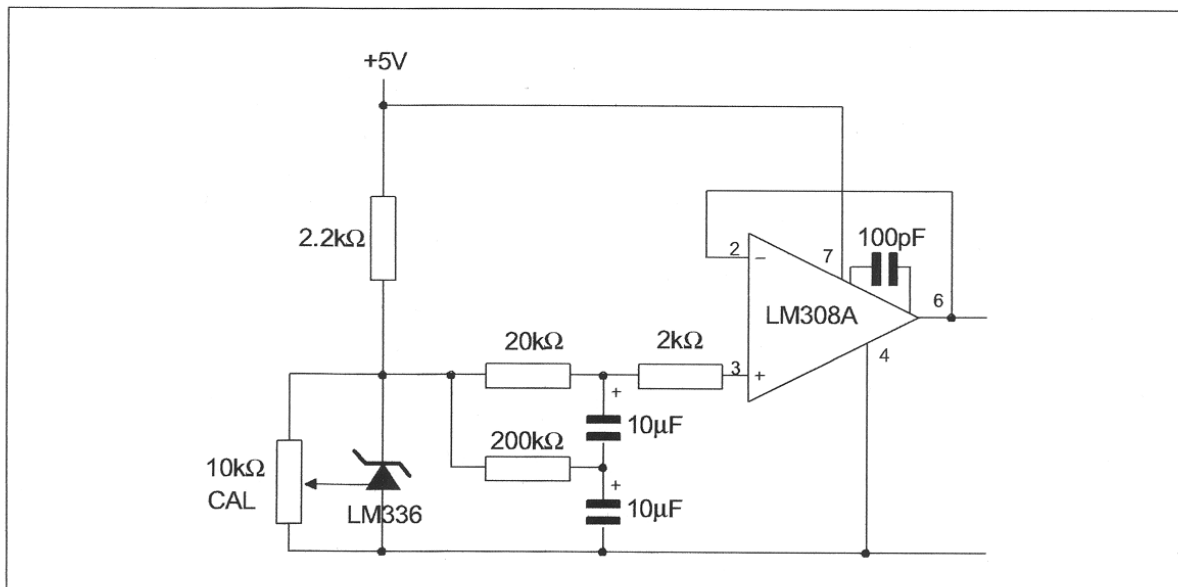


Figure 10 : Low Noise Buffered Reference



PACKAGE

SOP8

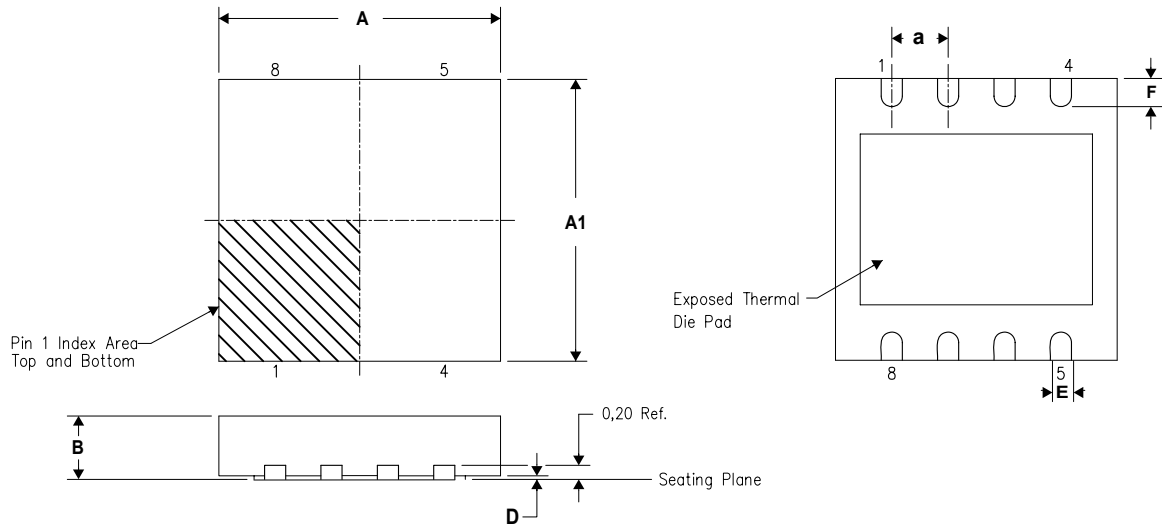
TO-92

Symbol :	Min :	Max :	Symbol :	Min :	Max :
A	1.225	1.570	D	0.400	0.950
A1	0.100	0.250	Q	0°	8°
B	4.800	5.100	a	0.420 TYP	
C	5.800	6.250	b	1.270 TYP	
C1	3.800	4.000			

Symbol :	Min :	Max :	Symbol :	Min :	Max :
A	11.200	12.700	E	3.430	3.830
A1	4.320	5.340	a	1.270 TYP	
C	4.440	5.210	b	0.485 TYP	
D	3.170	4.190	c	0.380 TYP	
D1	2.030	2.670			

PACKAGE

DFN-8(3*3)



Dimensions In Millimeters					
Symbol :	Min :	Max :	Symbol :	Min :	Max :
A	2.900	3.100	E	0.200	0.340
A1	2.900	3.100	F	0.300	0.500
B	0.800	1.000	a	0.65 TYP	
D	0.000	0.050			

Important statement:

Huaguan Semiconductor Co,Ltd. reserves the right to change the products and services provided without notice. Customers should obtain the latest relevant information before ordering, and verify the timeliness and accuracy of this information.

Customers are responsible for complying with safety standards and taking safety measures when using our products for system design and machine manufacturing to avoid potential risks that may result in personal injury or property damage.

Our products are not licensed for applications in life support, military, aerospace, etc., so we do not bear the consequences of the application of these products in these fields.

Our documentation is only permitted to be copied without any tampering with the content, so we do not accept any responsibility or liability for the altered documents.

单击下面可查看定价，库存，交付和生命周期等信息

[>>HGSEMI\(华冠\)](#)