

1MHz CMOS Rail-to-Rail IO Opamp with RF Filter

Features

- Single-Supply Operation from +1.8V ~ +6V
- Rail-to-Rail Input / Output
- Gain-Bandwidth Product: 1MHz (Typ.)
- Low Input Bias Current: 1pA (Typ.)
- Low Offset Voltage: 3.5mV (Max.)
- Quiescent Current: 75µA per Amplifier (Typ.)
- Operating Temperature: -40°C ~ +125°C
- Embedded RF Anti-EMI Filter
- Small Package:

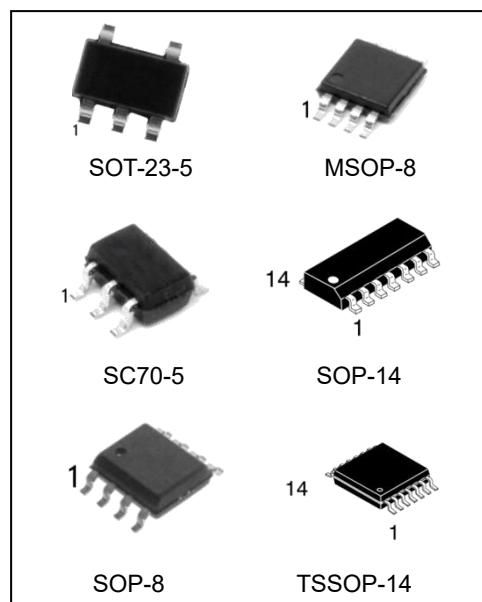
HGV6001 Available in SOT-23-5 and SC70-5 Packages

HGV6001U Available in SOT-23-5 Packages

HGV6001R Available in SOT-23-5 Packages

HGV6002 Available in SOP8 and MSOP8 Packages

HGV6004 Available in SOP14 and TSSOP14 Packages



Ordering Information

DEVICE	Package Type	MARKING	Packing	Packing Qty
HGV6001M5/TR	SOT-23-5	6001	REEL	3000pcs/reel
HGV6001UM5/TR	SOT-23-5	6001U	REEL	3000pcs/reel
HGV6001RM5/TR	SOT-23-5	6001R	REEL	3000pcs/reel
HGV6001M7/TR	SC70-5	6001	REEL	3000pcs/reel
HGV6002M/TR	SOP-8	V6002	REEL	2500pcs/reel
HGV6002MM/TR	MSOP-8	V6002	REEL	3000pcs/reel
HGV6004M/TR	SOP-14	HGV6004	REEL	2500pcs/reel
HGV6004MT/TR	TSSOP-14	V6004	REEL	2500pcs/reel

General Description

The HGV6001 family have a high gain-bandwidth product of 1MHz, a slew rate of 0.8V/ μ s, and a quiescent current of 75 μ A/amplifier at 5V. The HGV6001 family is designed to provide optimal performance in low voltage and low noise systems. They provide rail-to-rail output swing into heavy loads. The input common mode voltage range includes ground, and the maximum input offset voltage is 3.5mV for HGV6001 family. They are specified over the extended industrial temperature range (-40 $^{\circ}$ C to +125 $^{\circ}$ C). The operating range is from 1.8V to 6V. The HGV6001 single is available in Green SC70-5 and SOT-23-5 packages. The HGV6001U and HGV6001R single is available in Green SOT-23-5 packages. The HGV6002 dual is available in Green SOP-8 and MSOP-8 packages. The HGV6004 Quad is available in Green SOP-14 and TSSOP-14 packages.

Applications

- ASIC Input or Output Amplifier
- Sensor Interface
- Medical Communication
- Smoke Detectors
- Audio Output
- Piezoelectric Transducer Amplifier
- Medical Instrumentation
- Portable Systems

Pin Configuration

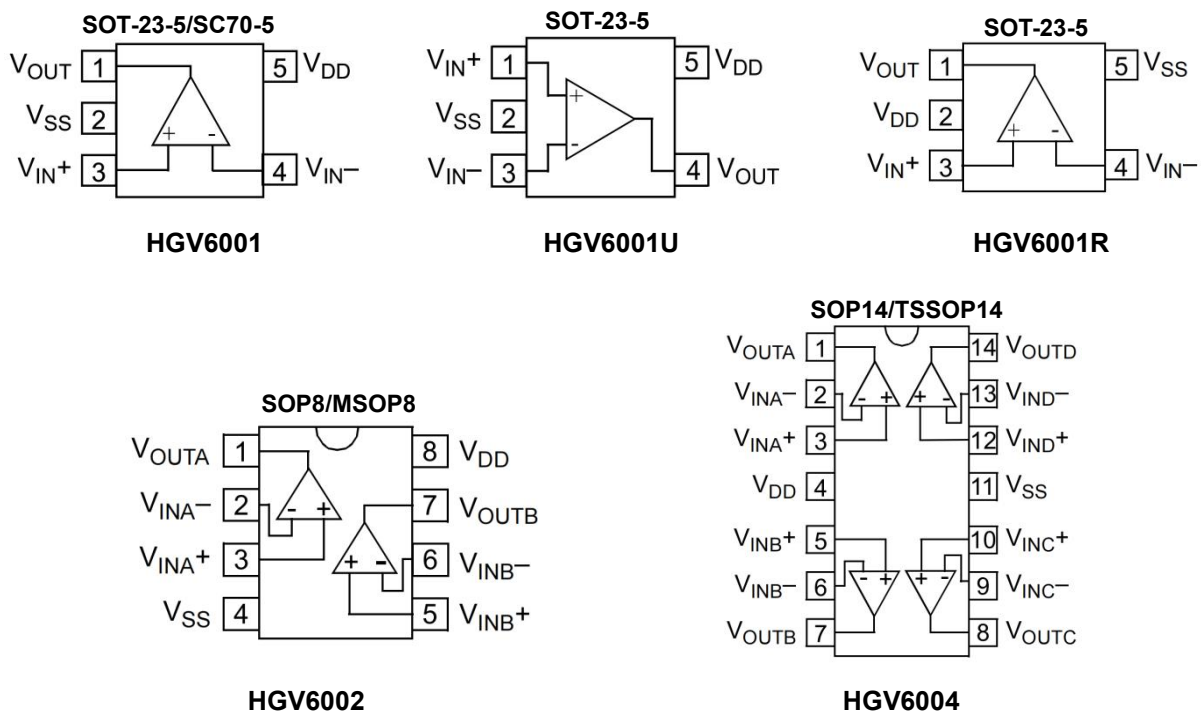


Figure 1. Pin Assignment Diagram

Absolute Maximum Ratings

Condition	Min	Max
Power Supply Voltage (VDD to Vss)	-0.5V	+7.5V
Analog Input Voltage (IN+ or IN-)	Vss-0.5V	VDD+0.5V
PDB Input Voltage	Vss-0.5V	+7V
Operating Temperature Range	-40°C	+125°C
Junction Temperature	+160°C	
Storage Temperature Range	-55°C	+150°C
Lead Temperature (soldering, 10sec)	+245°C	
Package Thermal Resistance (TA=+25°C)		
SOP-8, θ_{JA}	125°C/W	
MSOP-8, θ_{JA}	216°C/W	
SOT-23-5, θ_{JA}	190°C/W	
SC70-5, θ_{JA}	333°C/W	
ESD Susceptibility		
HBM	6KV	
MM	400V	

Note:

Stress greater than those listed under Absolute Maximum Ratings may cause permanent damage to the device. This is a stress rating only and functional operation of the device at these or any other conditions outside those indicated in the operational sections of this specification are not implied. Exposure to absolute maximum rating conditions for extended periods may affect reliability.

Electrical Characteristics

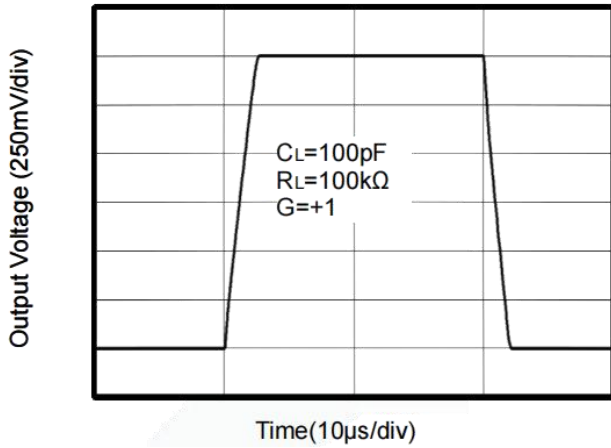
(At $V_S = +5V$, $R_L = 100k\Omega$ connected to $V_S/2$, and $V_{OUT} = V_S/2$, unless otherwise noted.)

PARAMETER	SYMBOL	CONDITIONS	HGV6001/2/4					
			TYP	MIN/MAX OVER TEMPERATURE			UNITS	MIN/MAX
			+25°C	+25°C	-40°C to +85°C			
INPUT CHARACTERISTICS								
Input Offset Voltage	VOS	$V_{CM} = V_S/2$	0.8	3.5	5.6	mV	MAX	
Input Bias Current	IB		1			pA	TYP	
Input Offset Current	IOS		1			pA	TYP	
Common-Mode Voltage Range	VCM	$V_S = 5.5V$	-0.1 to +5.6			V	TYP	
Common-Mode Rejection Ratio	CMRR	$V_S = 5.5V, V_{CM} = -0.1V$ to 4V	70	62	62	dB	MIN	
		$V_S = 5.5V, V_{CM} = -0.1V$ to 5.6V	68	56	55			
Open-Loop Voltage Gain	AOL	$R_L = 5k\Omega, V_O = +0.1V$ to +4.9V	80	70	70	dB	MIN	
		$R_L = 10k\Omega, V_O = +0.1V$ to +4.9V	100	94	85			
Input Offset Voltage Drift	$\Delta V_{OS}/\Delta T$		2.7			$\mu V/^\circ C$	TYP	
OUTPUT CHARACTERISTICS								
Output Voltage Swing from Rail	VOH	$R_L = 100k\Omega$	4.997	4.980	4.970	V	MIN	
	VOL	$R_L = 100k\Omega$	5	20	30	mV	MAX	
	VOH	$R_L = 10k\Omega$	4.992	4.970	4.960	V	MIN	
	VOL	$R_L = 10k\Omega$	8	30	40	mV	MAX	
Output Current	ISOURCE	$R_L = 10\Omega$ to $V_S/2$	84	60	45	mA	MIN	
	ISINK		75	60	45			
POWER SUPPLY								
Operating Voltage Range				1.8	1.8	V	MIN	
				6	6	V	MAX	
Power Supply Rejection Ratio	PSRR	$V_S = +2.5V$ to +6V, $V_{CM} = +0.5V$	82	60	58	dB	MIN	
Quiescent Current / Amplifier	IQ		75	110	125	μA	MAX	
DYNAMIC PERFORMANCE (CL = 100pF)								
Gain-Bandwidth Product	GBP		1			MHz	TYP	
Slew Rate	SR	G = +1, 2V Output Step	0.8			V/ μs	TYP	
Settling Time to 0.1%	tS	G = +1, 2V Output Step	5.3			μs	TYP	
Overload Recovery Time		$V_{IN} \cdot \text{Gain} = V_S$	2.6			μs	TYP	
NOISE PERFORMANCE								
Voltage Noise Density	en	f = 1kHz	27			nV/\sqrt{Hz}	TYP	
		f = 10kHz	20			nV/\sqrt{Hz}	TYP	

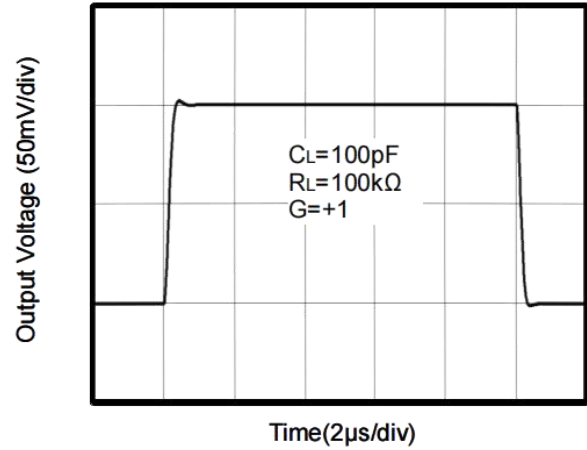
Typical Performance characteristics

At TA=+25°C, Vs=5V, RL=100KΩ connected to VS/2 and VOUT= VS/2, unless otherwise noted.

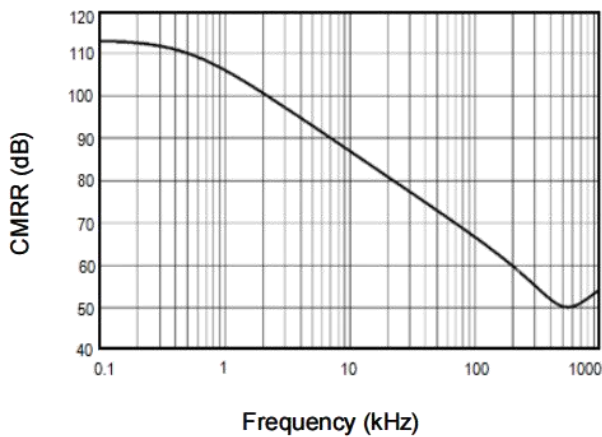
Large Signal Transient Response



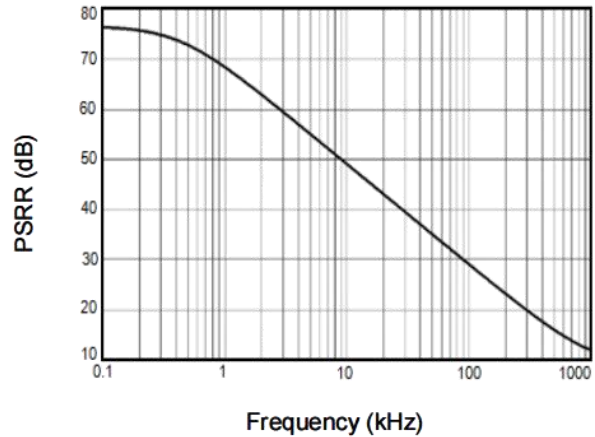
Small Signal Transient Response



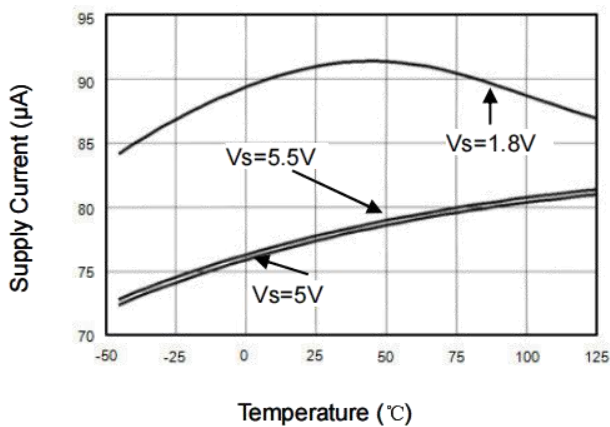
CMRR vs. Frequency



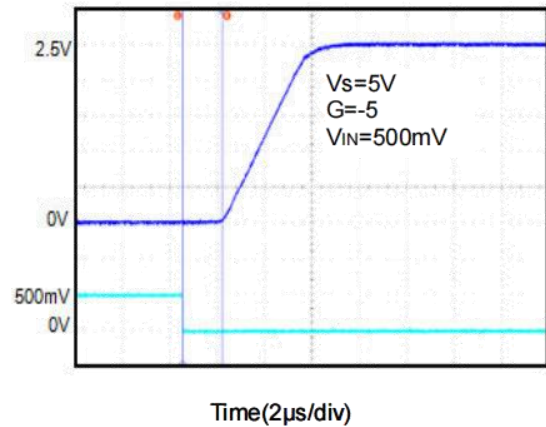
PSRR vs. Frequency



Supply Current vs. Temperature

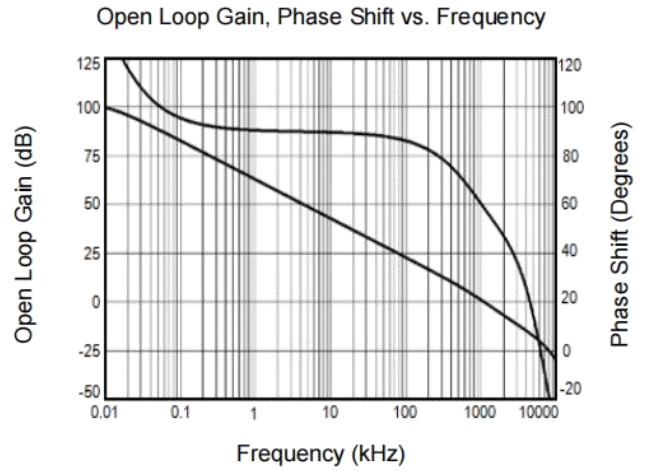
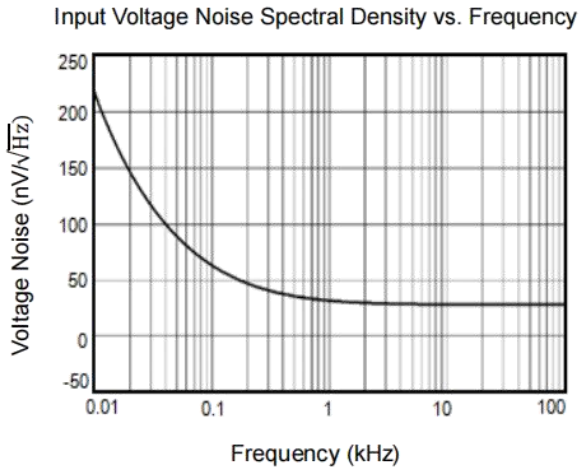
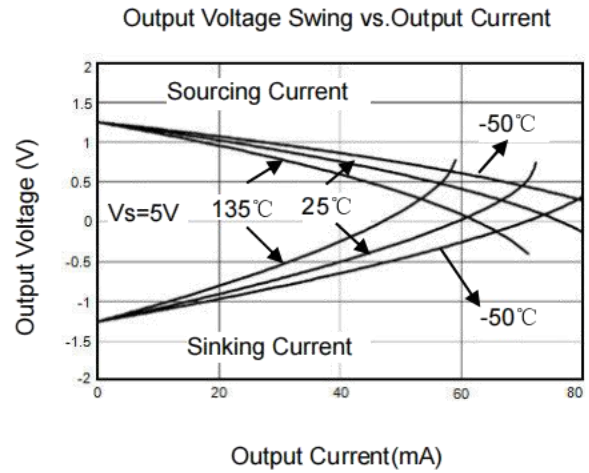
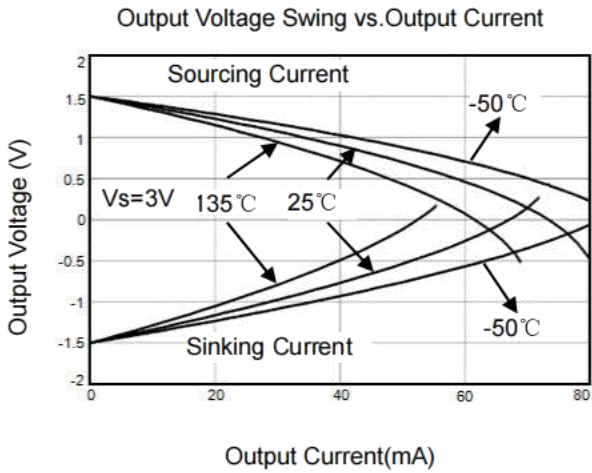


Overload Recovery Time



Typical Performance characteristics

At TA=+25°C, RL=100KΩ connected to VS/2 and VOUT= VS/2, unless otherwise noted.



Application Note

Size

HGV6001 family series op amps are unity-gain stable and suitable for a wide range of general-purpose applications. The small footprints of the HGV6001 family packages save space on printed circuit boards and enable the design of smaller electronic products.

Power Supply Bypassing and Board Layout

HGV6001 family series operates from a single 1.8V to 6V supply or dual $\pm 0.9V$ to $\pm 3V$ supplies. For best performance, a 0.1 μ F ceramic capacitor should be placed close to the VDD pin in single supply operation. For dual supply operation, both VDD and VSS supplies should be bypassed to ground with separate 0.1 μ F ceramic capacitors.

Low Supply Current

The low supply current (typical 75 μ A per channel) of HGV6001 family will help to maximize battery life. They are ideal for battery powered systems.

Operating Voltage

HGV6001 family operates under wide input supply voltage (1.8V to 6V). In addition, all temperature specifications apply from -40°C to $+125^{\circ}\text{C}$. Most behavior remains unchanged throughout the full operating voltage range. These guarantees ensure operation throughout the single Li-Ion battery lifetime.

Rail-to-Rail Input

The input common-mode range of HGV6001 family extends 100mV beyond the supply rails (VSS-0.1V to VDD+0.1V). This is achieved by using complementary input stage. For normal operation, inputs should be limited to this range.

Rail-to-Rail Output

Rail-to-Rail output swing provides maximum possible dynamic range at the output. This is particularly important when operating in low supply voltages. The output voltage of HGV6001 family can typically swing to less than 10mV from supply rail in light resistive loads ($>100\text{k}\Omega$), and 60mV of supply rail in moderate resistive loads (10k Ω).

Capacitive Load Tolerance

The HGV6001 family is optimized for bandwidth and speed, not for driving capacitive loads. Output capacitance will create a pole in the amplifier's feedback path, leading to excessive peaking and potential oscillation. If dealing with load capacitance is a requirement of the application, the two strategies to consider are (1) using a small resistor in series with the amplifier's output and the load capacitance and (2) reducing the bandwidth of the amplifier's feedback loop by increasing the overall noise gain. Figure 2 shows a unity gain follower using the series resistor strategy. The resistor isolates the output from the capacitance and, more importantly, creates a zero in the feedback path that compensates for the pole created by the output capacitance.

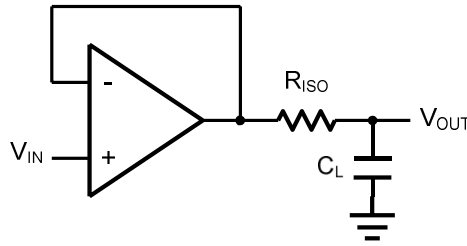


Figure 2 Indirectly Driving a Capacitive Load Using Isolation Resistor

The bigger the R_{ISO} resistor value, the more stable V_{OUT} will be. However, if there is a resistive load R_L in parallel with the capacitive load, a voltage divider (proportional to R_{ISO}/R_L) is formed, this will result in a gain error.

The circuit in Figure 3 is an improvement to the one in Figure 2. R_F provides the DC accuracy by feed-forward the V_{IN} to R_L . C_F and R_{ISO} serve to counteract the loss of phase margin by feeding the high frequency component of the output signal back to the amplifier's inverting input, thereby preserving the phase margin in the overall feedback loop. Capacitive drive can be increased by increasing the value of C_F . This in turn will slow down the pulse response.

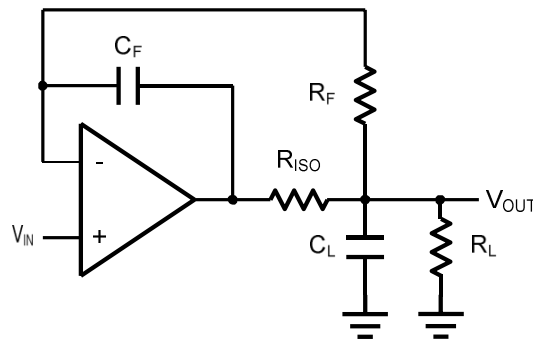


Figure 3. Indirectly Driving a Capacitive Load with DC Accuracy

Typical Application Circuits

Differential amplifier

The differential amplifier allows the subtraction of two input voltages or cancellation of a signal common the two inputs. It is useful as a computational amplifier in making a differential to single-end conversion or in rejecting a common mode signal.

Figure 4. shown the differential amplifier using HGV6001 fami.ly

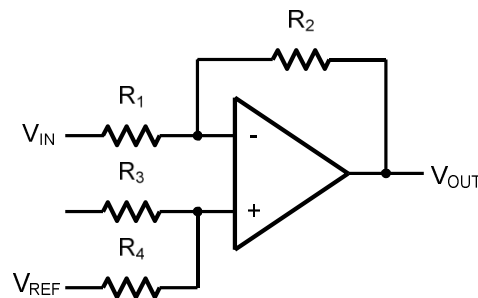


Figure 4. Differential Amplifier

$$V_{OUT} = \left(\frac{R_2+R_1}{R_3+R_4}\right) \frac{R_4}{R_1} V_{IN} - \frac{R_2}{R_1} V_{IP} + \left(\frac{R_2+R_1}{R_3+R_4}\right) \frac{R_3}{R_1} V_{REF}$$

If the resistor ratios are equal (i.e. $R_1=R_3$ and $R_2=R_4$), then

$$V_{OUT} = \frac{R_2}{R_1} (V_{IP} - V_{IN}) + V_{REF}$$

Low Pass Active Filter

The low pass active filter is shown in Figure 5. The DC gain is defined by $-R_2/R_1$. The filter has a -20dB/decade roll-off after its corner frequency $f_C=1/(2\pi R_3 C_1)$.

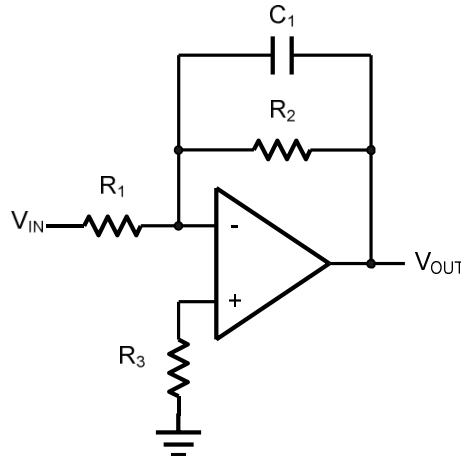


Figure 5. Low Pass Active Filter

Instrumentation Amplifier

The triple HGV6001 family can be used to build a three-op-amp instrumentation amplifier as shown in Figure 6. The amplifier in Figure 6 is a high input impedance differential amplifier with gain of R_2/R_1 . The two differential voltage followers assure the high input impedance of the amplifier.

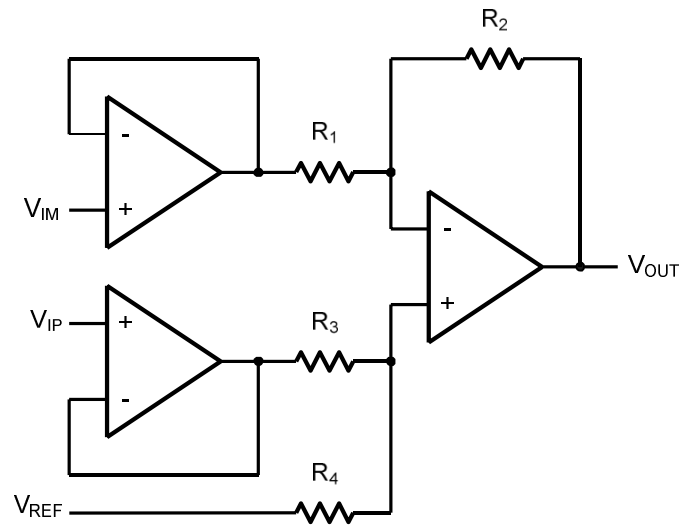
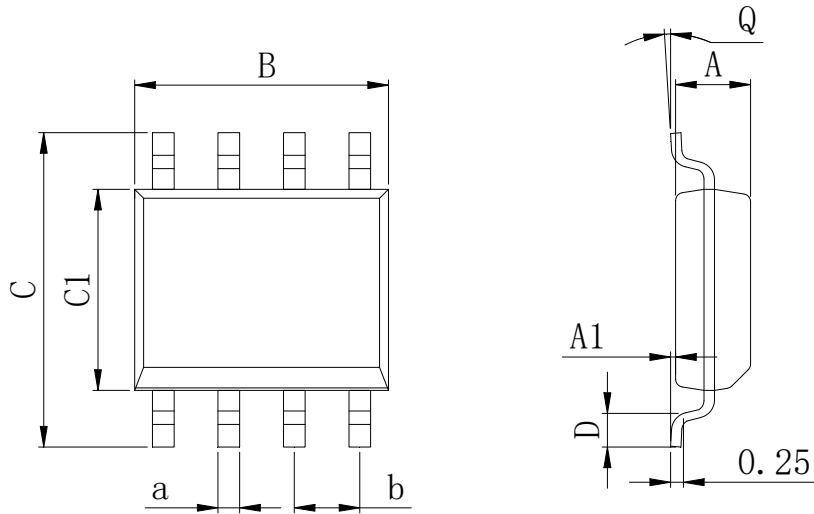


Figure 6. Instrument Amplifier

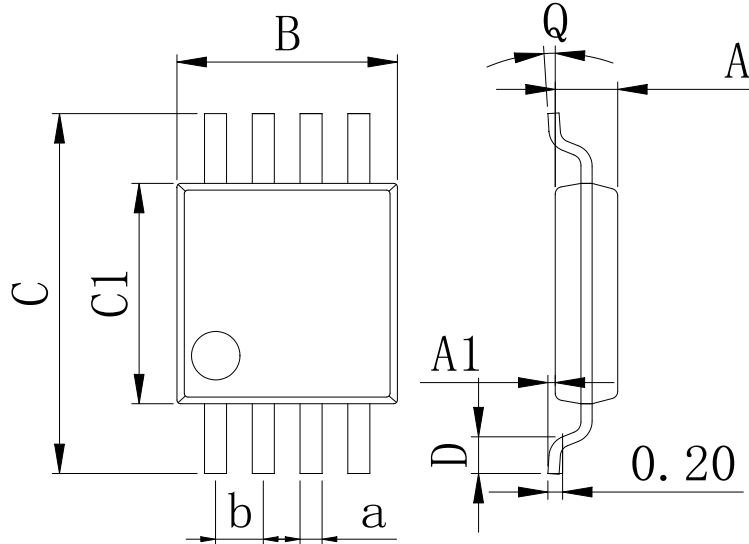
Physical Dimensions

SOP-8


Dimensions In Millimeters(SOP-8)

Symbol:	A	A1	B	C	C1	D	Q	a	b
Min:	1.35	0.05	4.90	5.80	3.80	0.40	0°	0.35	1.27 BSC
Max:	1.55	0.20	5.10	6.20	4.00	0.80	8°	0.45	

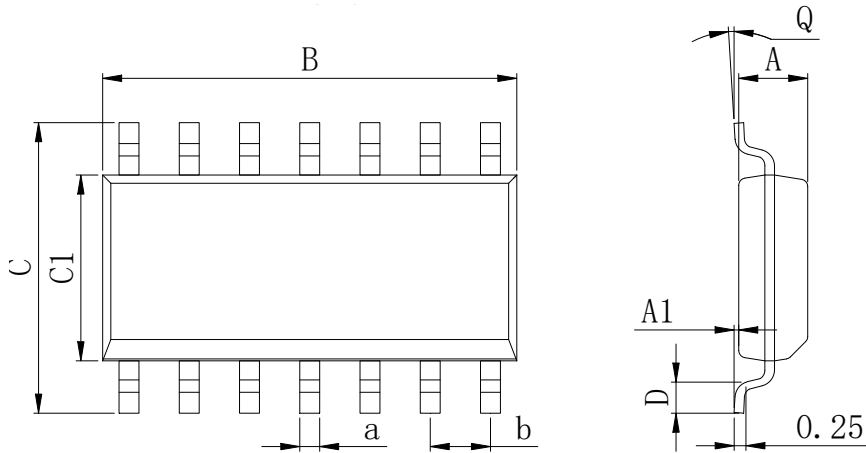
MSOP-8


Dimensions In Millimeters(MSOP-8)

Symbol:	A	A1	B	C	C1	D	Q	a	b
Min:	0.80	0.05	2.90	4.75	2.90	0.35	0°	0.25	0.65 BSC
Max:	0.90	0.20	3.10	5.05	3.10	0.75	8°	0.35	

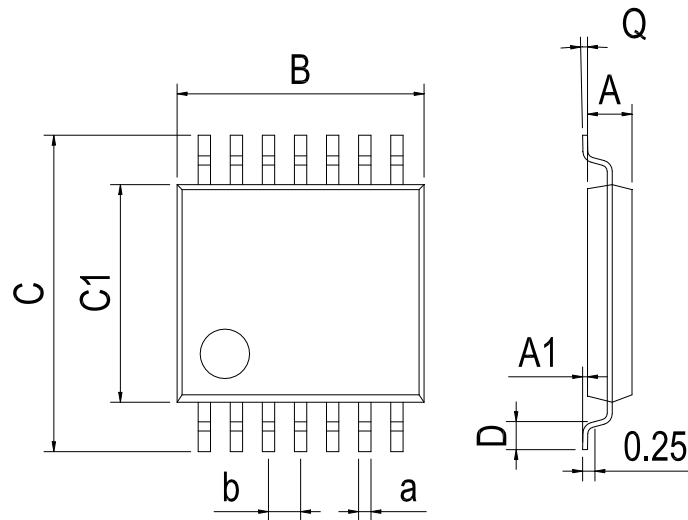
Physical Dimensions

SOP-14



Dimensions In Millimeters(SOP-14)									
Symbol:	A	A1	B	C	C1	D	Q	a	b
Min:	1.35	0.05	8.55	5.80	3.80	0.40	0°	0.35	1.27 BSC
Max:	1.55	0.20	8.75	6.20	4.00	0.80	8°	0.45	

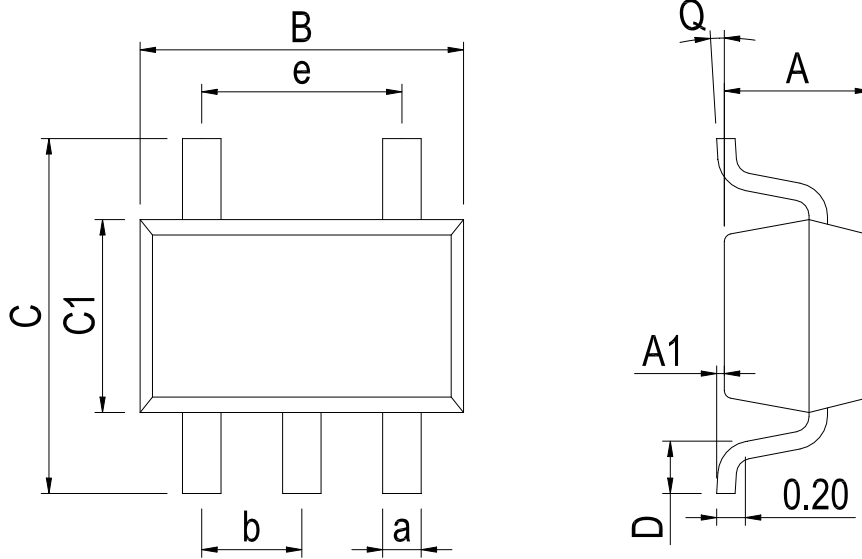
TSSOP-14



Dimensions In Millimeters(TSSOP-14)									
Symbol:	A	A1	B	C	C1	D	Q	a	b
Min:	0.85	0.05	4.90	6.20	4.30	0.40	0°	0.20	0.65 BSC
Max:	0.95	0.20	5.10	6.60	4.50	0.80	8°	0.25	

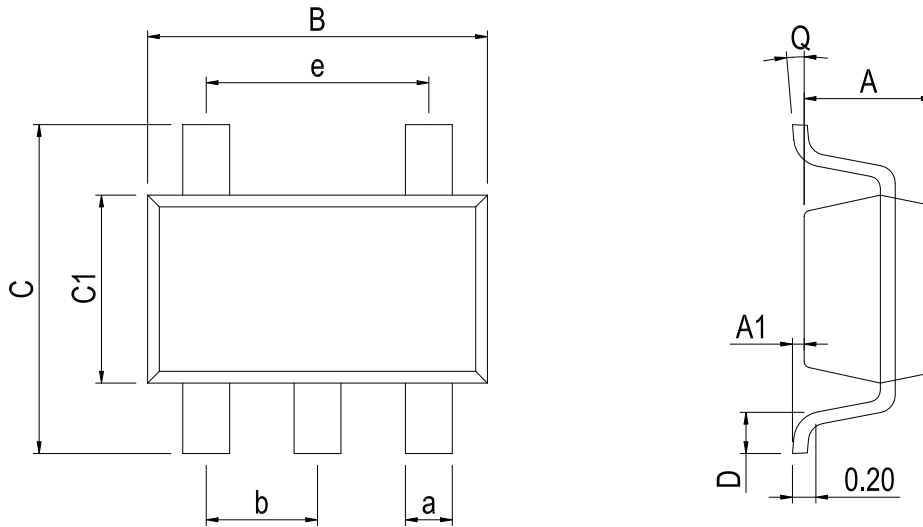
Physical Dimensions

SOT-23-5



Dimensions In Millimeters(SOT-23-5)										
Symbol:	A	A1	B	C	C1	D	Q	a	b	e
Min:	1.05	0.00	2.82	2.65	1.50	0.30	0°	0.30	0.95 BSC	1.90 BSC
Max:	1.15	0.15	3.02	2.95	1.70	0.60	8°	0.40		

SC70-5



Dimensions In Millimeters(SC70-5)										
Symbol:	A	A1	B	C	C1	D	Q	a	b	e
Min:	0.90	0.00	2.00	2.15	1.15	0.26	0°	0.15	0.65 BSC	1.30 BSC
Max:	1.00	0.15	2.20	2.45	1.35	0.46	8°	0.35		

Revision History

DATE	REVISION	PAGE
2019-3-12	New	1-14
2023-10-30	Update encapsulation type, Update Lead Temperature、 Update SC70-5 form factor	1, 3、 12

IMPORTANT STATEMENT:

Huaguan Semiconductor reserves the right to change its products and services without notice. Before ordering, the customer shall obtain the latest relevant information and verify whether the information is up to date and complete. Huaguan Semiconductor does not assume any responsibility or obligation for the altered documents.

Customers are responsible for complying with safety standards and taking safety measures when using Huaguan Semiconductor products for system design and machine manufacturing. You will bear all the following responsibilities: Select the appropriate Huaguan Semiconductor products for your application; Design, validate and test your application; Ensure that your application meets the appropriate standards and any other safety, security or other requirements. To avoid the occurrence of potential risks that may lead to personal injury or property loss.

Huaguan Semiconductor products have not been approved for applications in life support, military, aerospace and other fields, and Huaguan Semiconductor will not bear the consequences caused by the application of products in these fields. All problems, responsibilities and losses arising from the user's use beyond the applicable area of the product shall be borne by the user and have nothing to do with Huaguan Semiconductor, and the user shall not claim any compensation liability against Huaguan Semiconductor by the terms of this Agreement.

The technical and reliability data (including data sheets), design resources (including reference designs), application or other design suggestions, network tools, safety information and other resources provided for the performance of semiconductor products produced by Huaguan Semiconductor are not guaranteed to be free from defects and no warranty, express or implied, is made. The use of testing and other quality control technologies is limited to the quality assurance scope of Huaguan Semiconductor. Not all parameters of each device need to be tested.

The documentation of Huaguan Semiconductor authorizes you to use these resources only for developing the application of the product described in this document. You have no right to use any other Huaguan Semiconductor intellectual property rights or any third party intellectual property rights. It is strictly forbidden to make other copies or displays of these resources. You should fully compensate Huaguan Semiconductor and its agents for any claims, damages, costs, losses and debts caused by the use of these resources. Huaguan Semiconductor accepts no liability for any loss or damage caused by infringement.

单击下面可查看定价，库存，交付和生命周期等信息

[>>HGSEMI\(华冠\)](#)