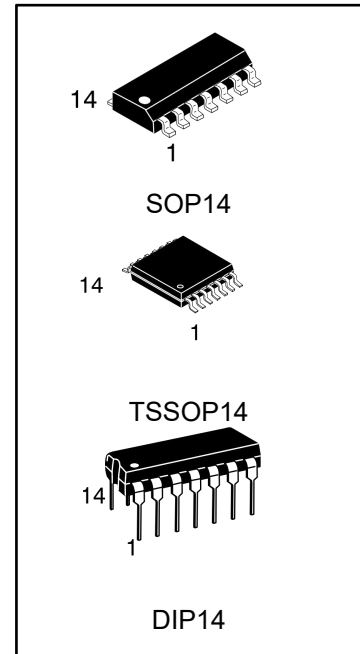


## CMOS AND Gate High-Voltage Types

### Features

CD4073B and CD4082B AND Gates provide the system with direct implementation of the AND function and supplement the existing family of CMOS gates.

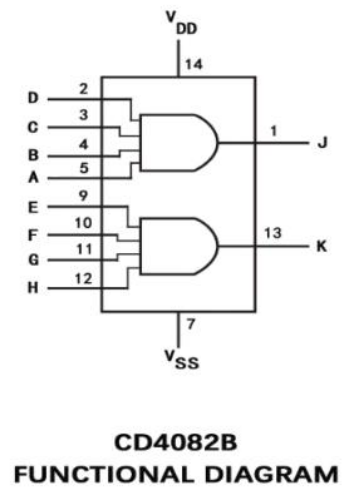
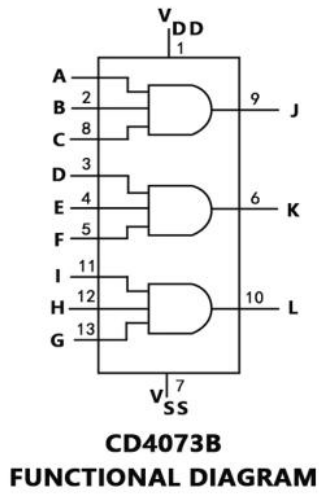
- Medium-Speed Operation - $T_{PLH}$ ,  $T_{PHL}$ =60ns (tsp.) at  $V_{DD} = 10V$
- 100% tested for quiescent current at 20V Maximum input current of 1 $\mu$ A at 18V over full package-temperature range, 100 nA at 18V and 25°C
- Noise margin (full package-temperature range)
  - 1V at  $V_{DD}$ =5V
  - 2V at  $V_{DD}$ =10V
  - 2.5V at  $V_{DD}$ =15V
- Standardized, symmetrical output characteristics
- 5V, 10V and 15V parametric ratings
- Meets all requirements of JEDEC Tentative Standard No. 13B, Standard Specifications



### Ordering Information

DEVICE	Package Type	MARKING	Packing	Packing Qty
CD4073BE	DIP14	CD4073BE	TUBE	1000pcs/box
CD4073BM/TR	SOP14	CD4073B	REEL	2500pcs/reel
CD4073BMT/TR	TSSOP14	CD4073B	REEL	2500pcs/reel
CD4082BE	DIP14	CD4082BE	TUBE	1000pcs/box
CD4082BM/TR	SOP14	CD4082B	REEL	2500pcs/reel
CD4082BMT/TR	TSSOP14	CD4082B	REEL	2500pcs/reel

Logic Diagram



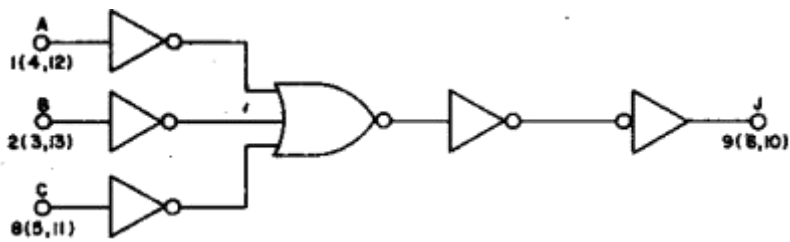
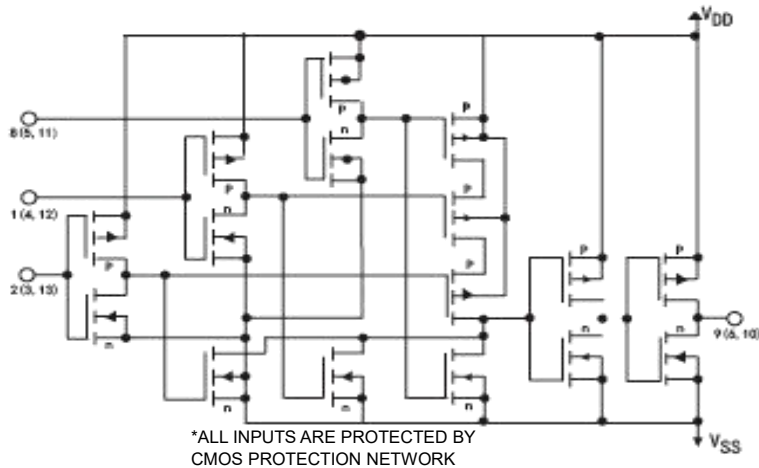


Fig.1 - Logic diagram for CD4073B(1 of 3 identical Gates).

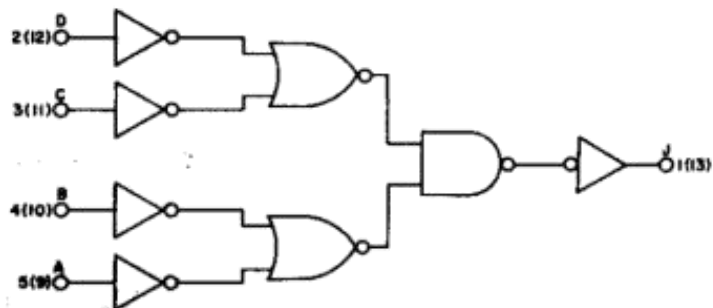
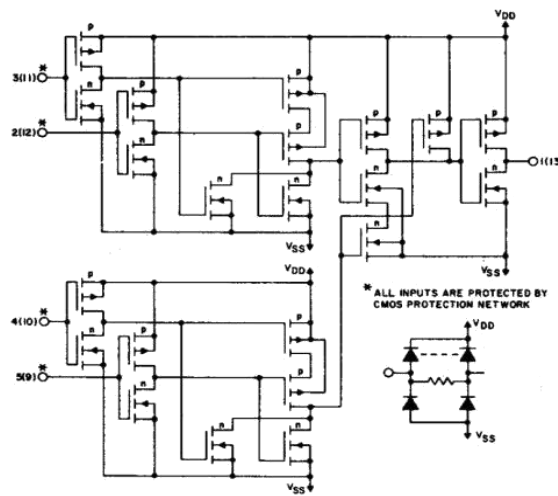
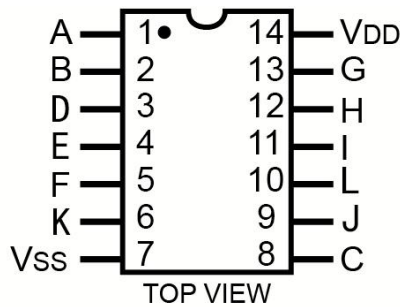
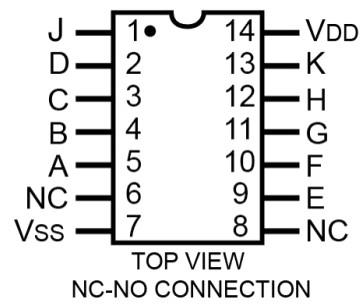


Fig.2 - Logic diagram for CD4082B (1 of 2 identical gates).

## Pin Configuration



DIP/SOP/TSSOP  
CB4073B



DIP/SOP/TSSOP  
CB4082B

## MAXIMUM RATINGS, Absolute-Maximum Values:

Condition	Min	Max	Units
<b>DC SUPPLY-VOLTAGE RANGE,(VDD):</b>			
Voltages reference to VSS Terminal)	-0.5	+20	V
INPUT VOLTAGE RANGE,ALLINPUTS	-0.5	+0.5	V
DC INPUT CURRENTANY ONE INPUT	-	+10	mA
<b>POWER DISSIPATION PER PACKAG-(PD):</b>			
For TA=55°C to +100°C	-	500	mA
For TA=+100°C to +125°C (Derate Linearity at)	12	200	mW
<b>DEVICE DISSIPATION PER OUTPUT TRANSISTOR:</b>			
FOR TA-FULL PACKAGE=TEMPERATURE RANGE(Al Package Types)	-	100	mW
OPERATING-TEMPERATURE RANGE(TA)	-40	+85	°C
STORAGE TEMPERATURE RANGE(stag)	-65	+150	°C
At distance 1/16±1/32inch(1.59+0.79mm)from case for 10s max	-	+265	°C

## Recommendedoperatingconditions

For maximum reliability, nominal operating conditions should be selected so that operation is always within the following ranges:

CHARACTERISTIC	LIMITS		UNITS
	MIN.	MAX.	
Supply-Voltage Range (for T=Full Package Temperature Range)	5	15	V

## DYNAIC ELECTRICAL CHARACTETISTICS

at TA=25°C, Input tr, ft=20ns, and CL=50 pf, RL=200KΩ

CHARACTERISTIC	TEST CONDITIOS		ALL TYPES LIMITS		UNITS
		VDD Volts	TYP.	MAX.	
Propagation Delay Time,TPHL,TPLH		5	125	250	NS
		10	60	120	
		15	40	90	
Transition Time, TPHL,TPLH		5	100	200	NS
		10	50	100	
		15	40	80	
Input Capacitance,CIN	Any Input	-	5	7.5	Pf

**STATIC ELECTRICAL CHARACTERISTICS**

CHARACTER. ISTIC	CONDITIONS			LIMITS AT INDICATED TEMPERATURES(°C)					UNITS
	VO (V)	VIN (V)	VDD (V)				+25		
				-40	+85	Min	TYP	MAX	
Quiescent Device Current, IDD Max.	-	0.5	5	0.25	7.5	-	0.01	0.25	μA
	-	0.10	10	0.5	15	-	0.01	0.5	
	-	0.15	15	1	30	-	0.01	1	
	-	0.20	20	5	150	-	0.02	5	
Output Low (Sink)Current IOL Min.	0.4	0.5	5	0.61	0.42	0.51	1	-	mA
	0.5	0.10	10	1.5	1.1	1.3	2.6	-	
	1.5	0.15	15	4	2.8	3.4	6.8	-	
Output High (Source) Current, IOH Min.	4.6	0.5	5	-0.61	-0.42	-0.51	-1	-	mA
	2.5	0.5	5	-1.8	-1.3	-1.6	-3.2	-	
	9.5	0.10	10	-1.5	-1.1	-1.3	-2.6	-	
	13.5	0.15	10	-4	-2.8	-3.4	-6.8	-	
Output Voltage Low-Level, VOL Max.	-	0.5	5	0.05		-	0	0.05	V
	-	0.10	10	0.05		-	0	0.05	
	-	0.15	15	0.05		-	0	0.05	
Output Voltage High-Level, VOH Min.	-	0.5	5	1.95		4.95	5	-	V
	-	0.10	10	9.95		9.95	10	-	
	-	0.15	15	14.95		14.95	15	-	
Input Low Voltage, VIL Max.	0.5	-	5	1.5		-	-	1.5	V
	1	-	10	3		-	-	3	
	1.5	-	15	4		-	-	4	
Input High Voltage, VIH Min.	0.5.4.5	-	5	3.5		3.5	-	-	V
	1.9	-	10	7		7	-	-	
	1.5.13.5	-	15	11		11	-	-	
Input Current VIN Max.		0.18	18	±0.1	±1	-	±10 <sup>-5</sup>	±0.1	μA

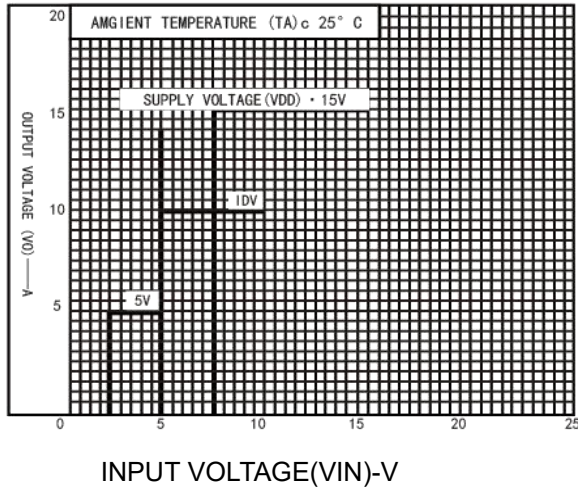


Fig.3-Typical voltage transfer characteristic.

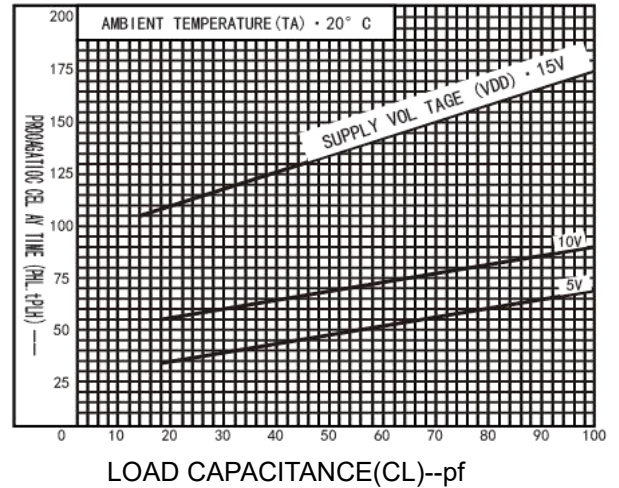


Fig.4 - Typical propagation delay time as a function of load capacitance.

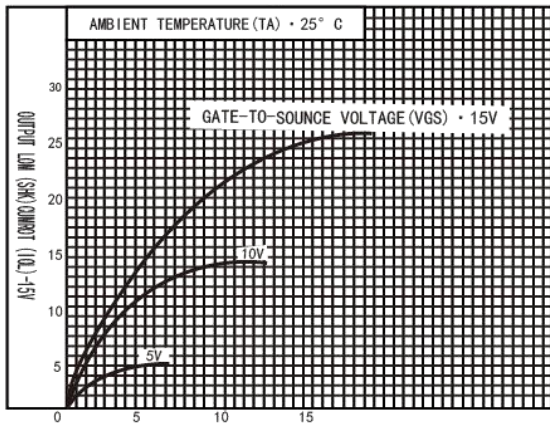


Fig.5 - Typical output low (sink) Current characteristics.

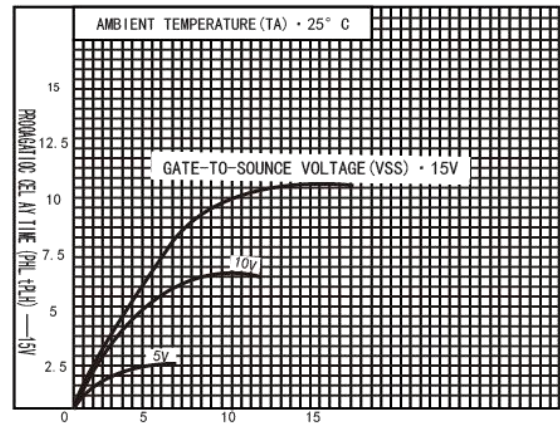


Fig.6 - Minimum output low (sink) Current characteristics.

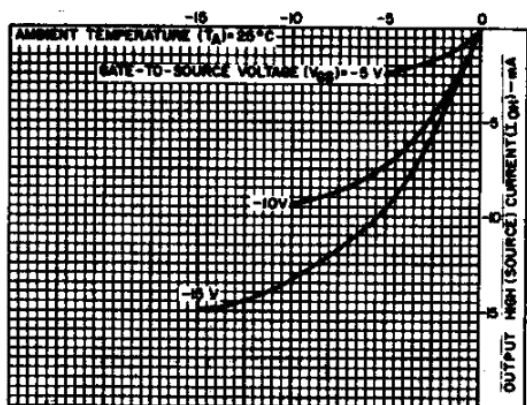


Fig.7 -Minimum output high (source) current characteristics

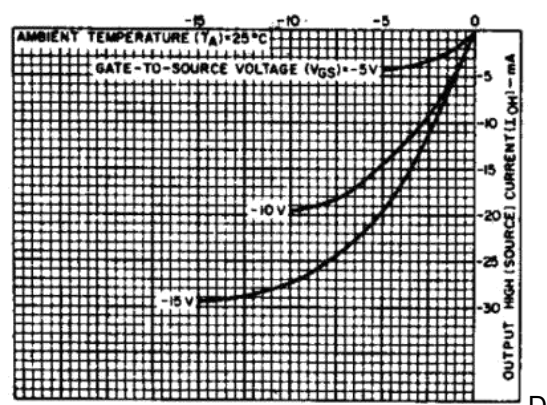


Fig.8 - Typical output high (source) current characteristics.



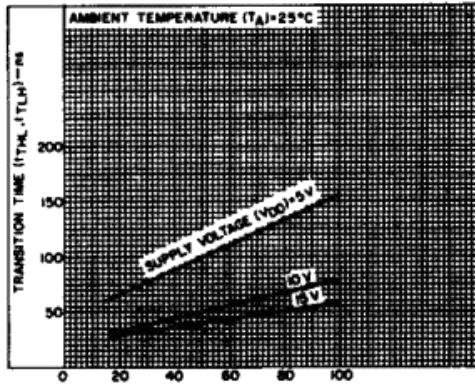


Fig.9 -Typical transition time as a function of load capacitance

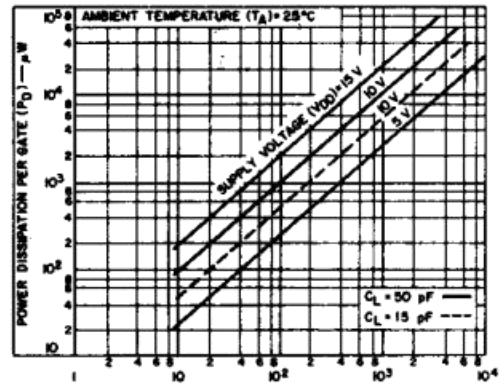


Fig.10 -Typical dynamic power dissipation per gate as a function

**TERMINAL ASSIGNMENTS**

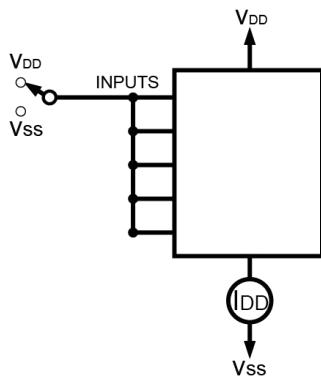


Fig.11 - Quiescent device current test circuit.

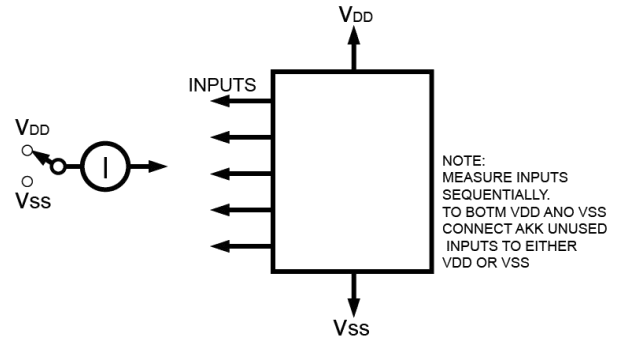


Fig.12 - Input current test circuit.

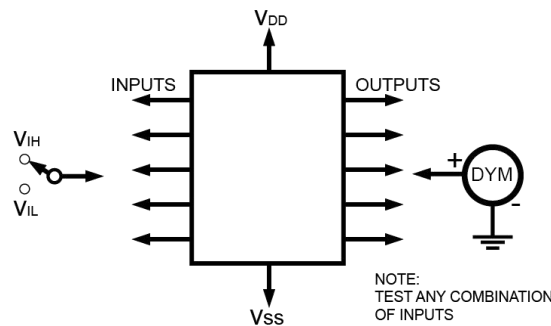
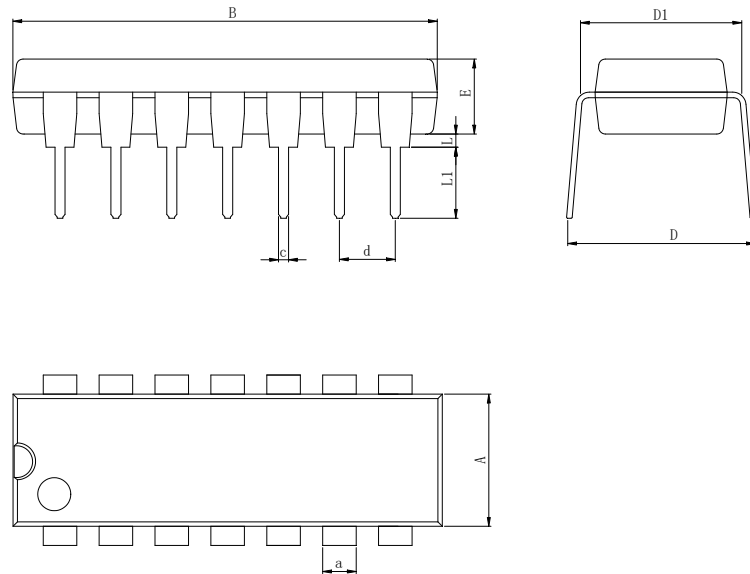


Fig.13 - Input-voltage test circuit.

## Physical Dimensions

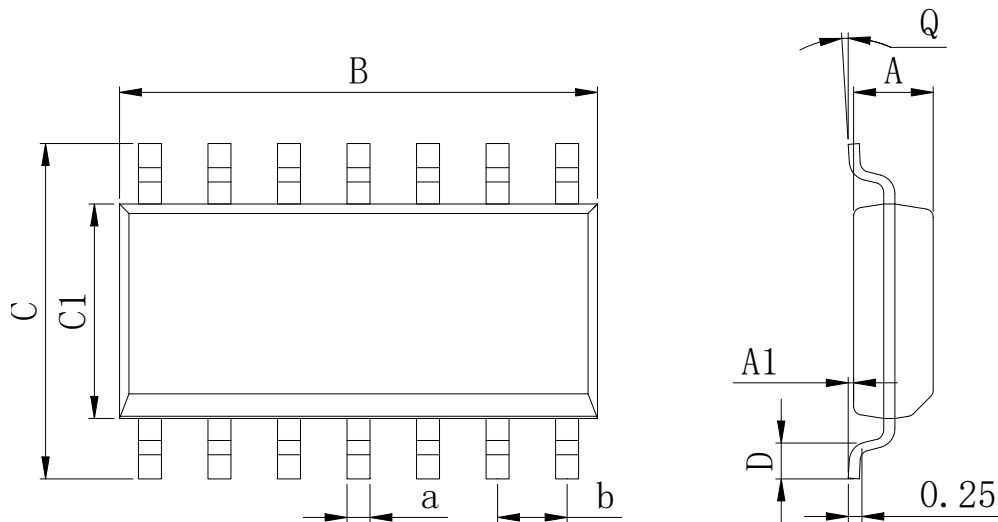
### DIP14



Dimensions In Millimeters(DIP14)

Symbol:	A	B	D	D1	E	L	L1	a	c	d
Min:	6.10	18.94	8.40	7.42	3.10	0.50	3.00	1.50	0.40	2.54 BSC
Max:	6.68	19.56	9.00	7.82	3.55	0.70	3.60	1.55	0.50	

### SOP14



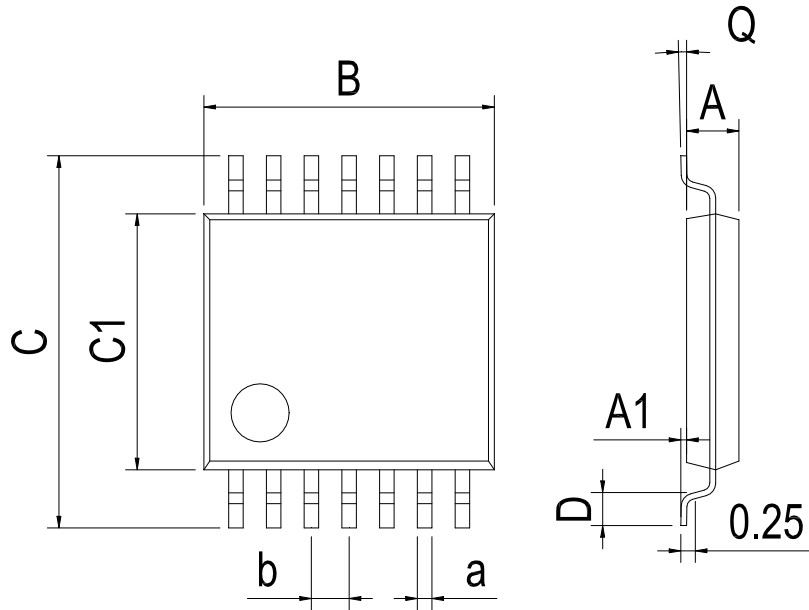
Dimensions In Millimeters(SOP14)

Symbol:	A	A1	B	C	C1	D	Q	a	b
Min:	1.35	0.05	8.55	5.80	3.80	0.40	0°	0.35	1.27 BSC
Max:	1.55	0.20	8.75	6.20	4.00	0.80	8°	0.45	



## Physical Dimensions

TSSOP14



Dimensions In Millimeters(TSSOP14)

Symbol:	A	A1	B	C	C1	D	Q	a	b
Min:	0.85	0.05	4.90	6.20	4.30	0.40	0°	0.20	0.65 BSC
Max:	0.95	0.20	5.10	6.60	4.50	0.80	8°	0.25	

**IMPORTANT STATEMENT:**

Huaguan Semiconductor reserves the right to change its products and services without notice. Before ordering, the customer shall obtain the latest relevant information and verify whether the information is up to date and complete. Huaguan Semiconductor does not assume any responsibility or obligation for the altered documents.

Customers are responsible for complying with safety standards and taking safety measures when using Huaguan Semiconductor products for system design and machine manufacturing. You will bear all the following responsibilities: select the appropriate Huaguan Semiconductor products for your application; Design, validate and test your application; Ensure that your application meets the appropriate standards and any other safety, security or other requirements. To avoid the occurrence of potential risks that may lead to personal injury or property loss.

Huaguan Semiconductor products have not been approved for applications in life support, military, aerospace and other fields, and Huaguan Semiconductor will not bear the consequences caused by the application of products in these fields.

The technical and reliability data (including data sheets), design resources (including reference designs), application or other design suggestions, network tools, safety information and other resources provided for the performance of semiconductor products produced by Huaguan Semiconductor are not guaranteed to be free from defects and no warranty, express or implied, is made. The use of testing and other quality control technologies is limited to the quality assurance scope of Huaguan Semiconductor. Not all parameters of each device need to be tested.

The documentation of Huaguan Semiconductor authorizes you to use these resources only for developing the application of the product described in this document. You have no right to use any other Huaguan Semiconductor intellectual property rights or any third party intellectual property rights. It is strictly forbidden to make other copies or displays of these resources. You should fully compensate Huaguan Semiconductor and its agents for any claims, damages, costs, losses and debts caused by the use of these resources. Huaguan Semiconductor accepts no liability for any loss or damage caused by infringement.

单击下面可查看定价，库存，交付和生命周期等信息

[>>HGSEMI\(华冠\)](#)