

## 精密可编程基准

### 特性

- 25°C 下的基准电压容差
  - 0.5% (B 级)
  - 1% (A 级)
  - 2% (标准级)
- 可调输出电压: Vref 至 36V
- 从 -40°C 至 85°C 的运行范围
- 典型温度漂移 (TL43xB)
  - 6 mV (C 级温度)
- 低输出噪声
- 0.2Ω 输出阻抗典型值
- 灌电流能力: 1mA 至 100mA



### 产品订购信息

DEVICE	Package Type	MARKING	Packing	Packing Qty
TL431CM3/TR	SOT-23	T3C3, T3CG, T3CS, T3CU	REEL	3000pcs/reel
TL431ACM3/TR	SOT-23	TAC3, TACG, TACS, TACU	REEL	3000pcs/reel
TL431BCM3/TR	SOT-23	T3G3, T3GG, T3GS, T3GU	REEL	3000pcs/reel
TL431CM5/TR	SOT-23-5	T3CG, T3CJ, T3CS	REEL	3000pcs/reel
TL431ACM5/TR	SOT-23-5	TACG, TACJ, TACS	REEL	3000pcs/reel
TL431BCM5/TR	SOT-23-5	T3GG, T3GJ, T3GU	REEL	3000pcs/reel
TL431CZ	TO-92	TL431C	BAG	1000pcs/box
TL431ACZ	TO-92	TL431AC	BAG	1000pcs/box
TL431BCZ	TO-92	431BC	BAG	1000pcs/box
TL431CMK/TR	SOT-89-3	43	REEL	1000pcs/reel
TL431ACMK/TR	SOT-89-3	4A	REEL	1000pcs/reel
TL431BCMK/TR	SOT-89-3	4C	REEL	1000pcs/reel
TL431CM/TR	SOP-8	TL431C	REEL	2500pcs/reel
TL431ACM/TR	SOP-8	431AC	REEL	2500pcs/reel
TL431BCM/TR	SOP-8	431BC	REEL	2500pcs/reel
TL431ACM7/TR	SC70-6	T4S, T4U	REEL	3000pcs/reel
TL431BCM7/TR	SC70-6	T2U	REEL	3000pcs/reel
TL432CM3/TR	SOT-23	T4CG, T4CS, T4CU	REEL	3000pcs/reel
TL432ACM3/TR	SOT-23	T4B3, T4BG, T4BS, T4BU	REEL	3000pcs/reel

TL432BCM3/TR	SOT-23	TBCG, TBCS, TBCU	REEL	3000pcs/reel
TL432CMK/TR	SOT-89-3	2A	REEL	1000pcs/reel
TL432BCM/TR	SOT-89-3	2G	REEL	1000pcs/reel
TL432CM5/TR	SOT-23-5	T4CG, T4CJ, T4CU	REEL	3000pcs/reel
TL432ACM5/TR	SOT-23-5	T4BG, T4BJ, T4BU	REEL	3000pcs/reel
TL432BCM5/TR	SOT-23-5	TBCJ, TBCU	REEL	3000pcs/reel
TL431IM3/TR	SOT-23	T3I3, T3IG, T3IS, T3IU	REEL	3000pcs/reel
TL431AIM3/TR	SOT-23	T3AG, T3AI3, T3AIS, T3AIU	REEL	3000pcs/reel
TL431BIM3/TR	SOT-23	T3F3, T3FG, T3FS, T3FU	REEL	3000pcs/reel
TL431IM5/TR	SOT-23-5	T3IG, T3IJ, T3IS	REEL	3000pcs/reel
TL431AIM5/TR	SOT-23-5	T3AIG, T3AIJ, T3AIU	REEL	3000pcs/reel
TL431BIM5/TR	SOT-23-5	T3FG, T3FJ, T3FU	REEL	3000pcs/reel
TL431IZ	TO-92	TL431I	BAG	1000pcs/box
TL431AIZ	TO-92	TL431AI	BAG	1000pcs/box
TL431BIZ	TO-92	Z431B	BAG	1000pcs/box
TL431IMK/TR	SOT-89-3	3I	REEL	1000pcs/reel
TL431AIMK/TR	SOT-89-3	4B	REEL	1000pcs/reel
TL431BIMK/TR	SOT-89-3	4I	REEL	1000pcs/reel
TL431IM/TR	SOP-8	TL431I	REEL	2500pcs/reel
TL431AIM/TR	SOP-8	431AI	REEL	2500pcs/reel
TL431BIM/TR	SOP-8	Z431B	REEL	2500pcs/reel
TL431AIM7/TR	SC70-6	T5U	REEL	3000pcs/reel
TL431BIM7/TR	SC70-6	T3U	REEL	3000pcs/reel
TL432IM3/TR	SOT-23	T4IG, T4IS, T4IU	REEL	3000pcs/reel
TL432AIM3/TR	SOT-23	T4A3, T4AG, T4AS, T4AU	REEL	3000pcs/reel
TL432BIM3/TR	SOT-23	T4F3, T4FG, T4FS, T4FU	REEL	3000pcs/reel
TL432IMK/TR	SOT-89-3	2B	REEL	1000pcs/reel
TL432AIMK/TR	SOT-89-3	2E	REEL	1000pcs/reel
TL432BIMK/TR	SOT-89-3	2H	REEL	1000pcs/reel
TL432IM5/TR	SOT-23-5	T4IG, T4IJ, T4IU	REEL	3000pcs/reel
TL432AIM5/TR	SOT-23-5	T4AG, T4AJ, T4AU	REEL	3000pcs/reel

## 概述

TL431 和 TL432 器件是三端可调节并联稳压器。可以通过两个外部电阻器将输出电压设置为介于  $V_{ref}$  (约为 2.5V) 和 36V 之间的任意值。

这些器件具有  $0.2\Omega$  的输出阻抗典型值。有源输出电路可提供非常急剧的导通特性，从而使这些器件在许多应用中成为齐纳二极管的出色替代品，这些应用包括板载稳压、可调节电源和开关电源。TL432 器件具有与 TL431 器件完全相同的功能和电气特性，但是具有不同的封装引脚排列。

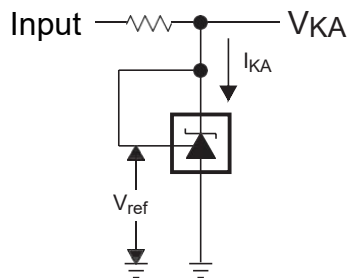
TL431 和 TL432 器件都具有 B、A 和标准三个等级， $25^{\circ}\text{C}$  下的初始容差分别为 0.5%、1% 和 2%。此外，低输出温漂可确保在整个温度范围内保持出色的稳定性。

TL43xxC 器件运行温度范围为  $0^{\circ}\text{C}$  至  $70^{\circ}\text{C}$ 。TL43xxI 器件运行温度范围为  $-40^{\circ}\text{C}$  至  $85^{\circ}\text{C}$ 。

## 应用

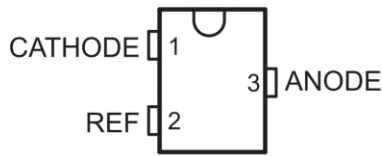
- 可调节电压和电流基准
- 反激式开关模式电源 (SMPS) 中的二次侧稳压
- 齐纳二极管替代产品
- 电压监视
- 具有集成式基准的比较器

简化电路原理图

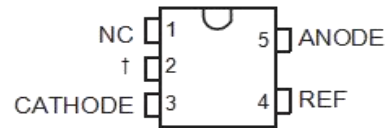


**引脚功能**

NAME	PIN									TYPE	DESCRIPTION
	TL431x						TL432x				
	SOT-23	SOT-23-5	SOT-89	SOP8	TO-92	SC70-6	SOT-23	SOT-23-5	SOT-89		
CATHODE	1	3	3	1	1	1	2	4	1	I/O	Shunt Current/Voltage input
REF	2	4	1	8	3	3	1	5	3	I	Threshold relative to common anode
ANODE	3	5	2	2, 3, 6, 7	2	6	3	2	2	O	Common pin, normally connected to ground

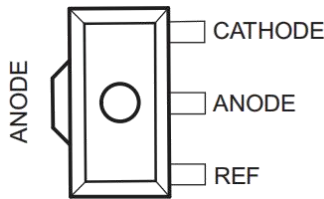
**引脚配置**


TL431/SOT-23

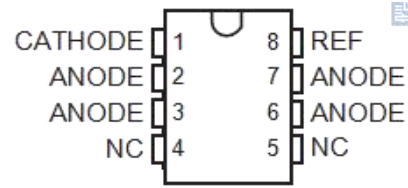


† Pin 2 is attached to Substrate and must be connected to ANODE or left open.

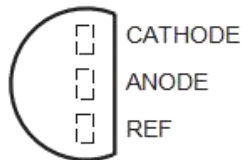
TL431/SOT-23-5



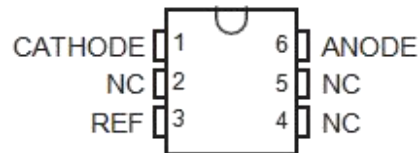
TL431/SOT-89



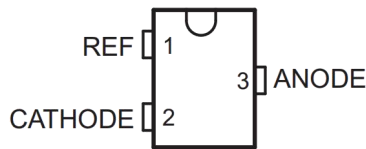
TL431/SOP8



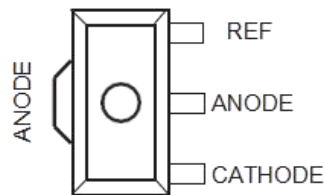
TL431/TO-92



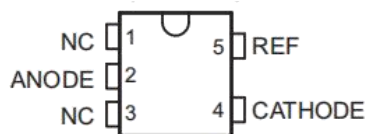
TL431/SC70-6



TL432/SOT-23



TL432/SOT-89



TL432/SOT-23-5

## 绝对最大额定参数：

超过工作自由空气温度范围（除非另有说明）

		MIN	MAX	UNIT
V <sub>KA</sub>	Cathode voltage <sup>(2)</sup>		37	V
I <sub>KA</sub>	Continuous cathode current range	-100	150	mA
I <sub>I(ref)</sub>	Reference input current range	-0.05	10	mA
T <sub>J</sub>	Operating virtual junction temperature		150	°C
T <sub>stg</sub>	Storage temperature range	-65	150	°C
T <sub>L</sub>	Lead Temperature (Soldering, 10 seconds)	-	245	°C

注：极限参数是指无论在任何条件下都不能超过的极限值。万一超过此极限值，将有可能造成产品劣化等物理性损伤；同时在接近极限参数下，不能保证芯片可以正常工作。

## ESD 评级

		VALUE	UNIT
V <sub>(ESD)</sub>	Electrostatic discharge	Human-body model (HBM), per ANSI/ESDA/JEDEC JS-001 <sup>(1)</sup>	±2000
		Charged-device model (CDM), per JEDEC specification JESD22-C101 <sup>(2)</sup>	±1000

1. JEDEC 文件 JEP155 指出，500-V HBM 允许使用标准的 ESD 控制过程进行安全制造。通过必要的预防措施，可以制造 HBM 小于 500-V 的产品。

2. JEDEC 文件 JEP157 指出，250-V CDM 允许使用标准的 ESD 控制过程进行安全制造。通过必要的预防措施，可以制造 CDM 小于 250V 的产品。

## 热信息

THERMAL METRIC <sup>(1)</sup>		TL43xx									UNIT
		8 PINS				6 PINS	5 PINS	3 PINS			
R <sub>θJA</sub>	Junction-to-ambient thermal resistance	85	149	97	95	259	206	206	140	52	°C/W
R <sub>θJC(top)</sub>	Junction-to-case (top) thermal resistance	57	65	39	46	87	131	76	55	9	

## 推荐操作条件

		MIN	MAX	UNIT
V <sub>KA</sub>	Cathode voltage	V <sub>ref</sub>	36	V
I <sub>KA</sub>	Cathode current	1	100	mA
T <sub>A</sub>	Operating free-air temperature	TL43xxC	0	70
		TL43xxI	-40	85

3. 最大功耗是 T<sub>J(max)</sub>、θ<sub>JA</sub> 和 T<sub>A</sub> 的函数。任何允许环境温度下的最大允许功耗为 PD = (T<sub>J(max)</sub> - T<sub>A</sub>) / θ<sub>JA</sub>。在绝对最大 T<sub>J</sub> 为 150C 下运行会影响可靠性。

## 电器特性, TL431C, TL432C

超过推荐的操作条件, TA=25°C (除非另有说明)

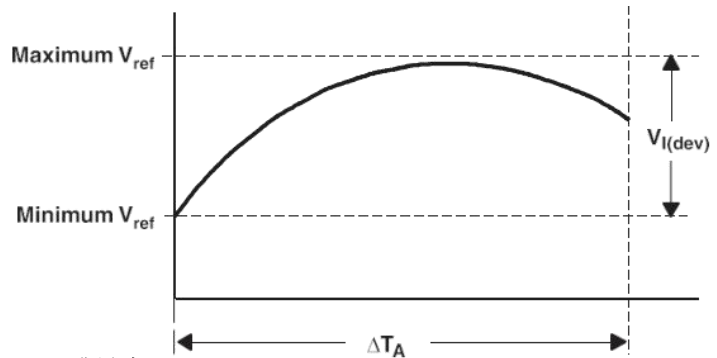
PARAMETER	TEST CIRCUIT	TEST CONDITIONS	TL431C, TL432C			UNIT	
			MIN	TYP	MAX		
V <sub>ref</sub>	Reference voltage	See Figure 20	V <sub>KA</sub> = V <sub>ref</sub> , I <sub>KA</sub> = 10 mA			mV	
V <sub>I(dev)</sub>	Deviation of reference input voltage over full temperature range <sup>(1)</sup>	See Figure 20	V <sub>KA</sub> = V <sub>ref</sub> , I <sub>KA</sub> = 10 mA,	SOT-23 and TL432 devices	6	16	mV
				All other devices	4	25	
ΔV <sub>ref</sub> / ΔV <sub>KA</sub>	Ratio of change in reference voltage to the change in cathode voltage	See Figure 21	I <sub>KA</sub> = 10 mA	ΔV <sub>KA</sub> = 10 V - V <sub>ref</sub>	-1.4	-2.7	mV/V
				ΔV <sub>KA</sub> = 36 V - 10 V	-1	-2	
I <sub>ref</sub>	Reference input current	See Figure 21	I <sub>KA</sub> = 10 mA, R1 = 10 kΩ, R2 = ∞			μA	
I <sub>I(dev)</sub>	Deviation of reference input current over full temperature range <sup>(1)</sup>	See Figure 21	I <sub>KA</sub> = 10 mA, R1 = 10 kΩ, R2 = ∞			μA	
I <sub>min</sub>	Minimum cathode current for regulation	See Figure 20	V <sub>KA</sub> = V <sub>ref</sub>			mA	
I <sub>off</sub>	Off-state cathode current	See Figure 22	V <sub>KA</sub> = 36 V, V <sub>ref</sub> = 0			μA	
z <sub>KA</sub>	Dynamic impedance <sup>(2)</sup>	See Figure 20	V <sub>KA</sub> = V <sub>ref</sub> , f ≤ 1 kHz, I <sub>KA</sub> = 1 mA to 100 mA			Ω	

偏差参数 V<sub>ref(dev)</sub> 和 I<sub>ref(dev)</sub> 被定义为在额定温度范围内获得的最大值和最小值之间的差异。参考输入电压 αV<sub>ref</sub> 的平均全范围温度系数定义为:

$$\left| \alpha_{V_{ref}} \right| \left( \frac{\text{ppm}}{\text{°C}} \right) = \frac{\left( \frac{V_{I(\text{dev})}}{V_{ref \text{ at } 25^{\circ}\text{C}}} \right) \times 10^6}{\Delta T_A}$$

where:

ΔT<sub>A</sub> is the rated operating temperature range of the device.



αV<sub>ref</sub> 是正或负, 取决于在较低温度下 V<sub>ref</sub> 是最小 V<sub>ref</sub> 或最大 V<sub>ref</sub>。

动态阻抗的定义为:  $|z_{KA}| = \frac{\Delta V_{KA}}{\Delta I_{KA}}$

当设备使用两个外部电阻运行时 (见图 21), 电路的总动态阻抗为  $|z'| = \frac{\Delta V}{\Delta I}$

它近似地等于:  $|z_{KA}| \left( 1 + \frac{R1}{R2} \right)$ 。

## 电器特性, TL431I, TL432I

超过推荐的操作条件, TA=25°C (除非另有说明)

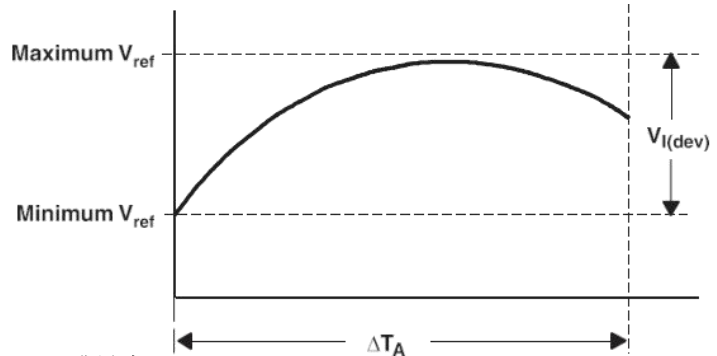
PARAMETER	TEST CIRCUIT	TEST CONDITIONS	TL431I, TL432I			UNIT	
			MIN	TYP	MAX		
V <sub>ref</sub>	Reference voltage	See Figure 20 V <sub>KA</sub> = V <sub>ref</sub> , I <sub>KA</sub> = 10 mA	2440	2495	2550	mV	
V <sub>I(dev)</sub>	Deviation of reference input voltage over full temperature range <sup>(1)</sup>	See Figure 20 V <sub>KA</sub> = V <sub>ref</sub> , I <sub>KA</sub> = 10 mA	SOT-23 and TL432 devices		14	34	mV
			All other devices		5	50	
ΔV <sub>ref</sub> / ΔV <sub>KA</sub>	Ratio of change in reference voltage to the change in cathode voltage	See Figure 21 I <sub>KA</sub> = 10 mA	ΔV <sub>KA</sub> = 10 V - V <sub>ref</sub>		-1.4	-2.7	mV/V
			ΔV <sub>KA</sub> = 36 V - 10 V		-1	-2	
I <sub>ref</sub>	Reference input current	See Figure 21 I <sub>KA</sub> = 10 mA, R1 = 10 kΩ, R2 = ∞		2	4	μA	
I <sub>I(dev)</sub>	Deviation of reference input current over full temperature range <sup>(1)</sup>	See Figure 21 I <sub>KA</sub> = 10 mA, R1 = 10 kΩ, R2 = ∞		0.8	2.5	μA	
I <sub>min</sub>	Minimum cathode current for regulation	See Figure 20 V <sub>KA</sub> = V <sub>ref</sub>	0.4			mA	
			1				
I <sub>off</sub>	Off-state cathode current	See Figure 22 V <sub>KA</sub> = 36 V, V <sub>ref</sub> = 0	0.1			μA	
			1				
z <sub>KA</sub>	Dynamic impedance <sup>(2)</sup>	See Figure 20 V <sub>KA</sub> = V <sub>ref</sub> , f ≤ 1 kHz, I <sub>KA</sub> = 1 mA to 100 mA		0.2	0.5	Ω	

偏差参数 V<sub>ref(dev)</sub>和 I<sub>ref(dev)</sub>被定义为在额定温度范围内获得的最大值和最小值之间的差异。参考输入电压 αV<sub>ref</sub> 的平均全范围温度系数定义为:

$$\left| \alpha_{V_{ref}} \right| \left( \frac{ppm}{^{\circ}C} \right) = \frac{\left( \frac{V_{I(dev)}}{V_{ref \text{ at } 25^{\circ}C}} \right) \times 10^6}{\Delta T_A}$$

where:

ΔT<sub>A</sub> is the rated operating temperature range of the device.



αV<sub>ref</sub> 是正或负, 取决于在较低温度下 V<sub>ref</sub> 是最小 V<sub>ref</sub> 或最大 V<sub>ref</sub>。

动态阻抗的定义为:  $|z_{KA}| = \frac{\Delta V_{KA}}{\Delta I_{KA}}$

当设备使用两个外部电阻运行时 (见图 21), 电路的总动态阻抗为  $|z'| = \frac{\Delta V}{\Delta I}$

它近似地等于:  $|z_{KA}| \left( 1 + \frac{R1}{R2} \right)$ 。

## 电气特性, TL431AC, TL432AC

超过推荐的操作条件, TA=25°C (除非另有说明)

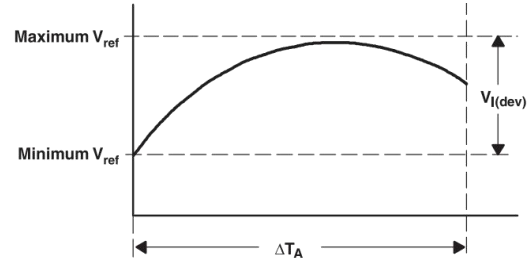
PARAMETER	TEST CIRCUIT	TEST CONDITIONS	TL431AC, TL432AC			UNIT	
			MIN	TYP	MAX		
V <sub>ref</sub>	Reference voltage	See Figure 20	V <sub>KA</sub> = V <sub>ref</sub> , I <sub>KA</sub> = 10 mA			mV	
V <sub>I(dev)</sub>	Deviation of reference input voltage over full temperature range <sup>(1)</sup>	See Figure 20	V <sub>KA</sub> = V <sub>ref</sub> , I <sub>KA</sub> = 10 mA	SOT-23 and TL432 devices	6	16	mV
				All other devices	4	25	
ΔV <sub>ref</sub> / ΔV <sub>KA</sub>	Ratio of change in reference voltage to the change in cathode voltage	See Figure 21	I <sub>KA</sub> = 10 mA	ΔV <sub>KA</sub> = 10 V - V <sub>ref</sub>	-1.4	-2.7	mV/V
				ΔV <sub>KA</sub> = 36 V - 10 V	-1	-2	
I <sub>ref</sub>	Reference input current	See Figure 21	I <sub>KA</sub> = 10 mA, R1 = 10 kΩ, R2 = ∞			μA	
I <sub>I(dev)</sub>	Deviation of reference input current over full temperature range <sup>(1)</sup>	See Figure 21	I <sub>KA</sub> = 10 mA, R1 = 10 kΩ, R2 = ∞			μA	
I <sub>min</sub>	Minimum cathode current for regulation	See Figure 20	V <sub>KA</sub> = V <sub>ref</sub>			mA	
I <sub>off</sub>	Off-state cathode current	See Figure 22	V <sub>KA</sub> = 36 V, V <sub>ref</sub> = 0			μA	
z <sub>KA</sub>	Dynamic impedance <sup>(2)</sup>	See Figure 20	V <sub>KA</sub> = V <sub>ref</sub> , f ≤ 1 kHz, I <sub>KA</sub> = 1 mA to 100 mA			Ω	

偏差参数 V<sub>ref(dev)</sub> 和 I<sub>ref(dev)</sub> 被定义为在额定温度范围内获得的最大值和最小值之间的差异。参考输入电压 V<sub>ref</sub> 的平均全范围温度系数定义为:

$$\alpha_{V_{ref}} \left( \frac{\text{ppm}}{\text{°C}} \right) = \frac{\left( \frac{V_{I(\text{dev})}}{V_{ref \text{ at } 25\text{°C}}} \right) \times 10^6}{\Delta T_A}$$

where:

ΔT<sub>A</sub> is the rated operating temperature range of the device.



V<sub>ref</sub> 是正或负, 取决于在较低温度下 V<sub>ref</sub> 是最小 V<sub>ref</sub> 或最大 V<sub>ref</sub>

动态阻抗的定义为:  $|z_{KA}| = \frac{\Delta V_{KA}}{\Delta I_{KA}}$

当设备使用两个外部电阻工作时 (见图 21), 总动态阻抗电路由以下各项给出:  $|z_{KA}| \left( 1 + \frac{R1}{R2} \right)$

它近似地等于  $|z| = \frac{\Delta V}{\Delta I}$



## 电气特性, TL431AI, TL432AI

超过推荐的操作条件, TA=25°C (除非另有说明)

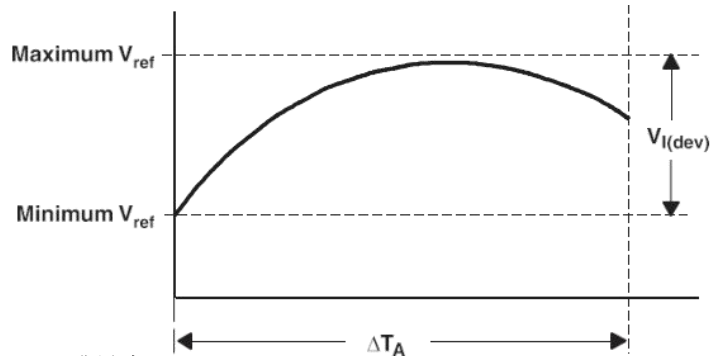
PARAMETER	TEST CIRCUIT	TEST CONDITIONS	TL431AI, TL432AI			UNIT	
			MIN	TYP	MAX		
V <sub>ref</sub>	Reference voltage	See Figure 20	V <sub>KA</sub> = V <sub>ref</sub> , I <sub>KA</sub> = 10 mA			mV	
V <sub>I(dev)</sub>	Deviation of reference input voltage over full temperature range <sup>(1)</sup>	See Figure 20	V <sub>KA</sub> = V <sub>ref</sub> , I <sub>KA</sub> = 10 mA	SOT-23 and L432 devices	14	34	mV
				All other devices	5	50	
ΔV <sub>ref</sub> / ΔV <sub>KA</sub>	Ratio of change in reference voltage to the change in cathode voltage	See Figure 21	I <sub>KA</sub> = 10 mA	ΔV <sub>KA</sub> = 10 V - V <sub>ref</sub>	-1.4	-2.7	mV/V
				ΔV <sub>KA</sub> = 36 V - 10 V	-1	-2	
I <sub>ref</sub>	Reference input current	See Figure 21	I <sub>KA</sub> = 10 mA, R1 = 10 kΩ, R2 = ∞			μA	
I <sub>I(dev)</sub>	Deviation of reference input current over full temperature range <sup>(1)</sup>	See Figure 21	I <sub>KA</sub> = 10 mA, R1 = 10 kΩ, R2 = ∞			μA	
I <sub>min</sub>	Minimum cathode current for regulation	See Figure 20	V <sub>KA</sub> = V <sub>ref</sub>			mA	
I <sub>off</sub>	Off-state cathode current	See Figure 22	V <sub>KA</sub> = 36 V, V <sub>ref</sub> = 0			μA	
z <sub>KA</sub>	Dynamic impedance <sup>(2)</sup>	See Figure 20	V <sub>KA</sub> = V <sub>ref</sub> , f ≤ 1 kHz, I <sub>KA</sub> = 1 mA to 100 mA			Ω	

偏差参数 V<sub>ref(dev)</sub> 和 I<sub>ref(dev)</sub> 被定义为在额定温度范围内获得的最大值和最小值之间的差异。参考输入电压 αV<sub>ref</sub> 的平均全范围温度系数定义为:

$$\left| \alpha_{V_{ref}} \right| \left( \frac{\text{ppm}}{^{\circ}\text{C}} \right) = \frac{\left( \frac{V_{I(\text{dev})}}{V_{ref \text{ at } 25^{\circ}\text{C}}} \right) \times 10^6}{\Delta T_A}$$

where:

ΔT<sub>A</sub> is the rated operating temperature range of the device.



αV<sub>ref</sub> 是正或负, 取决于在较低温度下 V<sub>ref</sub> 是最小 V<sub>ref</sub> 或最大 V<sub>ref</sub>。

动态阻抗的定义为:  $|z_{KA}| = \frac{\Delta V_{KA}}{\Delta I_{KA}}$

当设备使用两个外部电阻运行时 (见图 21), 电路的总动态阻抗为  $|z'| = \frac{\Delta V}{\Delta I}$

它近似地等于:  $|z_{KA}| \left( 1 + \frac{R1}{R2} \right)$  .

## 电气特性, TL431BC, TL432BC

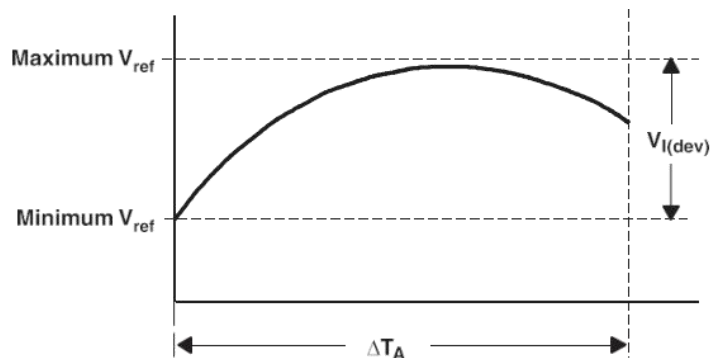
超过推荐的操作条件, TA=25°C (除非另有说明)

PARAMETER		TEST CIRCUIT	TEST CONDITIONS	TL431BC, TL432BC			UNIT
				MIN	TYP	MAX	
V <sub>ref</sub>	Reference voltage	See Figure 20	V <sub>KA</sub> = V <sub>ref</sub> , I <sub>KA</sub> = 10 mA	2483	2495	2507	mV
V <sub>I(dev)</sub>	Deviation of reference input voltage over full temperature range <sup>(1)</sup>	See Figure 20	V <sub>KA</sub> = V <sub>ref</sub> , I <sub>KA</sub> = 10 mA		6	16	mV
ΔV <sub>ref</sub> / ΔV <sub>KA</sub>	Ratio of change in reference voltage to the change in cathode voltage	See Figure 21	I <sub>KA</sub> = 10 mA	ΔV <sub>KA</sub> = 10 V - V <sub>ref</sub>	-1.4	-2.7	mV/V
				ΔV <sub>KA</sub> = 36 V - 10 V	-	-2	
I <sub>ref</sub>	Reference input current	See Figure 21	I <sub>KA</sub> = 10 mA, R1 = 10 kΩ, R2 = ∞		2	4	μA
I <sub>I(dev)</sub>	Deviation of reference input current over full temperature range <sup>(1)</sup>	See Figure 21	I <sub>KA</sub> = 10 mA, R1 = 10 kΩ, R2 = ∞		0.8	1.2	μA
I <sub>min</sub>	Minimum cathode current for regulation	See Figure 20	V <sub>KA</sub> = V <sub>ref</sub>		0.4	0.6	mA
I <sub>off</sub>	Off-state cathode current	See Figure 22	V <sub>KA</sub> = 36 V, V <sub>ref</sub> = 0		0.1	0.5	μA
z <sub>KA</sub>	Dynamic impedance <sup>(2)</sup>	See Figure 20	V <sub>KA</sub> = V <sub>ref</sub> , f ≤ 1 kHz, I <sub>KA</sub> = 1 mA to 100 mA		0.2	0.5	Ω

偏差参数 V<sub>ref(dev)</sub> 和 I<sub>ref(dev)</sub> 被定义为在额定温度范围内获得的最大值和最小值之间的差异。参考输入电压 αV<sub>ref</sub> 的平均全范围温度系数定义为:

$$\left| \alpha_{V_{ref}} \right| \left( \frac{\text{ppm}}{\text{°C}} \right) = \frac{\left( \frac{V_{I(\text{dev})}}{V_{ref \text{ at } 25^{\circ}\text{C}}} \right) \times 10^6}{\Delta T_A}$$

where:  
ΔT<sub>A</sub> is the rated operating temperature range of the device.



αV<sub>ref</sub> 是正或负, 取决于在较低温度下 V<sub>ref</sub> 是最小 V<sub>ref</sub> 或最大 V<sub>ref</sub>。

动态阻抗的定义为:  $|z_{KA}| = \frac{\Delta V_{KA}}{\Delta I_{KA}}$

当设备使用两个外部电阻运行时 (见图 21), 电路的总动态阻抗为  $|z'| = \frac{\Delta V}{\Delta I}$

它近似地等于:  $|z_{KA}| \left( 1 + \frac{R1}{R2} \right)$  .

## 电气特性, TL431BI, TL432BI

超过推荐的操作条件, TA=25°C (除非另有说明)

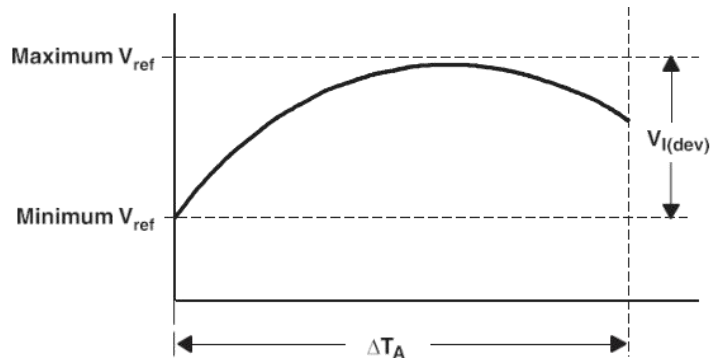
PARAMETER	TEST CIRCUIT	TEST CONDITIONS	TL431BI, TL432BI			UNIT	
			MIN	TYP	MAX		
V <sub>ref</sub>	Reference voltage	See Figure 20	V <sub>KA</sub> = V <sub>ref</sub> , I <sub>KA</sub> = 10 mA			mV	
V <sub>I(dev)</sub>	Deviation of reference input voltage over full temperature range <sup>(1)</sup>	See Figure 20	V <sub>KA</sub> = V <sub>ref</sub> , I <sub>KA</sub> = 10 mA			mV	
ΔV <sub>ref</sub> / ΔV <sub>KA</sub>	Ratio of change in reference voltage to the change in cathode voltage	See Figure 21	I <sub>KA</sub> = 10 mA	ΔV <sub>KA</sub> = 10 V - V <sub>ref</sub>	-1.4	-2.7	mV/V
				ΔV <sub>KA</sub> = 36 V - 10 V	-1	-2	
I <sub>ref</sub>	Reference input current	See Figure 21	I <sub>KA</sub> = 10 mA, R <sub>1</sub> = 10 kΩ, R <sub>2</sub> = ∞			μA	
I <sub>I(dev)</sub>	Deviation of reference input current over full temperature range <sup>(1)</sup>	See Figure 21	I <sub>KA</sub> = 10 mA, R <sub>1</sub> = 10 kΩ, R <sub>2</sub> = ∞			μA	
I <sub>min</sub>	Minimum cathode current for regulation	See Figure 20	V <sub>KA</sub> = V <sub>ref</sub>			mA	
I <sub>off</sub>	Off-state cathode current	See Figure 22	V <sub>KA</sub> = 36 V, V <sub>ref</sub> = 0			μA	
z <sub>KA</sub>	Dynamic impedance <sup>(2)</sup>	See Figure 20	V <sub>KA</sub> = V <sub>ref</sub> , f ≤ 1 kHz, I <sub>KA</sub> = 1 mA to 100 mA			Ω	

偏差参数 V<sub>ref(dev)</sub> 和 I<sub>ref(dev)</sub> 被定义为在额定温度范围内获得的最大值和最小值之间的差异。参考输入电压 αV<sub>ref</sub> 的平均全范围温度系数定义为:

$$\left| \alpha_{V_{ref}} \right| \left( \frac{\text{ppm}}{^{\circ}\text{C}} \right) = \frac{\left( \frac{V_{I(\text{dev})}}{V_{ref \text{ at } 25^{\circ}\text{C}}} \right) \times 10^6}{\Delta T_A}$$

where:

ΔT<sub>A</sub> is the rated operating temperature range of the device.



αV<sub>ref</sub> 是正或负, 取决于在较低温度下 V<sub>ref</sub> 是最小 V<sub>ref</sub> 或最大 V<sub>ref</sub>。

动态阻抗的定义为:  $|z_{KA}| = \frac{\Delta V_{KA}}{\Delta I_{KA}}$

当设备使用两个外部电阻运行时 (见图 21), 电路的总动态阻抗为  $|z'| = \frac{\Delta V}{\Delta I}$

它近似地等于:  $|z_{KA}| \left( 1 + \frac{R_1}{R_2} \right)$ 。

典型特征

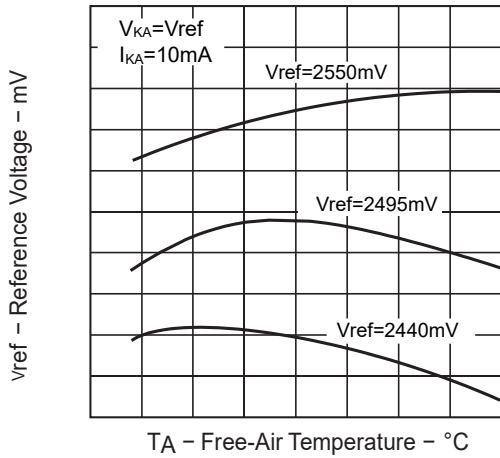


Figure 1. Reference Voltage vs Free-Air Temperature

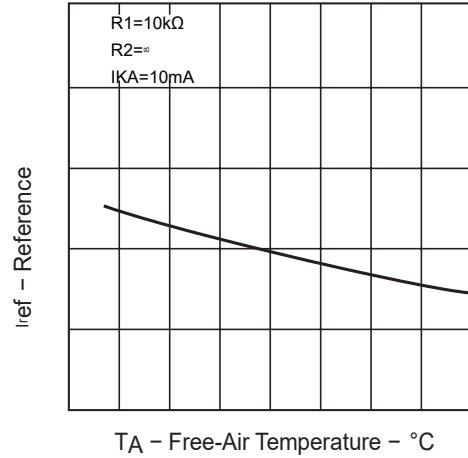


Figure 2. Reference Current vs Free-Air Temperature

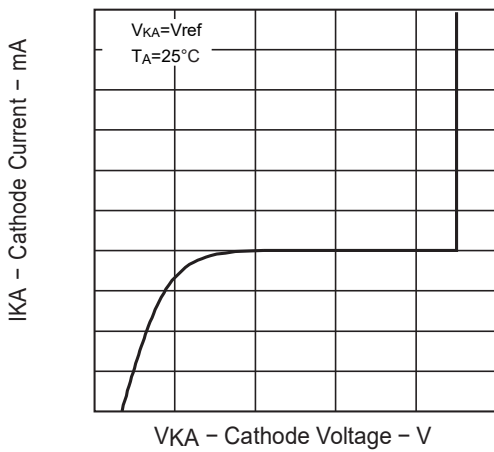


Figure 3. Cathode Current vs Cathode Voltage

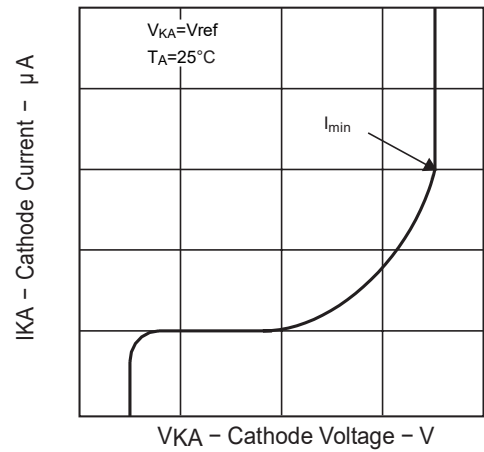


Figure 4. Cathode Current vs Cathode Voltage

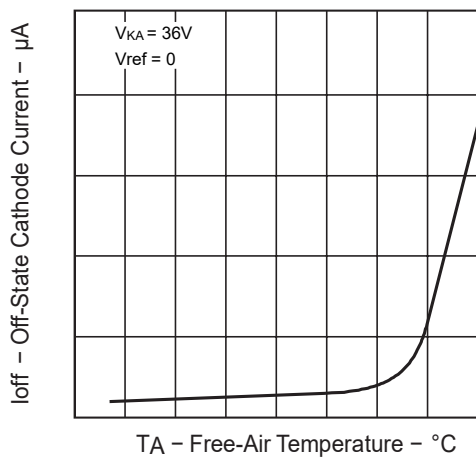


Figure 5. Off-State Cathode Current vs Free-Air Temperature

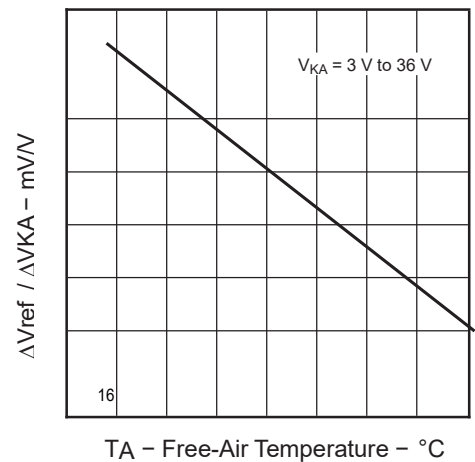


Figure 6. Ratio of Delta Reference Voltage to Delta Cathode Voltage vs Free-Air Temperature

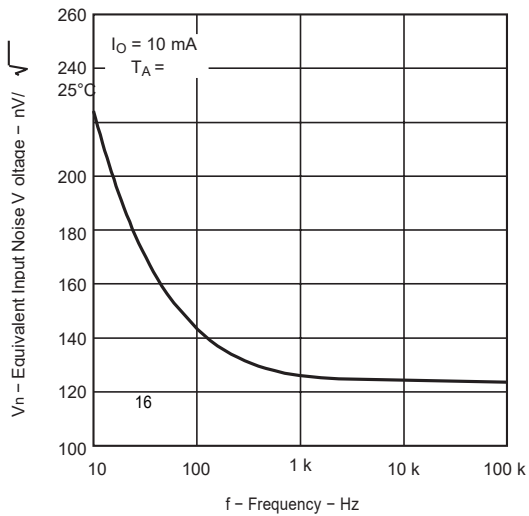


Figure 7. Equivalent Input Noise Voltage vs Frequency

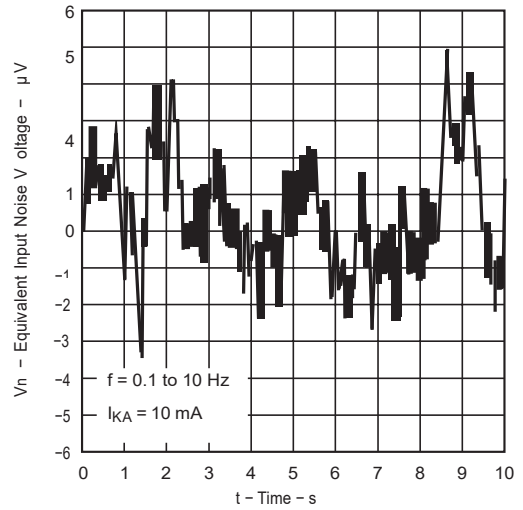


Figure 8. Equivalent Input Noise Voltage Over a 10-S Period

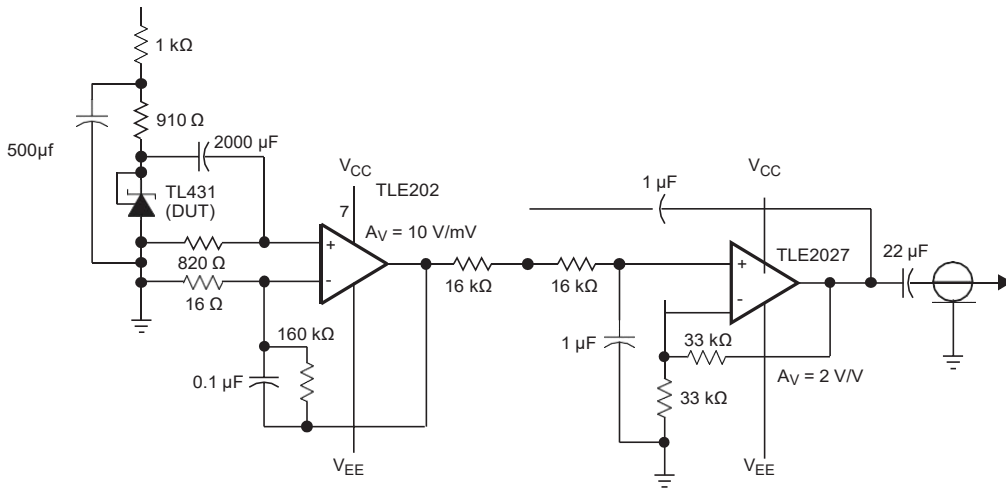


Figure 9. Test Circuit for Equivalent Input Noise Voltage Over a 10-S Period

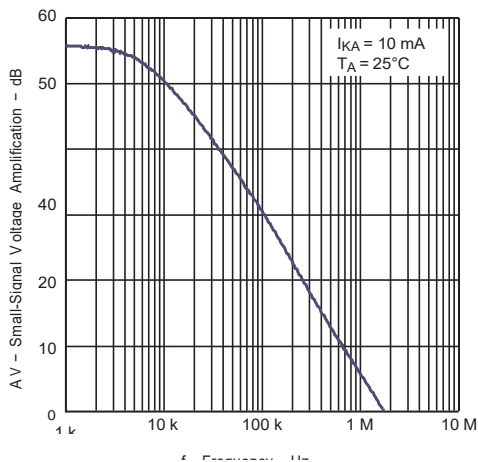


Figure 10. Small-Signal Voltage Amplification

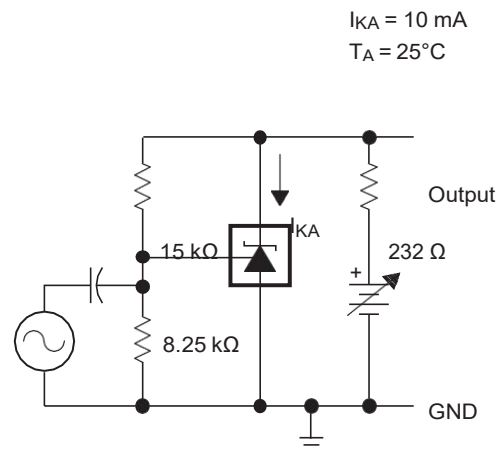


Figure 11. Test Circuit for Voltage Amplification

参数测量信息

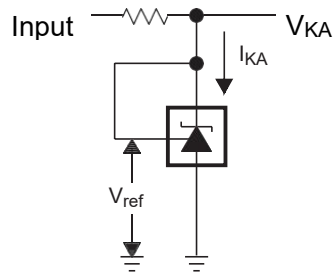


图 20  $V_{KA}=V_{re}$  的测试电路

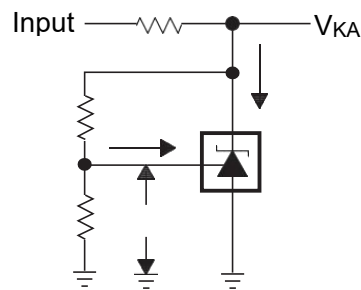


图 21  $V_{KA}>V_{ref}$  的测试电路

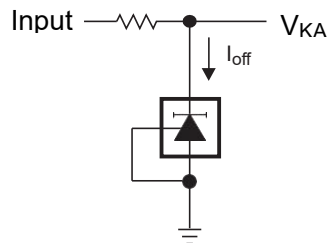


图 22 关断器的测试电路

## 详细说明

这种标准设备已经被证明在广泛的应用中具有普遍性和多功能性，从电源到信号路径。这是由于它的关键组件包含一个精确的电压参考和运算放大器，这是非常基本的模拟构建块。TL43xx 与它的关键部件一起使用，可作为单个电压参考、误差放大器、电压钳或具有综合参考的比较器。TL43xx 可以操作和调整到从 2.5V 到 36V 的、电信和计算领域的各种终端设备。为了使该装置成为分流调节器或误差放大器，必须将  $>1\text{mA}(\text{max})$  至阴极引脚。在这种情况下，可以从阴极和参考引脚应用反馈，以创建一个内部参考电压的副本。可以购买各种参考电压选项，初始公差(25°C)分别为 0.5%、1%和 2%。这些参考选项在 TL431 或 TL432 后分别用 B (0.5%)、A (1.0%) 和空白 (2.0%) 表示。TL431 和 TL432 都是功能上的，但有单独的输出选项。对 TL43xxC 器件进行了表征

## 原理框图

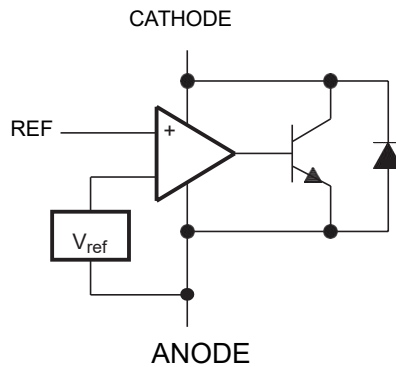


Figure 23. Equivalent Schematic

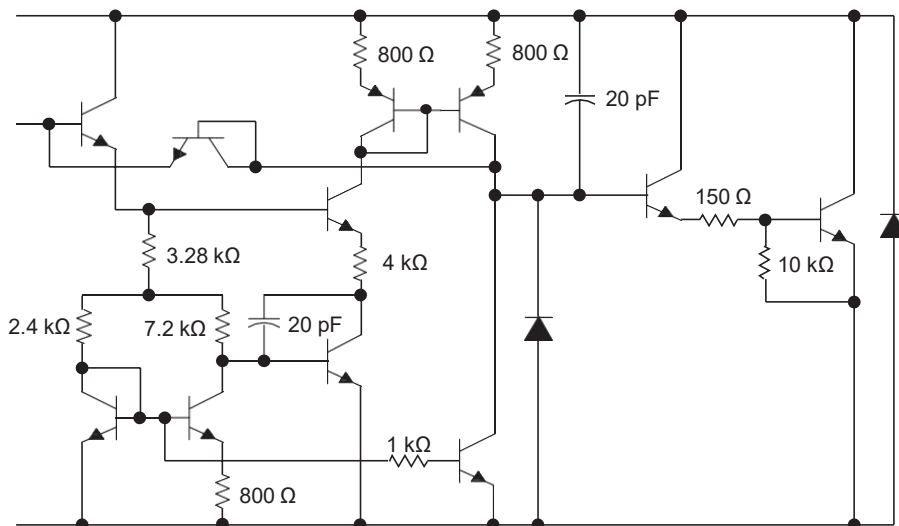


Figure 24. Detailed Schematic

## 功能说明

TL43xx 由一个内部参考线和放大器组成，它基于参考引脚和虚拟内部引脚之间的差值输出一个接收电流。汇流电流由内部的达灵顿对产生，如上示意图所示（图 24）。达灵顿对用于使该设备能够吸收最大 100 mA 的电流。当在足够的电压净空 ( $\geq 2.5V$ ) 和阴极电流(IKA)下操作时，TL431 强制参考引脚至 2.5V。但是，参考引脚不能保持浮动，因为它需要  $I_{REF} \geq 4\mu A$ （请参见电气特性，TL431C，TL432C）。这是因为参考引脚被驱动到一个 npn 中，这需要基底电流才能正常运行。当从阴极和参考引脚施加反馈时，TL43xx 表现为齐纳二极管，根据供应到阴极的电流调节到恒定电压。这是由于内部放大器和参考进入适当的工作区域。在上述反馈情况下，必须在开环、伺服或误差放大实现中应用相同数量的电流，以使其处于适当的线性区域

## 设备功能模式

当 TL43xx 的阴极/输出电压或电流没有以任何形式反馈到参考/输入引脚时，该装置将以开环方式运行。在采用适当的阴极电流(Ika)时，TL43xx 将具有图 23 所示的特性。在此配置中具有如此高的增益时，TL43xx 通常被用作比较器。通过参考集成，使 TL43xx 成为用户试图监控单个信号的特定级别时的首选选择。

## 闭环

当 TL43xx 的阴极/输出电压或电流以任何形式反馈到参考/输入引脚时，该装置在闭环中工作。大多数涉及 TL43xx 的应用程序都以这种方式使用它来调节一个固定的电压或电流。该反馈使该装置能够表现为一个误差放大器，计算输出电压的一部分，并调整它，以保持所需的调节。这是通过将输出电压与参考引脚相关联，使其等于内部参考电压来完成的，这可以通过电阻



## 典型应用

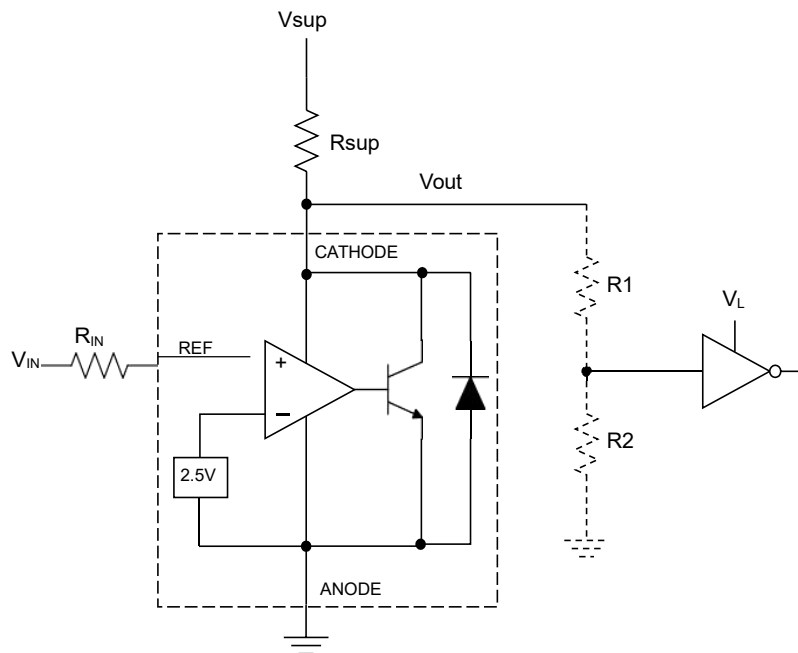


Figure 25. Comparator Application Schematic

## 典型应用程序

设计要求：对于本设计示例，请使用表 1 中列出的参数作为输入参数。

DESIGN PARAMETER	EXAMPLE VALUE
Input Voltage Range	0 V to 5 V
Input Resistance	10 kΩ
Supply Voltage	24 V
Cathode Current (I <sub>K</sub> )	5 mA
Output Voltage Level	~2 V - V <sub>SUP</sub>
Logic Input Thresholds V <sub>IH</sub> /V <sub>IL</sub>	V <sub>L</sub>

## 详细设计程序

当使用 TL431 作为比较器时，确定以下内容：

- 输入电压范围
- 参考电压精度
- 输出逻辑输入高、低级别阈值
- 电流源电阻

## 基本操作

在图 25 所示的配置中，TL431 将作为一个比较器，将 V<sub>REF</sub> 引脚电压与内部虚拟参考电压进行比较。当提供适当的阴极电流(I<sub>K</sub>)时，TL43xx 将有足够的开环增益来提供快速响应。这可以在图 26 中看到，其中 R<sub>SUP</sub>=10 kΩ(I<sub>K</sub>A=500μA)情况的响应速度比 R<sub>SUP</sub>=1 kΩ(I<sub>K</sub>A=5mA)

要慢得多。由于 TL43xx 的最大工作电流( $I_{MIN}$ )为 1 mA，低于 1 mA 的操作可能会导致低增益，从而导致较慢的响应。

## 基本运算

当参考引脚没有提供足够的超速电压时，也会出现慢或不准确的响应。这是高于内部虚拟参考的电压量。内部虚拟参考电压将在  $2.5V \pm (0.5\%、1.0\% \text{ 或 } 1.5\%)$  的范围内，具体取决于所使用的版本。提供的过驱动电压越多，TL431 的响应速度就越快。对于其中 TL431 被用作比较器的应用程序，最好将跳闸点设置为大于正的预期误差(即 a 版本的+1.0%)。对于快速响应，将跳闸点设置为  $>$ ，内部  $V_{REF}$  的 10%就足够了。对于最小的电压降或从  $V_{in}$  到参考引脚的差异，建议使用输入电阻器。

## 输出电压和逻辑输入电平

为了使 TL431 被正确地用作比较器，逻辑输出必须能够被接收逻辑设备读取。这是通过了解输入的高水平和低电平阈值电压水平来完成的，通常用  $V_{IH}$  和  $V_{IL}$  表示。

如图 26 所示，TL431 在开环比较器模式下的输出低电平电压为  $\sim 2V$ ，通常对于 5V 提供的逻辑就足够。然而，将不适用于 3.3V 和 1.8V 提供的逻辑。

为了适应这一点，电阻分频器可以绑定到输出，以使输出电压衰减到接收低压逻辑器件可见的电压。由于 TL431 是开式集电器，所以 TL431 的输出高电压等于  $V_{SUP}$ 。

如果  $V_{SUP}$  远高于接收逻辑的最大输入电压容差，则必须衰减输出，以适应输出逻辑的可靠性。当在输出上使用电阻分频器时，请确保使电阻分频器(图 25 中的  $R_1$  和  $R_2$ )的总和远远大于  $R_{SUP}$ ，以免干扰 TL431 在关闭时拉力接近  $V_{SUP}$  的能力。

## 输入电阻

TL431 在此应用程序中需要一个输入电阻，以便在接通时获得来自该设备所需的参考电流 ( $I_{REF}$ )。参考引脚处的实际电压将为  $V_{REF} = V_{IN} - I_{REF} * R_{IN}$ 。由于  $I_{REF}$  可以高达  $4\mu A$ ，因此建议使用足够小的电阻，以减轻  $I_{REF}$  从  $V_{IN}$  中产生的错误。

## 应用程序曲线

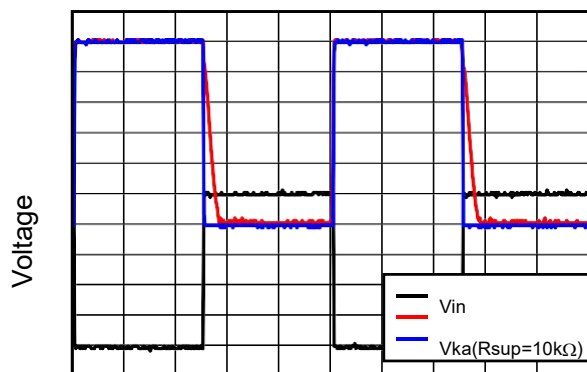


Figure 26. Output Response With Various Cathode Currents

## 分流调节器

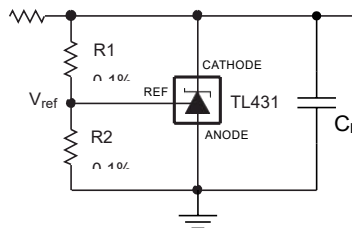


Figure 27. Shunt Regulator Schematic

## 设计要求

DESIGN PARAMETER	EXAMPLE VALUE
Reference Initial Accuracy	1.0 %
Supply Voltage	24 V
Cathode Current (Ik)	5 mA
Output Voltage Level	2.5 V - 36 V
Load Capacitance	100 nF
Feedback Resistor Values and Accuracy (R1 & R2)	10 kΩ

## 详细设计程序

当使用 TL431 作为分流调节器时，请确定以下内容：

- 输入电压范围
- 温度范围
- 总精度
- 阴极电流
- 参考初始精度
- 输出电容

## 编程输出/阴极电压

为了将阴极电压编程到调节电压，必须在阴极和阳极引脚之间分流电阻桥，中间点与参考引脚相连。这可以在图 27 中看出，R1 和 R2 是电阻桥。分流调节器配置中的阴极/输出电压可以用图 27 所示的公式来近似。通过考虑到阴极电流，确定阴极电压可以更准确：

$V_o = (1 + R1/R2) * V_{REF} - I_{REF} * R1$  为了使这个方程有效，TL43xx 必须完全偏置，以使它有足够的开环增益来减轻任何增益误差。这可以通过满足在电气特性、TL431C、TL432C 中表示的  $I_{min}$  规范来实现。

## 总精度

当编程超过单位增益( $V_{KA}=V_{REF}$ )的输出时, TL43xx 容易受到其他错误的影响, 这些错误可能会影响到  $V_{REF}$  之外的总体精度。这些错误包括:

- R1 和 R2 精度
- $V_{I(dev)}$ -参考电压随温度的变化
- $\Delta V_{REF}/\Delta V_{KA}$ -参考电压与阴极电压的变化
- $z_{KA|}$ -动态阻抗, 引起阴极电压随阴极电流的变化

最坏的情况下, 阴极电压可以确定考虑所有的变量。应用说明在可调分流调节器(SLVA445)上设置分流电压, 有助于设计者设置分流电压, 以达到该设备的最佳精度。

## 稳定性

虽然 TL43xx 在没有电容负载的情况下是稳定的, 但接收分流调节器输出电压的设备可以呈现在 TL43xx 稳定区域内的电容负载, 如图 16 和图 18 所示。此外, 设计者可以使用电容负载来改善瞬态响应或电源解耦。当在阴极和阳极之间使用额外的电容时, 请参见图 16 和图 18。此外, 理解 TL431、TL432 数据表(SLVA482)中的稳定性边界条件图将提供对这些设备的稳定性特性的更深入的理解, 并帮助用户在选择负载电容器时做出正确的选择。

## 启动时间

如图 28 所示, TL43xx 的快速响应高达~2V, 然后慢慢充电到它的编程值。这是由于补偿电 (如图 24 所示), TL43xx 必须满足它的稳定性标准。尽管有二次延迟, TL43xx 仍然有一个快速的响应, 适用于许多钳位应用程序。

## 应用程序曲线

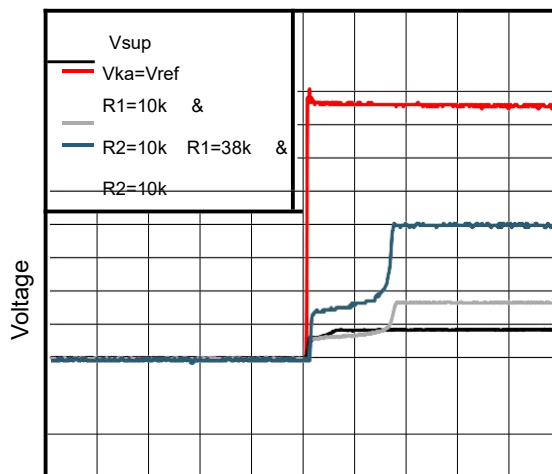
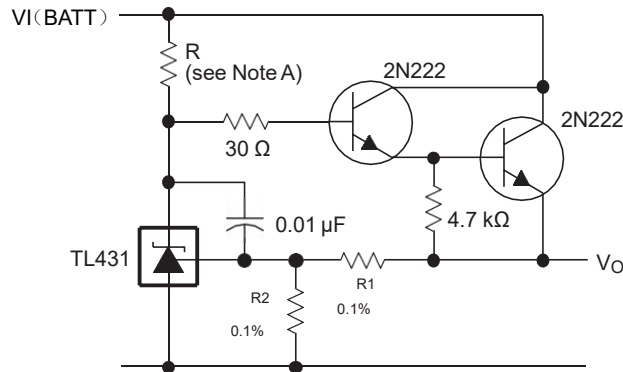


Figure 28. TL43xx Start-Up Response

系统示例



A. R 应为 TL431 提供  $\geq 1\text{mA}$  的阴极电流(BATT)。

Figure 29. Precision High-Current Series Regulator

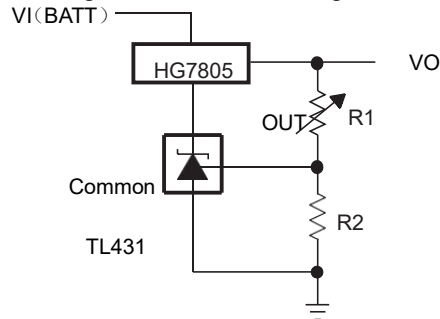
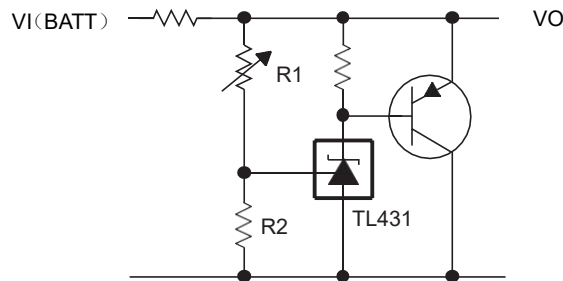


Figure 30. Output Control of a Three-Terminal Fixed Regulator



A. 参考图 16 和图 18 中的稳定边界条件, 确定的允许值 C.

Figure 32. Crowbar Circuit

系统示例

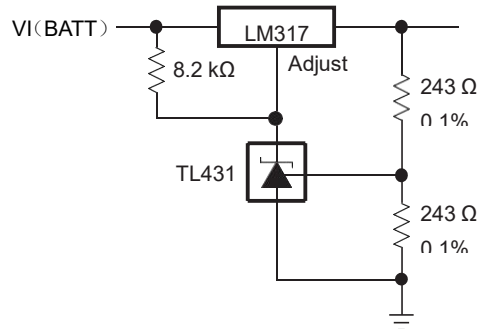
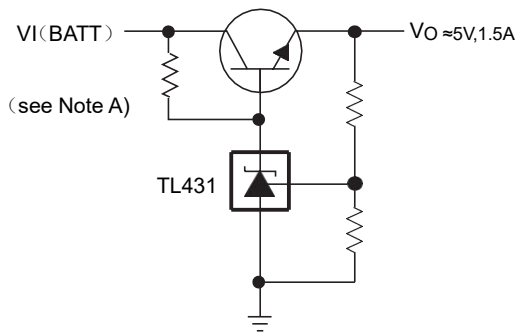


Figure 33. Precision 5-V, 1.5-A Regulator



$R_b$  should provide cathode current  $\geq 1$  mA to the TL431.

Figure 34. Efficient 5-V Precision Regulator

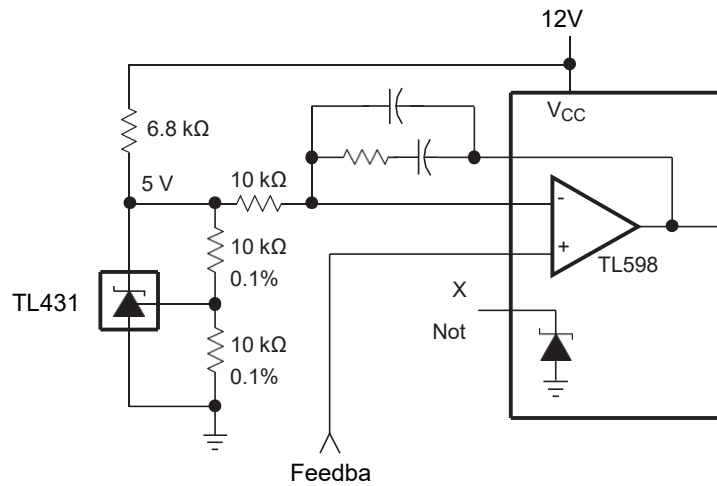


Figure 35. PWM Converter With Reference

## 电源建议

当使用 TL43xx 作为线性调节器来提供负载时,设计者通常会在输出/阴极引脚上使用一个旁路电容器。这样做时,确保电容在图 16 和图 18 所示的稳定性标准内。

为了不超过最大阴极电流,要确保电源电压是电流限制的。此外,一定要限制电流被驱动到参考引脚,因为不要超过它的绝对最大额定值。对于分流大电流的应用,请注意阴极和阳极的轨迹长度,调整轨迹的宽度以获得适当的电流密度。

## 规划图

旁路电容器应尽可能靠近零件放置。载流轨迹需要具有与其载流量适当的宽度;在 TL43xx 的情况下,这些电流将会很低。

## 布局示例

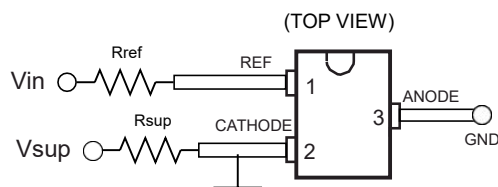
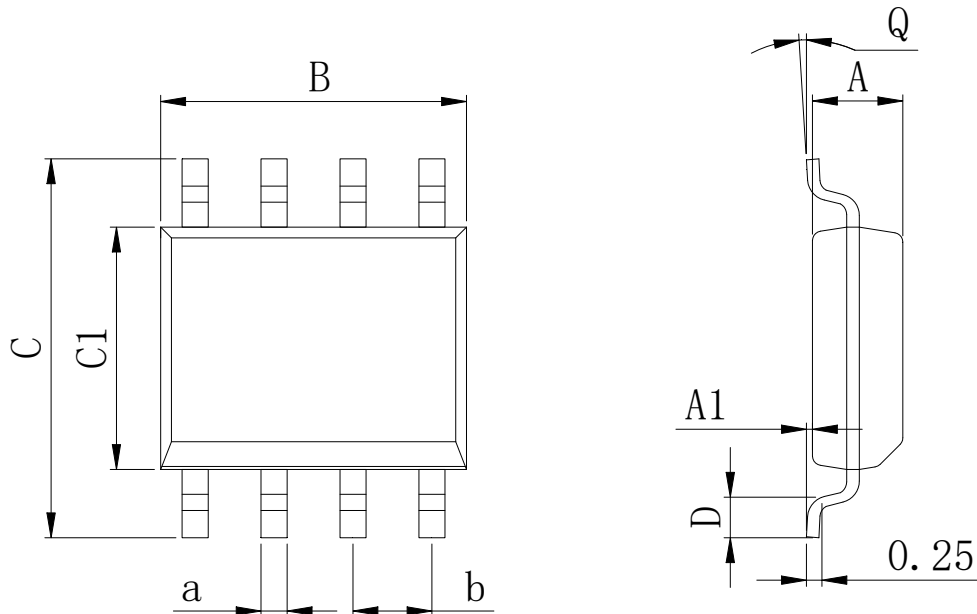


Figure 40. DBZ Layout Example

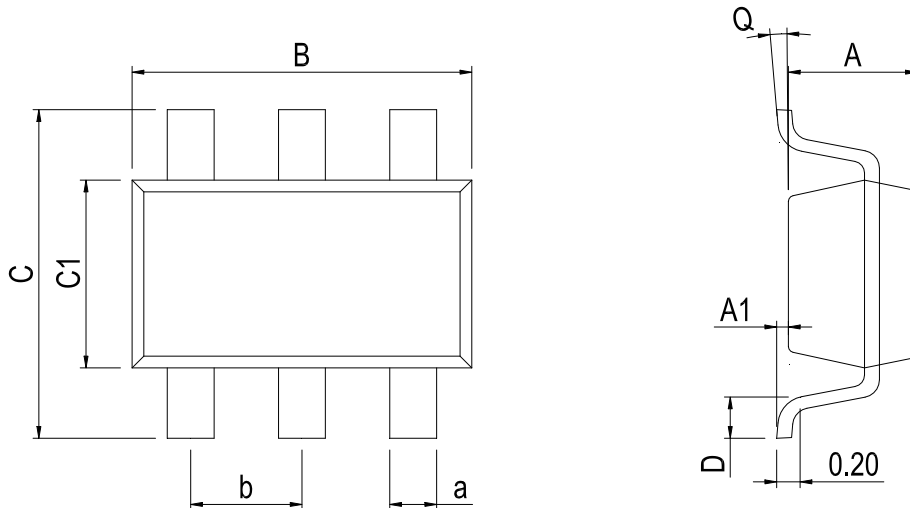
封装外形尺寸

SOP-8



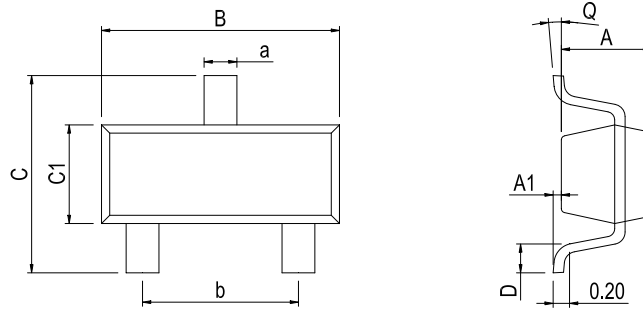
Dimensions In Millimeters(SOP-8)									
Symbol:	A	A1	B	C	C1	D	Q	a	b
Min:	1.35	0.05	4.90	5.80	3.80	0.40	0°	0.35	1.27 BSC
Max:	1.55	0.20	5.10	6.20	4.00	0.80	8°	0.45	

SC70-6

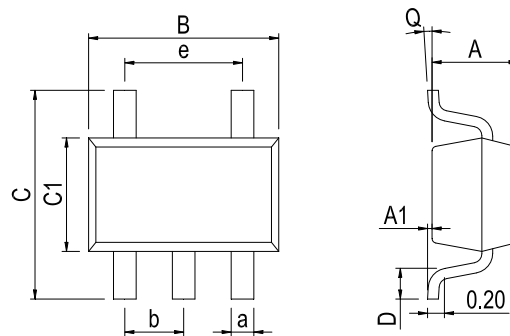


Dimensions In Millimeters(SC70-6)									
Symbol:	A	A1	B	C	C1	D	Q	a	b
Min:	0.90	0.00	2.00	2.15	1.15	0.26	0°	0.15	0.65 BSC
Max:	1.00	0.15	2.20	2.45	1.35	0.46	8°	0.35	

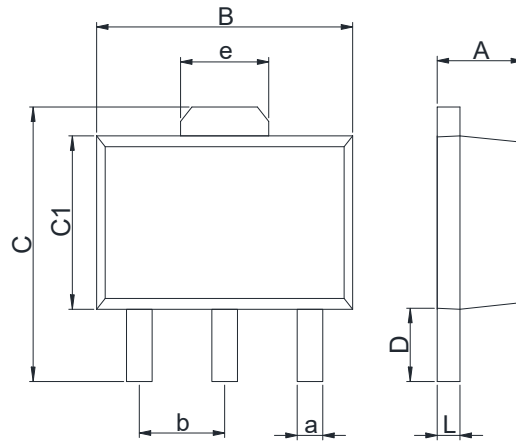


**封装外形尺寸**
**SOT-23**


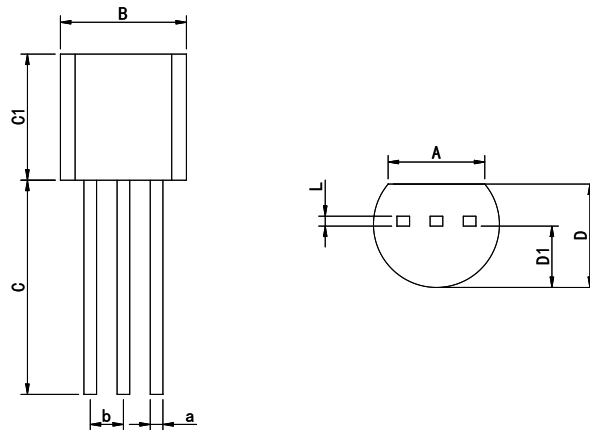
Dimensions In Millimeters(SOT-23)									
Symbol:	A	A1	B	C	C1	D	Q	a	b
Min:	0.90	0.00	2.80	2.25	1.20	0.13	0°	0.30	1.90 BSC
Max:	1.05	0.15	3.00	2.55	1.40	0.41	8°	0.50	

**SOT-23-5**


Dimensions In Millimeters(SOT-23-5)										
Symbol:	A	A1	B	C	C1	D	Q	a	b	e
Min:	1.05	0.00	2.82	2.65	1.50	0.30	0°	0.30	0.95 BSC	1.90 BSC
Max:	1.15	0.15	3.02	2.95	1.70	0.60	8°	0.40		

**封装外形尺寸**
**SOT-89-3**


Dimensions In Millimeters(SOT-89-3)									
Symbol:	A	B	C	C1	D	L	a	b	e
Min:	1.40	4.40	3.94	2.30	0.90	0.35	0.40	1.50	1.55
Max:	1.60	4.60	4.25	2.60	1.20	0.44	0.55	BSC	BSC

**TO-92**


Dimensions In Millimeters(TO-92)									
Symbol:	A	B	C	C1	D	D1	L	a	b
Min:	3.43	4.44	13.5	4.32	3.17	2.03	0.33	0.40	1.27BSC
Max:	3.83	5.21	15.3	5.34	4.19	2.67	0.42	0.52	

## 修订历史

日期	修改内容	页码
2019-10-5	新修订	1-28
2023-10-31	修改封装尺寸图 SOT-89-3、更新封装、更新引脚焊接温度、增加极限参数注释、更新 SC70-5 外形尺寸	26、1、5、24
2024-1-5	更新 TO-92 封装外形尺寸	26

## 重要声明:

华冠半导体保留未经通知更改所提供的产品和服务。客户在订货前应获取最新的相关信息，并核实这些信息是否最新且完整的。华冠半导体对篡改过的文件不承担任何责任或义务。

客户在使用华冠半导体产品进行系统设计和整机制造时有责任遵守安全标准并采取安全措施。您将自行承担以下全部责任：针对您的应用选择合适的华冠半导体产品；设计、验证并测试您的应用；确保您的应用满足相应标准以及任何其他安全、安保或其他要求。以避免潜在风险可能导致人身伤害或财产损失情况的发生。

华冠半导体产品未获得生命支持、军事、航空航天等领域应用之许可，华冠半导体将不承担产品在这些领域应用造成的后果。因使用方超出该产品适用领域使用所产生的一切问题和责任、损失由使用方自行承担，与华冠半导体无关，使用方不得以本协议条款向华冠半导体主张任何赔偿责任。

华冠半导体所生产半导体产品的性能提供技术和可靠性数据（包括数据表）、设计资源（包括参考设计）、应用或其他设计建议、网络工具、安全信息和其他资源，不保证没有瑕疵且不做任何明示或暗示的担保，测试和其他质量控制技术的使用只限于华冠半导体的质量保证范围内。每个器件并非所有参数均需要检测。

华冠半导体的文档资料，授权您仅可将这些资源用于研发本资料所述的产品的应用。您无权使用任何其他华冠半导体知识产权或任何第三方知识产权。严禁对这些资源进行其他复制或展示，您应全额赔偿因在这些资源的使用中对华冠半导体及其代理造成的任何索赔、损害、成本、损失和债务，华冠半导体对此概不负责。

单击下面可查看定价，库存，交付和生命周期等信息

[>>HGSEMI\(华冠\)](#)