

# NGC SERIES

002409

Issue 13

## MICRO SWITCH Compact Limit Switches



### DESCRIPTION

Honeywell's MICRO SWITCH Compact Limit Switches, NGC Series, are a configurable platform of medium-duty switches that allow the customer to choose SPDT (single pole, double throw) or DPDT (double pole, double throw) circuitry while maintaining the same housing and mounting footprint throughout the NGC Series. MICRO SWITCH NGC Series can be configured more than 380,000 ways, carries global approvals, and are sealed to IP67 for potential use in indoor and outdoor applications.

### VALUE TO CUSTOMERS

- **Cost-effective:** Provides a single source for a compact SPDT and DPDT limit switch, which can help minimize the Original Equipment Manufacturer's sourcing expenses by simplifying their supply chain
- **Versatile:** Durable packaging allows for use in many harsh indoor or outdoor applications, providing performance confidence
- **Configurable:** Allows design engineers to standardize on a single footprint while meeting a variety of electrical requirements
- **Application support:** Customers with a global footprint can count on Honeywell for regional support for new applications and troubleshooting

### FEATURES

- SPDT or DPDT configurable circuitry
- Snap-action, positive-break contacts
- Silver alloy and gold-plated contact options
- UL, CE, cUL, and CCC approvals
- Conforms to IEC 60947-5-1, IEC 61373, EN45545-2 (metal variants with M12 connectors only)
- NEMA 1, 4, 12, 13; IP67 sealing
- Metal and plastic housing options
- Low and high temperature variants
- Cable and connector terminations
- Variety of heads and actuator levers

### POTENTIAL INDUSTRIAL APPLICATIONS

- Boom position detection
- Elevators and escalators
- Machine tools
- Mobile light towers
- Packaging equipment
- Rail doors
- Scissor lifts

### DIFFERENTIATION

- With two times the vibration (10 g) and shock (50 g) ratings of comparable competitive devices, the NGC Series can be implemented in the harshest of environmental conditions, providing enhanced reliability and repeatability
- Broader current capacity (10 A) than comparable devices allows for potential use in a wider set of applications, making platform standardization an easier task

### PORTFOLIO



The NGC Series joins the 14CE, 914CE, SZL-VL-S, and SL1 Series of miniature limit switches. Honeywell also offers a portfolio of MICRO SWITCH Heavy-Duty Limit Switches and General Purpose Limit Switches.

**Honeywell**

# MICRO SWITCH COMPACT LIMIT SWITCHES, NGC SERIES

**Table 1. Specifications**

Characteristic	Parameter
Description	compact, medium-duty limit switches
Actuators	<p><b>Side Rotary Configurations</b></p> <ul style="list-style-type: none"> <li>• Side rotary</li> <li>• Side rotary (short)</li> <li>• Side rotary with adjustable length roller lever</li> <li>• Reversed side rotary (short)</li> <li>• Reversed side rotary with adjustable length roller lever</li> </ul> <p><b>Plunger Configurations</b></p> <ul style="list-style-type: none"> <li>• Pin plunger (standard 4,8 mm [0.19 in] and long 7,4 mm [0.29 in])</li> <li>• Roller plunger (standard 15,3 mm [0.60 in] and long 17,85 mm [0.70 in])</li> <li>• Cross roller plunger (standard 15,3 mm [0.60 in] and long 17,85 mm [0.70 in])</li> <li>• Pin plunger with boot seal</li> <li>• Panel-mount pin plunger</li> <li>• Panel-mount roller plunger</li> <li>• Panel-mount cross roller plunger</li> <li>• Panel-mount pin plunger with boot seal</li> <li>• Top roller lever arm</li> </ul>
Terminations (SPDT)	Normal cable (refer to table 4) PUR cable (refer to table 4) Special application cable (refer to table 4) Railway cable (refer to table 4) Connector, 4-pin male, M12 thread Connector, 5-pin male, M12 thread
Terminations (DPDT)	Normal cable (refer to table 4) PUR cable (refer to table 4) Special application cable (refer to table 4) Railway cable (refer to table 4)
Material approval standard	(only applicable for product with non-halogen cable) DIN5510-2-2009 (flammability rating: S3; smoke rating: > SRI; welt rating: ST2; toxic gas rating: FED(TZUL=15min)< 1)
Switching options	SPDT, DPDT; snap action contacts (1NC/1NO, 2NC/2NO)
Sealing	NEMA 1, 4, 12, 13; IP67 per IEC 60529 suitable for outdoor applications
Contacts	snap action, positive break standard: silver alloy; gold: gold-plated
Operating temperature	-25°C to 75°C [-13°F to 167°F] (for extended operating temperature options, see table 3)
Storage temperature	-40°C to 85°C [-40°F to 185°F]
Mechanical endurance	1NC/1NO: 5,000,000 cycles min. at 120 CPM 2NC/2NO: 5,000,000 cycles min. at 60 CPM – for AgNi contacts only  For wedge actuation: 500,000 cycles min. at 60 CPM for both 1NC/1NO and 2NC/2NO Applicable only for Head type C, L, P, Q, S, and T
Electrical life	see table 3
Contact bounce limit	50 msec max., use proper signal filter accordingly
Thermal current	1NC/1NO: 10 A; 2NC/2NO: 5 A
Rated insulation voltage (Ui)	1NC/1NO: 400 V as per IEC 60947-5-1 2NC/2NO: 250 V as per IEC 60947-5-1
Dielectric strength	1890 Vac for metal housing; 2890 Vac for plastic housing 1500 Vac between all terminals to enclosure after durability test
Impulse voltage	1NC/1NO: 2500 Vdc as per IEC 60947-5-1 2NC/2NO: 1500 Vac as per IEC 60947-5-1
Pollution degree	3 (III)
Humidity	95 %RH max.
Operating speed	0,3 mm/s to 2 m/s
Switching frequency	1NC/1NO: 120 CPM max. 2NC/2NO: 60 CPM max.
Shock	50 g for 11 ms as per IEC 60068-2-27; railway application, per IEC 61373 Class I Car B type
Vibration	10 g as per IEC 60068-2-6, frequency range 10 Hz to 500 Hz; railway application per IEC 61373 Class I Car B type
Approvals	UL (UL508), cUL, CE (IEC 60947-5-1), CCC (GB14048.5-2008)
Conforming to standards	IEC 60947-5-1, IEC 61373, EN45545-2 HL 3 (metal variants with M12 connectors only)

# MICRO SWITCH COMPACT LIMIT SWITCHES, NGC SERIES

**Table 2. Electrical Rating and Utilization Category**

SPDT 1NO/1NC				DPDT 2NO/2NC				SPDT and DPDT gold-plated contacts
ac		dc		ac		dc		
A300 Ue (volts)	AC15 Ie (amps)	Q300 Ue (volts)	DC13 Ie (amps)	C300 Ue (volts)	AC15 Ie (amps)	R300 Ue (volts)	DC13 Ie (amps)	
120	6	125	0.55	240	0.75	250	0.1	30 mVdc 10 mA resistive
240	3	250	0.27					

Per IEC 60947-5-1 and UL 508

**Table 3. Electrical Life Expectancy at Illustrated Load**

Switch Type	Voltage	Current	Life
SPDT (01) silver contact <sup>1</sup>	110 Vdc	1A	500,000
DPDT (24) silver contact <sup>1</sup>	110 Vdc	1 A	500,000
DPDT (24) silver contact <sup>2</sup>	24 Vdc	15 mA	1,500,000
DPDT (32) gold-plated contact <sup>2</sup>	30 mVdc	10 mA	50,000
SPDT (07) gold-plated contact <sup>2</sup>	30 mVdc	10 mA	50,000

<sup>1</sup> 15 cycles/minute max. Applicable to NC circuit only. All loads resistive. Life mentioned are min. life.

<sup>2</sup> 30 cycles/minute max. All loads resistive. Life mentioned are min. life.

**Figure 1. Product Nomenclature and Order Guide**

NGC	M	A	02	A	X	01	A	1A	
Switch Type	Housing	Connection	Cable Length	Connector/Cable Exiting Housing	Connector at End of Cable	Switch Type	Head Type	Levers – Optional (Side Rotary Head Only)	Modifications
NGC Series Medium-Duty Compact Limit Switch	<b>M</b> Metal	<b>A</b> Side exit, right	<b>00</b> No cable. Internal connector <sup>6</sup>	<b>A</b> Standard cable	<b>X</b> None	<b>01</b> 1NC/1NO snap action silver contacts	<b>A</b> Side rotary	None	<b>M01</b> Side rotary lever, 90° right
	<b>P</b> Plastic	<b>B</b> Bottom exit	<b>02</b> 0,25 m [0.82 ft]	<b>B</b> Halogen-free cable		<b>07</b> 1NC/1NO snap action gold contacts	<b>B</b> Pin plunger	<b>1A</b> Standard fixed length, w/nylon roller (18 mm)	<b>M02</b> Side rotary lever, 90° left
	<b>Q</b> Plastic with mounting ring support	<b>C</b> Side exit, left	<b>05</b> 0,5 m [1.64 ft]	<b>D</b> PUR cable		<b>24</b> 2NC/2NO snap action silver contacts	<b>C</b> Roller plunger	<b>1B</b> Standard fixed length, w/stainless steel roller (18 mm)	<b>M07</b> Side rotary short lever, 45° right
			<b>07</b> 0,7 m [2.3 ft]	<b>N</b> M12 4-pin micro change, dc connector <sup>2,3,5</sup>		<b>32</b> 2NC/2NO snap action gold contacts	<b>D</b> Long pin plunger	<b>2A</b> Adjustable length, w/nylon roller (18 mm)	<b>M08</b> Side rotary short lever, 45° left
			<b>10</b> 1,0 m [3.28 ft]	<b>P</b> M12 5-pin micro change, dc connector <sup>1,3,5</sup>			<b>J</b> Top roller lever arm	<b>2B</b> Adjustable length, w/stainless steel roller (18 mm)	<b>H85</b> High temp variant, 85 °C <sup>7</sup>
			<b>15</b> 1,5 m [4.92 ft]	<b>R</b> Railway cable <sup>4</sup>			<b>L</b> Cross roller plunger	<b>2C</b> Adjustable length, w/nylon roller (18 mm), reversed	<b>L40</b> Low temp variant, -40 °C <sup>8</sup>
			<b>20</b> 2,0 m [6.56 ft]				<b>M</b> Pin plunger w/ boot seal	<b>2D</b> Adjustable length, w/stainless steel roller (18 mm), reversed	
			<b>30</b> 3,0 m [9.84 ft]				<b>N</b> Panel-mount pin plunger	<b>6A</b> Short fixed length, w/nylon roller (18 mm)	
			<b>40</b> 4,0 m [13.12 ft]				<b>P</b> Panel-mount roller plunger	<b>6B</b> Short fixed length, w/stainless steel roller (18 mm)	
			<b>50</b> 5,0 m [16.4 ft]				<b>Q</b> Panel-mount cross-roller plunger	<b>6C</b> Short fixed length, w/nylon roller (18 mm), reversed	
						<b>R</b> Panel-mount pin plunger w/ boot seal	<b>6D</b> Short fixed length, w/stainless steel roller (18 mm), reversed		
						<b>S</b> Long roller plunger			
						<b>T</b> Long cross-roller plunger			

NOTE: not all combinations of model code are available. Please contact your Honeywell provider/representative for assistance.

<sup>1</sup> Only applicable for metal housing Type "M"  
<sup>2</sup> Typically applicable for plastic housing Type "P" and "Q", and without grounding metal housing Type "M"  
<sup>3</sup> Only applicable for switch type "01" and "07"  
<sup>4</sup> Cable meets EN 50306, but does not meet with UL requirement  
<sup>5</sup> Only applicable for "00" cable length. Not applicable to switch types "24" and "32"  
<sup>6</sup> "00" cable length is not applicable for connector/cable exit type "A", "B", "D", and "R". Not applicable to switch types "24" and "32"  
<sup>7</sup> DIN 5510-2-2009 does not apply to NGC variant with suffix modification code "H85". Also applicable only for connector/cable types "B", "R", "N", and "P". See table 3  
<sup>8</sup> Modification code "L40" is a -40 °C variant. Only applicable to connector/cable types "B" and "R". Connector types "N" and "P" are rated to -40°C as default. Some legacy listings with "P" and "N" connector types may have the L40 designation and these are rated to -40°C to +75°C. See table 4

# MICRO SWITCH COMPACT LIMIT SWITCHES, NGC SERIES

Table 4. Connector/Cable Type Temperature Options<sup>7,8</sup>

Connector/Cable type	Standard NGC Series (with modification code, none)		High Temp NGC Series (with modification code, H85)		Low Temp NGC Series (with modification code, L40)	
	Tmin	Tmax	Tmin	Tmax	Tmin	Tmax
A	-25°C	75°C	-	-	-	-
B	-25°C	75°C	-25°C	85°C	-40°C	75°C
D	-25°C	75°C	-	-	-	-
R	-25°C	75°C	-25°C	85°C	-40°C	75°C
N	-40°C	75°C	-25°C	85°C	-	-
P	-40°C	75°C	-25°C	85°C	-	-

Figure 2. Connector Dimensions and Pin-Out Identification

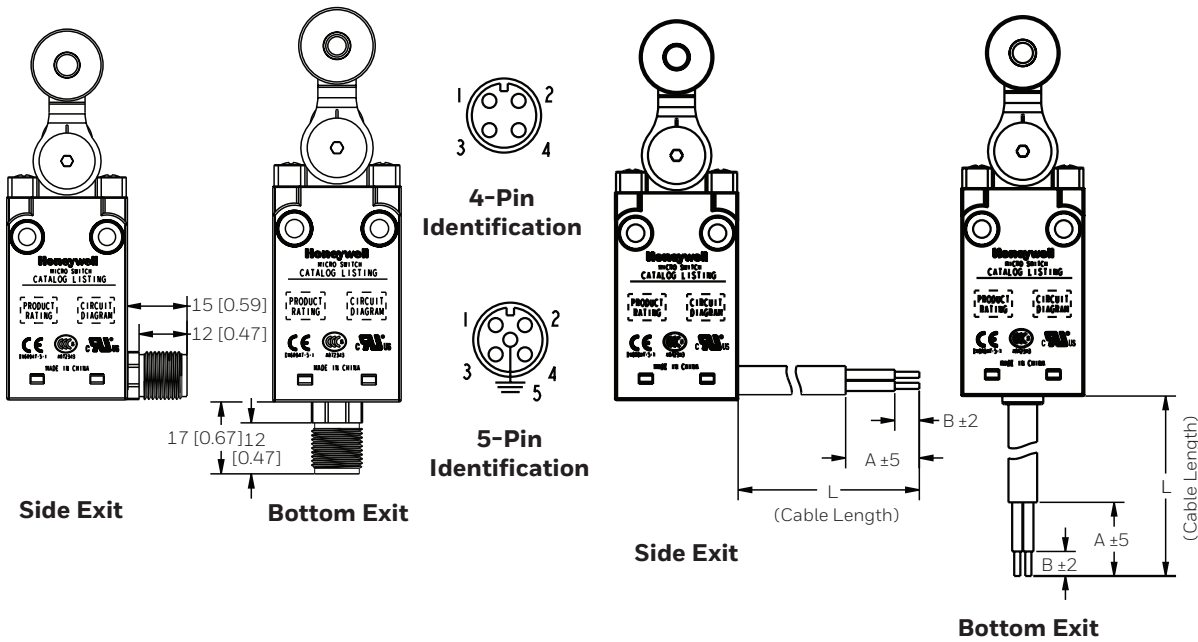


Table 5. Cable Descriptions

Listing	Cable Description						
	Length (L) min.	Jacket strip length (A)	Insulation strip length (B)	NGCP*01* NGCP*07* (01 or 07 switch type)	NGCM*01* NGCM*07* (01 or 07 switch type)	NGCP*24* NGCP*32* (24 or 32 switch type)	NGCM*24* NGCM*32* (24 or 32 switch type)
NGC*00*	no cable (internal connector)						
NGC*02*	0,25 m [9.8 in]	23 mm [0.91 in]	5 mm [0.20 in]	18 AWG or 4 x 0,75 mm <sup>2</sup>	18 AWG or 5 x 0,75 mm <sup>2</sup>	20 AWG or 8 x 0,5 mm <sup>2</sup>	20 AWG or 9 x 0,5 mm <sup>2</sup>
NGC*05*	0,5 m [19,7]	32 mm [1.26]	17 mm [0.67 in]				
NGC*07*	0,7 m [27.6 in]	32 mm [1.26]	17 mm [0.67 in]				
NGC*10*	1 m [39.37 in]	23 mm [0.91 in]	5 mm [0.20 in]				
NGC*15*	1,5 m [59 in]	23 mm [0.91 in]	5 mm [0.20 in]				
NGC*20*	2 m [78.74 in]	23 mm [0.91 in]	5 mm [0.20 in]				
NGC*30*	3 m [9.84 ft]	23 mm [0.91 in]	5 mm [0.20 in]				
NGC*40*	4 m [13.12 ft]	23 mm [0.91 in]	5 mm [0.20 in]				
NGC*50*	5 m [16.4 ft]	23 mm [0.91 in]	5 mm [0.20 in]				

# MICRO SWITCH COMPACT LIMIT SWITCHES, NGC SERIES

Figure 3. Side Rotary A1A/A1B Dimensions



Figure 4. Side Rotary A6A/A6B Dimensions

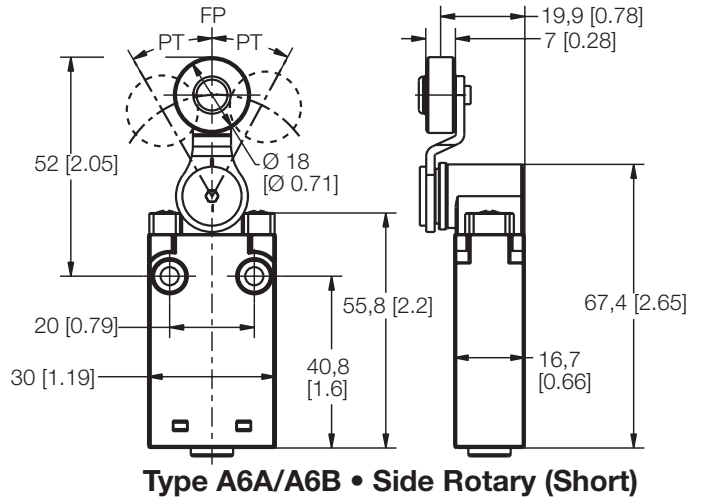


Figure 5. Side Rotary A2A/A2B Dimensions

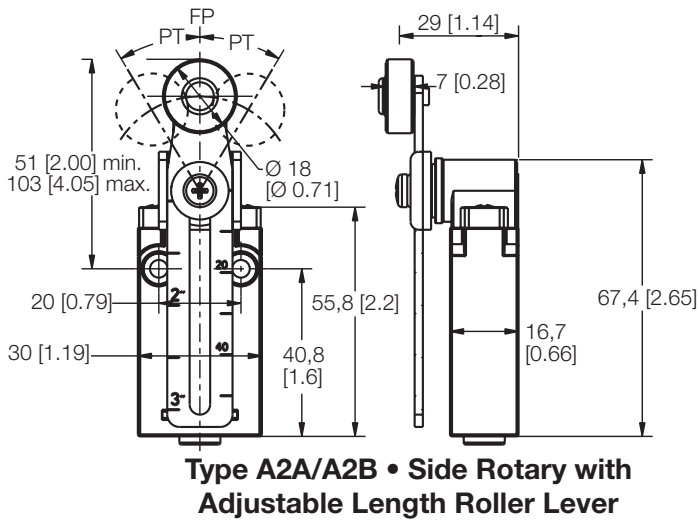


Figure 6. Side Rotary A6C/A6D Dimensions

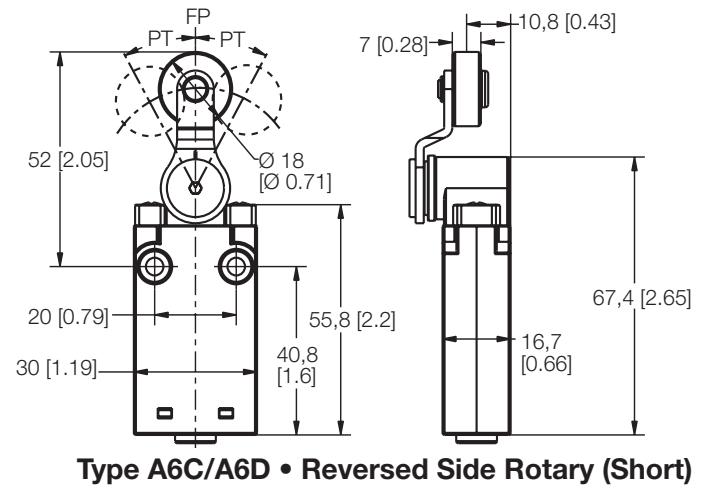


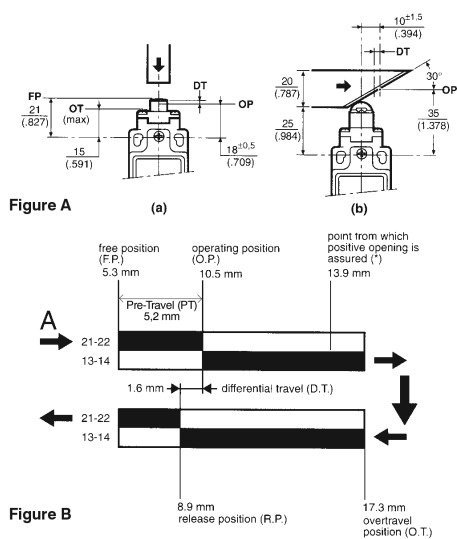
Figure 7. Side Rotary A2C/A2D Dimensions



# MICRO SWITCH COMPACT LIMIT SWITCHES, NGC SERIES

Table 5. Side Rotary Operating Characteristics

Actuation	Catalog Listing	Connector/Cable Exit	Switch Type	Circuit Diagram	Bar Charts	Differential Travel max.	Operating Force/Torque max.	Release Force/Torque max.				
Side Rotary	NGCP****X01A**	A	01			15°	18 Ncm [1.59 in-lb]	2,5 Ncm [0.22 in-lb]				
	NGCP****X01A**	B										
	NGCP****X01A**	D										
	NGCP****X07A**	A	07									
	NGCP****X07A**	B										
	NGCP****X07A**	D										
	NGCP****X01A**	N	01									
	NGCP****X07A**	N							07			
	NGCM****X01A**	A	01									
	NGCM****X01A**	B										
	NGCM****X01A**	D										
	NGCM****X07A**	A	07									
	NGCM****X07A**	B										
	NGCM****X07A**	D										
	NGCM****X01A**	P	01						16.5°	17 Ncm [1.5 in-lb]	2,1 Ncm [0.19 in-lb]	
	NGCM****X07A**	P	07									
	NGCP****X24A**	A	24									
	NGCP****X24A**	B										
NGCP****X24A**	D											
NGCP****X32A**	A	32										
NGCP****X32A**	B											
NGCP****X32A**	D											
NGCM****X24A**	A	24										
NGCM****X24A**	B											
NGCM****X24A**	D	32										
NGCM****X32A**	A											
NGCM****X32A**	B											
NGCM****X32A**	D	32										



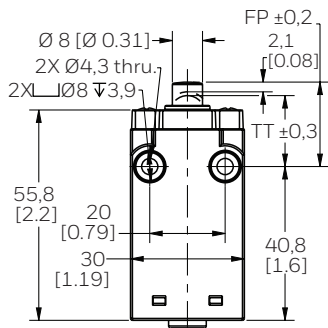
## How to read and understand the bar chart information

The following example relates to a unit which has a snap action basic and which has a roller pin plunger actuator. Follow the black arrows and the black strip on the chart. The black strip indicates that there is a circuit between the terminals whose numbers are shown on the left and when white there is no circuit.

Look at Figures A and B as examples. Actuator type used for test is the linear Cam travel type (b) shown left. The start point is at the arrow marked "A" (See fig. B). This shows the free position to be 5.3 mm from the vertical center line of the unit. At this stage there is a circuit between the terminals 21-22 but no circuit between terminals 13-14. The unit can be actuated until it reaches the operating position which is 10,5 mm from the center line – a travel distance of 10,5 – 5,3 = 5,2 mm from the free position. At this point the circuit arrangement changes – no circuit between 21-22 but making a circuit between 13-14. If, however, the contacts of terminals 21-22 weld together and will not separate, a mechanical safety feature will take effect if the switch is travelled past the point from which positive opening is assured, 13,9 mm. As the switch returns it reaches the release position at 8,9 mm from the center line. The circuit will change back to the original state and the difference between the operating position and the release position gives what is known as the differential travel i.e. 10,5 – 8,9 = 1,6 mm. The asterisk (\*) indicates the point from which the positive opening is assured.

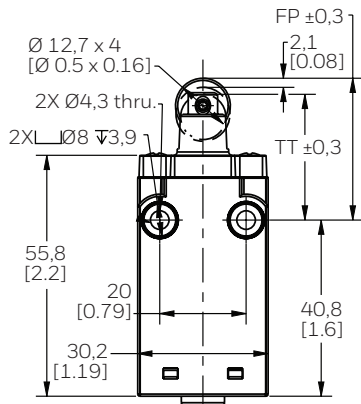
# MICRO SWITCH COMPACT LIMIT SWITCHES, NGC SERIES

**Figure 8. Pin Plunger B & D Dimensions**



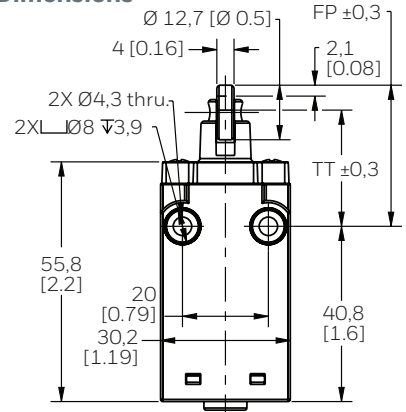
NGC\_B | FP 19,8 mm; TT 15,9 mm  
 NGC\_D | FP 22,4 mm; TT 18,5 mm  
 Pin Plunger

**Figure 9. Roller Plunger C & S Dimensions**



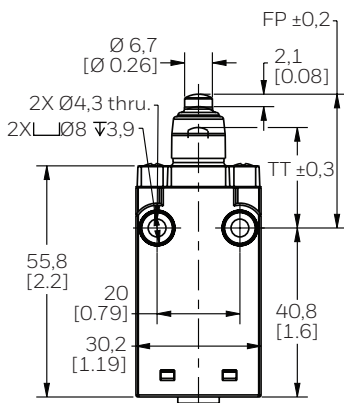
NGC\_C | FP 30,3 mm; TT 26,4 mm  
 NGC\_S | FP 32,85 mm; TT 28,95 mm  
 Roller Plunger

**Figure 10. Cross Roller Plunger L & T Dimensions**



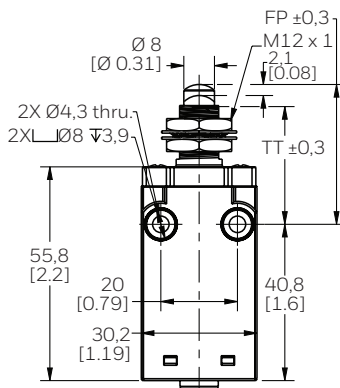
NGC\_L | FP 30,3 mm; TT 26,4 mm  
 NGC\_T | FP 32,85 mm; TT 28,95 mm  
 Cross Roller Plunger

**Figure 11. Pin Plunger with Boot Seal M Dimensions**



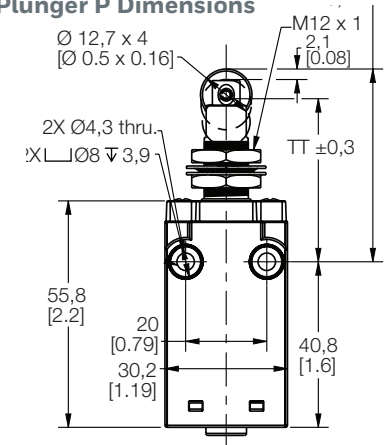
NGC\_M | FP 32,3 mm; TT 28,4 mm  
 Pin Plunger with Boot Seal

**Figure 12. Panel-Mount Pin Plunger N Dimensions**



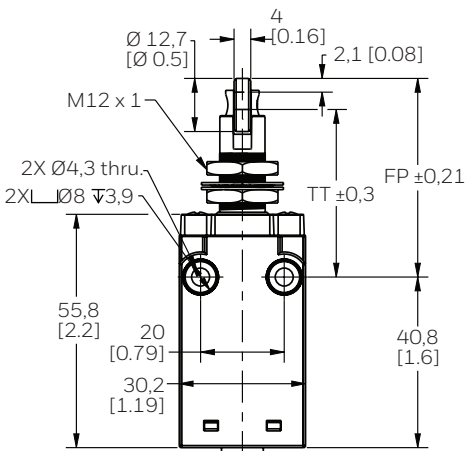
NGC\_N | FP 36,5 mm; TT 32,6 mm  
 Panel Mount Pin Plunger

**Figure 13. Panel-Mount Roller Plunger P Dimensions**



NGC\_P | FP 47,5 mm; TT 43,6 mm  
 Panel-Mount Roller Plunger

**Figure 14. Panel-Mount Cross Roller Plunger Q Dimensions**



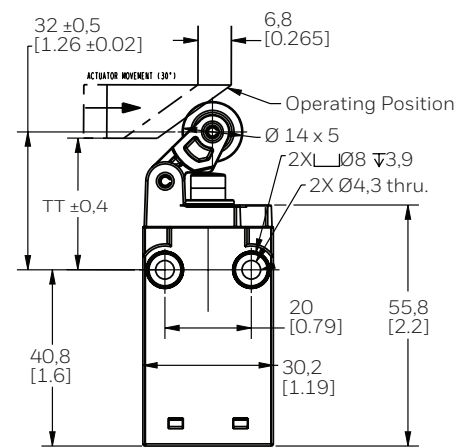
NGC\_Q | FP 47,5 mm; TT 43,6 mm  
 Panel-Mount Cross Roller Plunger

**Figure 15. Panel-Mount Pin Plunger With Boot Seal R Dimensions**



NGC\_R | FP 47,5 mm; TT 43,6 mm  
 Panel-Mount Pin Plunger with Boot Seal

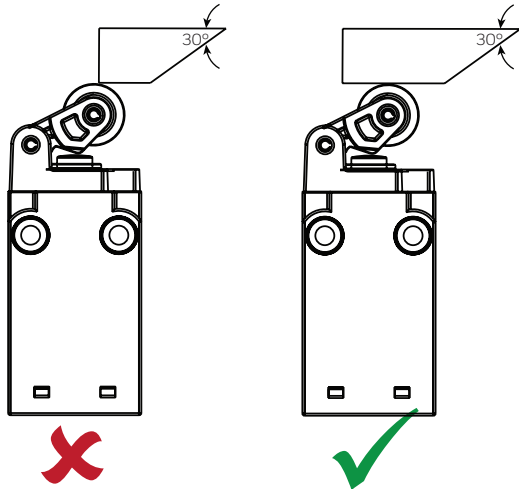
**Figure 16. Top Roller Lever Arm J Dimensions**



NGC\_J | TT 33,3 mm  
 Top Roller Lever Arm

# MICRO SWITCH COMPACT LIMIT SWITCHES, NGC SERIES

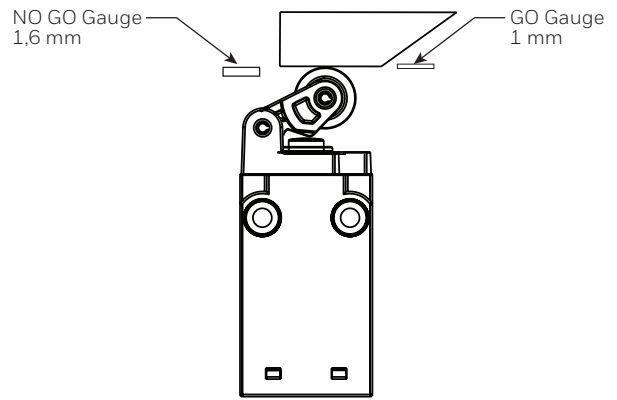
Figure 17. Wedge Actuation



Wedge passed the roller at Total Travel Position.

Wedge engaged with roller at Total Travel Position.

Figure 18. Final Installation Check at TTP



**NOTE:** Strictly adhere to installation instruction mentioned in Figures 1 to 18. Failure to comply with these could result in a functional issue.



# MICRO SWITCH COMPACT LIMIT SWITCHES, NGC SERIES

Table 6. Plunger Operating Characteristics

Actuation	Catalog Listing	Connector/ Cable Exit	Switch Type	Circuit Diagram	Bar Charts	Differential Travel max.	Operating Force/ Torque max.	Re-lease Force/ Torque max.																			
Plunger Head	NGCP*****X01 B/C/D/L/M/N/P/Q/R/S/T	A	01			1,2 mm [0.047 in]	11 N [2.47 lb]	3 N [0.67 lb]																			
	NGCP*****X01 B/C/D/L/M/N/P/Q/R/S/T	B																									
	NGCP*****X01 B/C/D/L/M/N/P/Q/R/S/T	D																									
	NGCP*****X07 B/C/D/L/M/N/P/Q/R/S/T	A	07																								
	NGCP*****X07 B/C/D/L/M/N/P/Q/R/S/T	B																									
	NGCP*****X07 B/C/D/L/M/N/P/Q/R/S/T	D																									
	NGCP*****X01 B/C/D/L/M/N/P/Q/R/S/T	N	01							1,2 mm [0.047 in]	11 N [2.47 lb]	3 N [0.67 lb]															
	NGCP*****X07 B/C/D/L/M/N/P/Q/R/S/T	N																									
	NGCM*****X01 B/C/D/L/M/N/P/Q/R/S/T	A	01										1,2 mm [0.047 in]	11 N [2.47 lb]	3 N [0.67 lb]												
	NGCM*****X01 B/C/D/L/M/N/P/Q/R/S/T	B																									
	NGCM*****X01 B/C/D/L/M/N/P/Q/R/S/T	D																									
	NGCM*****X07 B/C/D/L/M/N/P/Q/R/S/T	A	07																								
	NGCM*****X07 B/C/D/L/M/N/P/Q/R/S/T	B																									
	NGCM*****X07 B/C/D/L/M/N/P/Q/R/S/T	D																									
	NGCM*****X01 B/C/D/L/M/N/P/Q/R/S/T	P	01														1,2 mm [0.047 in]	11 N [2.47 lb]	3 N [0.67 lb]								
	NGCP*****X07 B/C/D/L/M/N/P/Q/R/S/T	P																									
	NGCP*****X24 B/C/D/L/M/N/P/Q/R/S/T	A	24																		1,4 mm [0.051 lb]	9,5 N [2.14 lb]	2,2 N [0.49 lb]				
	NGCP*****X24 B/C/D/L/M/N/P/Q/R/S/T	B																									
	NGCP*****X24 B/C/D/L/M/N/P/Q/R/S/T	D																									
	NGCP*****X32 B/C/D/L/M/N/P/Q/R/S/T	A	32																						1,4 mm [0.051 lb]	9,5 N [2.14 lb]	2,2 N [0.49 lb]
NGCP*****X32 B/C/D/L/M/N/P/Q/R/S/T	B																										
NGCP*****X32 B/C/D/L/M/N/P/Q/R/S/T	D																										
NGCM*****X24 B/C/D/L/M/N/P/Q/R/S/T	A	24			1,4 mm [0.051 lb]	9,5 N [2.14 lb]	2,2 N [0.49 lb]																				
NGCM*****X24 B/C/D/L/M/N/P/Q/R/S/T	B																										
NGCM*****X24 B/C/D/L/M/N/P/Q/R/S/T	D																										
NGCM*****X32 B/C/D/L/M/N/P/Q/R/S/T	A	32																									
NGCM*****X32 B/C/D/L/M/N/P/Q/R/S/T	B																										
NGCM*****X32 B/C/D/L/M/N/P/Q/R/S/T	D																										

# MICRO SWITCH COMPACT LIMIT SWITCHES, NGC SERIES

Table 7. Top Roller Arm Operating Characteristics, Head Type J

Actuation	Catalog Listing	Connector/ Cable Exit	Switch Type	Circuit Diagram	Bar Charts	Differential Travel max.	Operating Force/ Torque max.	Release Force/ Torque max.
Top Roller Arm	NGCP*****X01 J	A	01			4 mm [0.157 in]	5,5 N [1.24 lb]	1,2 N [0.27 lb]
	NGCP*****X01 J	B						
	NGCP*****X01 J	D						
	NGCP*****X07 J	A	07					
	NGCP*****X07 J	B						
	NGCP*****X07 J	D						
	NGCP*****X01 J	N	01					
	NGCP*****X07 J	N						
	NGCM*****X01 J	A	01					
	NGCM*****X01 J	B						
	NGCM*****X01 J	D						
	NGCM*****X07 J	A	07					
	NGCM*****X07 J	B						
	NGCM*****X07 J	D						
	NGCM*****X01 J	P	01					
	NGCP*****X07 J	P						
	NGCP*****X24 J	A	24					
	NGCP*****X24 J	B						
	NGCP*****X24 J	D						
	NGCP*****X32 J	A	32					
NGCP*****X32 J	B							
NGCP*****X32 J	D							
NGCM*****X24 J	A	24						
NGCM*****X24 J	B							
NGCM*****X24 J	D							
NGCM*****X32 J	A	32						
NGCM*****X32 J	B							
NGCM*****X32 J	D							

## ADDITIONAL MATERIALS

The following associated literature is available on the Honeywell web site at [sps.honeywell.com/ast](https://sps.honeywell.com/ast):

- Product line guide
- Product part listing/nomenclature tree
- Product range guide
- Application note

## FOR MORE INFORMATION

Honeywell Sensing and Internet of Things services its customers through a worldwide network of sales offices and distributors. For application assistance, current specifications, pricing, or the nearest Authorized Distributor, visit [sps.honeywell.com/ast](https://sps.honeywell.com/ast) or call:

USA/Canada	+302 613 4491
Latin America	+1 305 805 8188
Europe	+44 1344 238258
Japan	+81 (0) 3-6730-7152
Singapore	+65 6355 2828
Greater China	+86 4006396841

### Honeywell

#### Advanced Sensing Technologies

830 East Arapaho Road  
Richardson, TX 75081  
[sps.honeywell.com/ast](https://sps.honeywell.com/ast)

## WARRANTY/REMEDY

Honeywell warrants goods of its manufacture as being free of defective materials and faulty workmanship during the applicable warranty period. Honeywell's standard product warranty applies unless agreed to otherwise by Honeywell in writing; please refer to your order acknowledgment or consult your local sales office for specific warranty details. If warranted goods are returned to Honeywell during the period of coverage, Honeywell will repair or replace, at its option, without charge those items that Honeywell, in its sole discretion, finds defective. **The foregoing is buyer's sole remedy and is in lieu of all other warranties, expressed or implied, including those of merchantability and fitness for a particular purpose. In no event shall Honeywell be liable for consequential, special, or indirect damages.**

While Honeywell may provide application assistance personally, through our literature and the Honeywell web site, it is buyer's sole responsibility to determine the suitability of the product in the application.

Specifications may change without notice. The information we supply is believed to be accurate and reliable as of this writing. However, Honeywell assumes no responsibility for its use.

## WARNING IMPROPER INSTALLATION

- Consult with local safety agencies and their requirements when designing a machine-control link, interface and all control elements that affect safety.
- Strictly adhere to all installation instructions.

**Failure to comply with these instructions could result in death or serious injury.**

## WARNING MISUSE OF DOCUMENTATION

- The information presented in this product sheet is for reference only. Do not use this document as a product installation guide.
- Complete installation, operation, and maintenance information is provided in the instructions supplied with each product.

**Failure to comply with these instructions could result in death or serious injury.**

单击下面可查看定价，库存，交付和生命周期等信息

[>>Honeywell\(霍尼韦尔\)](#)