

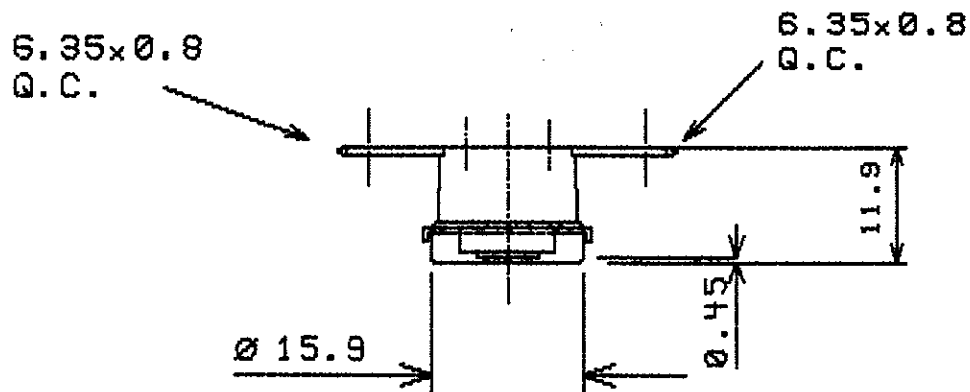
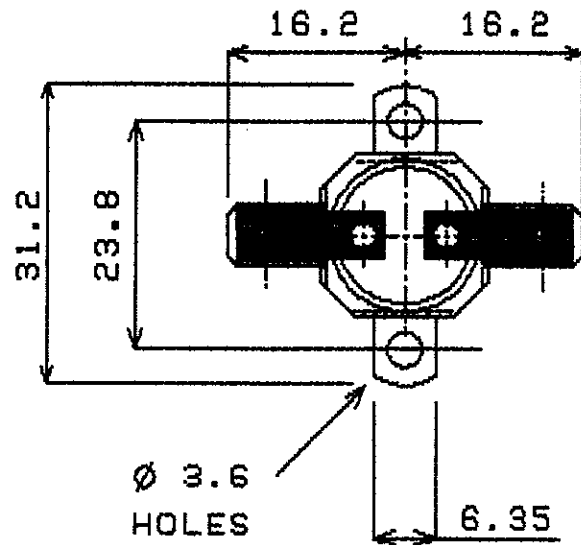
DO NOT SCALE ALL DIMENSIONS ARE FOR REFERENCE ONLY

OPERATING CRITERIA

VOLTS: 240 AMPS: 10 HZ:

OPERATING TEMPS. DEG.C

OPEN: 80 ± 3
CLOSE: 65 ± 5



NOTE: ORIENTATION OF BRACKET IS NOT FIXED

ISSUE	A	B							
MOD No	2052	2358							
MTH/YR	3/97	7/98							

CODING REQUIREMENTS
COLOUR: LASER CODE
L80C RP 9100 436XXX

CAP: 5200 MAT'L: ALUMINIUM
BRK'T: B2036 MAT'L: STEEL
..... PLATING: NICKEL

TERMINAL: T146	T146
MATERIAL: BRASS	BRASS

ELMWOOD DEVICE & UNIQUE PART No.
2455RP-9100-436

ELMWOOD DRG No. ISSUE
965204 B



ELMWOOD
SENSORS LTD

DATE OF ISSUE STAMP

7/98

(XXX = DATE CODING)

单击下面可查看定价，库存，交付和生命周期等信息

[>>Honeywell\(霍尼韦尔\)](#)