

DO NOT SCALE ALL DIMENSIONS ARE FOR REFERENCE ONLY

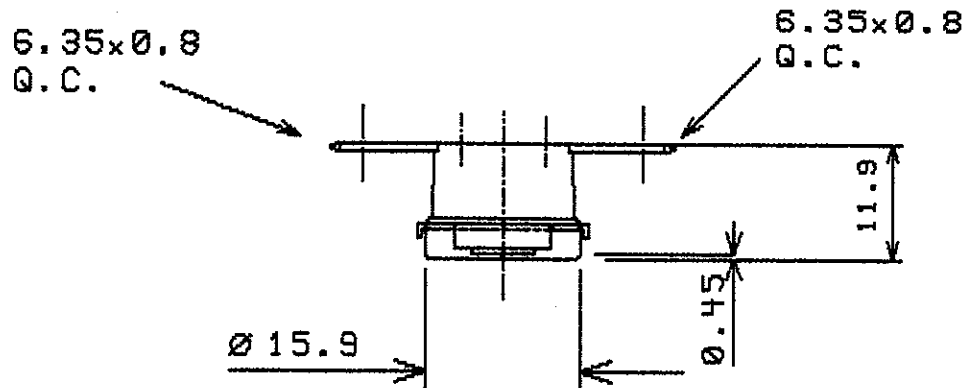
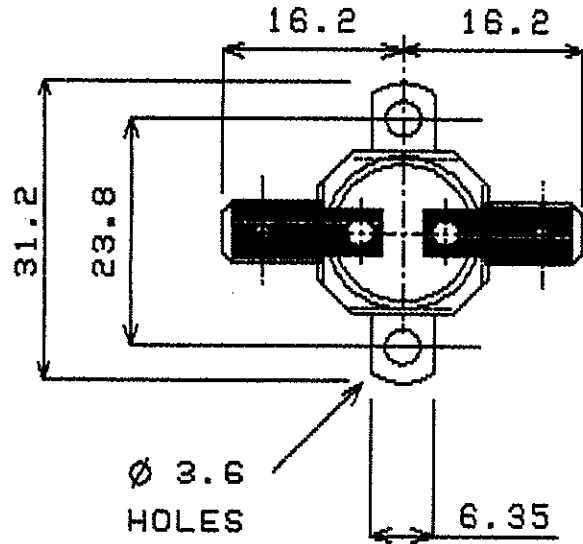
OPERATING CRITERIA

VOLTS; 240      AMPS; 10      HZ;

OPERATING TEMPS. DEG. C

OPEN; 25      ± 3

CLOSE; 15      ± 4



NOTE: ORIENTATION OF BRACKET IS NOT FIXED

ISSUE	A	B								
MOD No	2052	2250								
MTH/YR	3/97	7/98								

CODING REQUIREMENTS

COLOUR; LASER CODE  
L25C RP 9100 431 XXX

(XXX = DATE CODING)

CAP; 6200      MAT'L; ALUMINIUM  
BRK'T; B2036      MAT'L; STEEL  
..... PLATING; NICKEL  
TERMINAL; T146      T146  
MATERIAL; BRASS      BRASS  
PLATING;

ELMWOOD DEVICE & UNIQUE PART No.  
2455RP-9100-431

ELMWOOD DRG No.      ISSUE  
965199      B



ELMWOOD  
SENSORS LTD

DATE OF ISSUE STAMP  
7 JUN 1998

单击下面可查看定价，库存，交付和生命周期等信息

[>>Honeywell\(霍尼韦尔\)](#)