

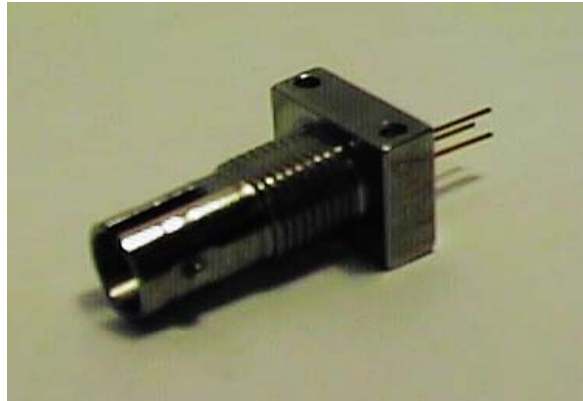
Honeywell

Fiber Optic LAN Components 1310nm InGaAs PIN Detector

HFD8003-002/XBA

FEATURES

- High reliability passivated planar structure.
- High Responsivity
- Low Dark Current
- Hermetically sealed package installed in industry standard ST housing
- -40°C to +85°C operating temperature



DESCRIPTION

The single mode design uses an InGaAs PIN photodetector to offer high responsivity for nearly all digital and analogue fibre optic applications. The unique design balances high speed performance with noise free linear output. Every component delivered has passed extensive high temperature screening to ensure long term reliability. Compatible with industry standards, the active device mounted components incorporate hermetically sealed TO -18 style PIN packages which have been actively aligned for optimum performance.

APPLICATION

Spectral response has been optimised for the long wavelength region of 1100 nm to 1700 nm, which makes this device suitable for long distance single mode communications links. With an active area of 75 μm diameter it is suitable for use with most fiber types.

Fiber Optic LAN Components

1310nm InGaAs PIN Detector

HFD8003-002/XBA

ABSOLUTE MAXIMUM RATINGS

Storage temperature	-55 to +125°C
Operating temperature	-40 to +85°C
Reverse breakdown voltage	18 volts
Soldering temperature	+260 °C, 10 secs

NOTICE

Stresses greater than those listed under “Absolute Maximum Ratings” may cause permanent damage to the device. This is a stress rating only and functional operation of the device at these or any other conditions above those indicated in the operations section for extended periods of time may affect reliability.

ELECTRO-OPTICAL CHARACTERISTICS (Tests made at 25°C unless otherwise specified)

Parameter	Test conditions	Symbol	Min	Typ	Max	Unit
Reverse breakdown voltage	$I_r = 10 \mu A$ $I_r = 250 \mu A$	BVR	3.0		18	V
Forward Current		I_f			5	mA
Capacitance	$V_r = 0 V, f = 1 MHz$	C		1.15	1.9	pF
Responsivity (50 μm coupled)	$H = 10 \mu W, V_r = 5 Volts$ 50 μm Core, $\lambda = 1.3 \mu m$	R_c	0.75	0.85		A/W
Responsivity (62.5 μm coupled)	$H = 10 \mu W, V_r = 5 Volts$ 62.5 μm Core, $\lambda = 1.3 \mu m$	R_c	0.65	0.8		A/W
Dark Current	$V_r = 5 Volts, H = 0 mW$	I_d		2	5	nA
Response Time	10%-90%, $V_r = 5 Volts$	t_r t_f		0.5 0.5	1.0 1.0	ns
Spectral Response		λ	1100		1700	nm
Electrical Bandwidth		BWE		1.5		GHz
Storage temperature			-55		+125	°C
Operating temperature			-40		+85	°C
Soldering temperature	Max. 10 seconds	T			+260	°C

NOTICE

The inherent design of this component causes it to be sensitive to electrostatic discharge (ESD). To prevent ESD-induced damage and/or degradation to equipment, take normal ESD precautions when handling this product.

Fiber Optic LAN Components

1310nm InGaAs PIN Detector

HFD8003-002/XBA

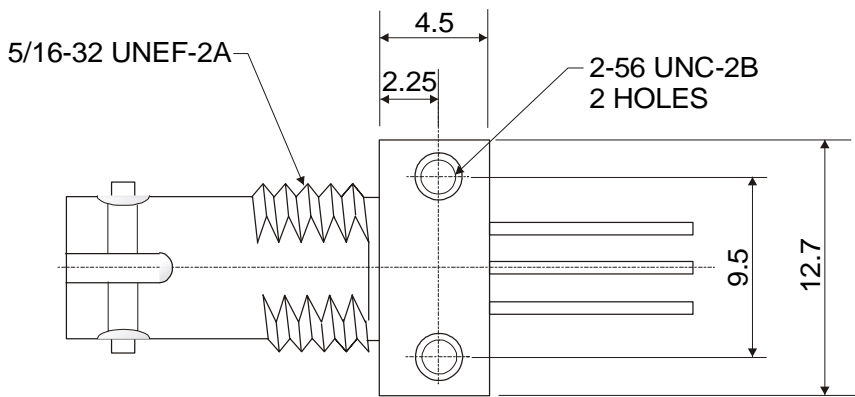
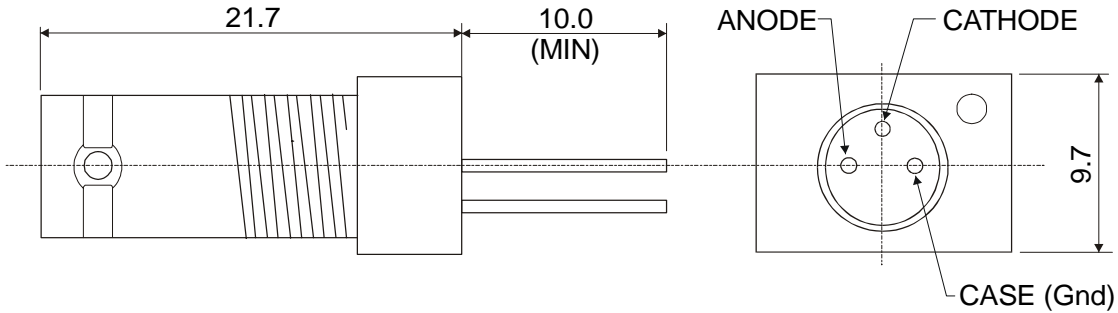
ORDER GUIDE

Catalog Listing	Description
HFD8003-002/XBA	1300nm PIN Diode in ST PCB housing

MOUNTING DIMENSIONS

(for reference only)

Note: 1. The component is isolated from the connector.



SALES AND SERVICE

Honeywell's serves its customers through a worldwide network of sales offices, representatives and distributors. For application assistance, current specifications, pricing or name of the nearest Authorized Distributor, contact a nearby sales office or:

1-815-235-6487 USA/Canada
 1-800-537-6945 International
 +44 (0)1698 481 481 UK

INTERNET

<http://www.honeywell.sensing.com>

Specifications may change at anytime and without notice. The information we supply is believed to be accurate and reliable as of this printing. However, we assume no responsibility for its use.

While we provide application assistance, personally and through our literature, it is up to the customer to determine the suitability of the product in the application.

单击下面可查看定价，库存，交付和生命周期等信息

[>>Honeywell\(霍尼韦尔\)](#)