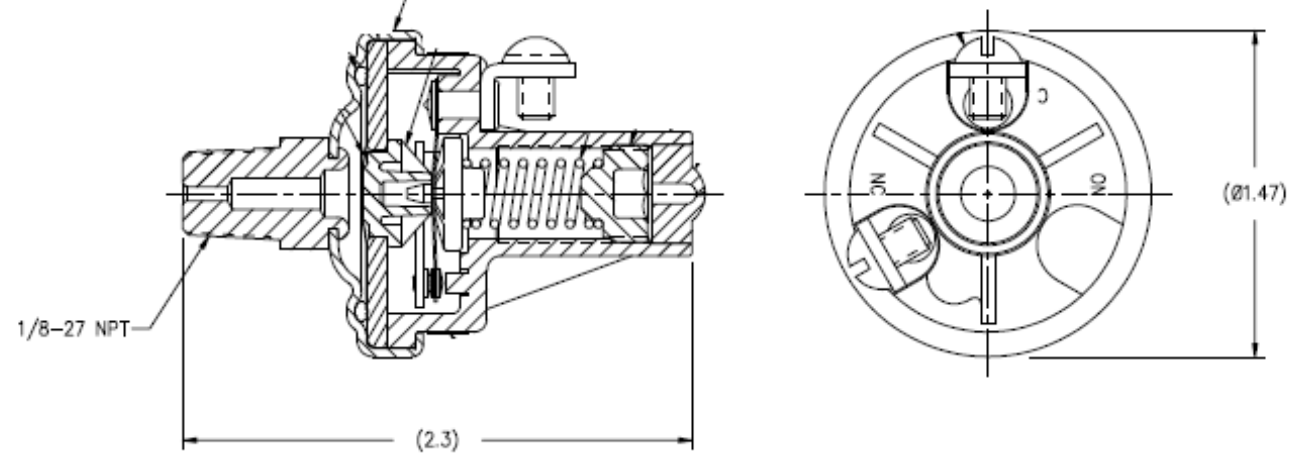


FD-55111-C

HONEYWELL PART NUMBER 78303
-----------------------------------

REV	DOCUMENT	CHANGED BY	CHECK
C	0070272	SBH 12OCT10	CMH

USING 3/32 HIGH CHARACTERS, MARK WITH HONEYWELL  
PART NO., PRESSURE SETTING, DATE CODE AND  
ELECTRICAL RATING AS FOLLOWS:  
78303-X XXX 3 AMP-6V 1.5 AMP-12V



SM. TO: 78063, M-4266

NOTES:

1. SINGLE CIRCUIT NORMALLY CLOSED PRESSURE SWITCH.
2. OPENING RANGE 25-50 ± 4 PSI.
3. SEE SPEC. 99005 FOR MANUFACTURING SPEC.

DESIGN UNITS: INCH TOLERANCES UNLESS NOTED:	DRAWN MRH 20MAR92	<b>Honeywell</b>	
NO PLACES .X ± -	CHECK - -		
ONE PLACE .X ± .020	THIS DRAWING COVERS A PROPRIETARY ITEM AND IS THE PROPERTY OF HONEYWELL. THIS DRAWING IS NOT TO BE COPIED OR USED WITHOUT THE PERMISSION OF HONEYWELL.		TITLE
TWO PLACES .XX ± .010			PRESSURE SWITCH N.C. SCREW TERMINALS UL 5000 SERIES SWITCH
THREE PLACES .XXX ± .005	INTERPRET PER ASME Y14.5M-1994 OTHER HONEYWELL ENGINEERING STANDARDS MAY APPLY		SIZE
ANGLES .X ± 0° 30'			B
THIRD ANGLE PROJECTION 	AUTOCAD 2D	SCALE	2:1
		CAGE CODE	78303
		DRAWING NAME	
		REV	C
		SHEET	1 OF 1

单击下面可查看定价，库存，交付和生命周期等信息

[>>Honeywell\(霍尼韦尔\)](#)