

PART NUMBER
50082626-001

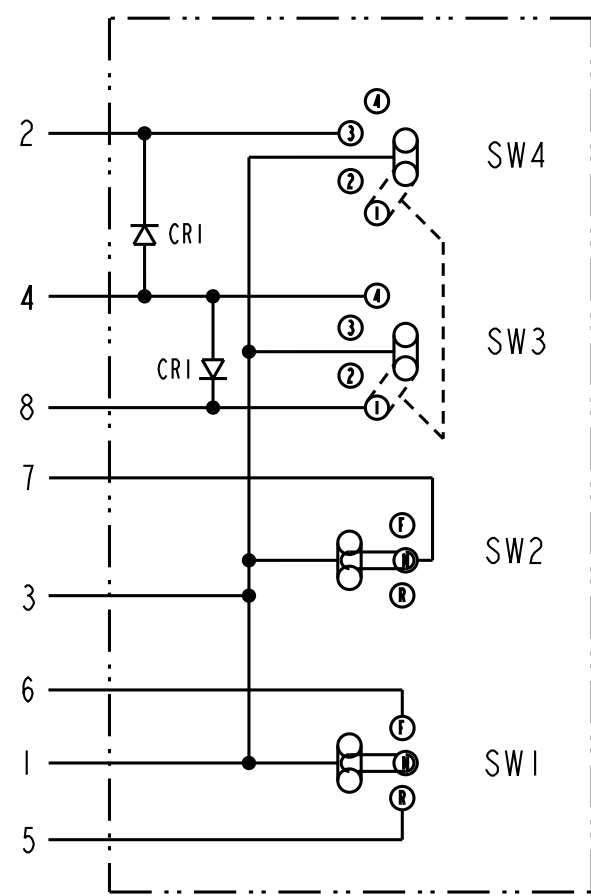
REVISION HISTORY					
REV	DOCUMENT	DESCRIPTION	CHG'D BY	DATE	APPROVED
A	0098571	RELEASED PER ECO	SJK	2013-03-20	M. SHAKIL

ENVIRONMENTAL SPECIFICATION

CHARACTERISTIC	MIN	NOM	MAX	UNITS	NOTES
OPERATING TEMPERATURE	-40	-	85	°C	
STORAGE TEMPERATURE	-55	-	85	°C	
VIBRATION	7	-	250	Hz	FREQUENCY: 7-250Hz DURATION: 4 HOURS IN EACH AXES ACCELERATION: 3.2G RMS
FNR SWITCH LIFE	500,000 CYCLES				TESTED AT 12V
SPEED SELECTOR SWITCH LIFE	1,000,000 CYCLES				
SEALING	IP 67				

ELECTRICAL SPECIFICATION

OPERATING VOLTAGE	3	12	32	VDC	
OPERATING CURRENT	-	-	2	A	SOLENOID LOAD AT 12.8V WITH ARC SUPPRESSION



ELECTRICAL SCHEMATIC

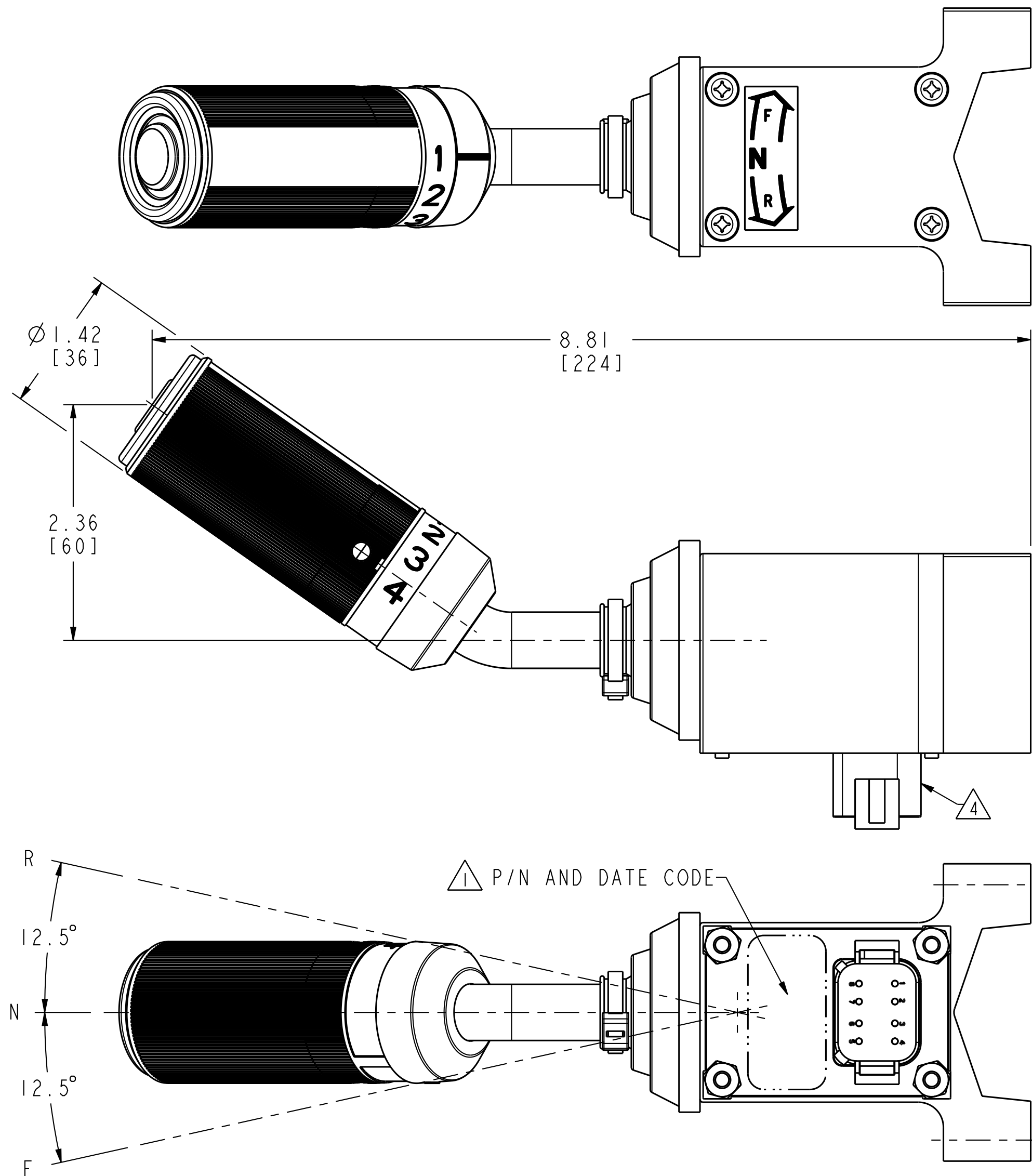
(SHOWN IN NEUTRAL)

LEGEND

F	FORWARD POSITION	SW3	SPEED SELECTOR SWITCH
N	NEUTRAL POSITION	SW4	SPEED SELECTOR SWITCH
R	REVERSE POSITION	1	FIRST GEAR POSITION
CR1	DIODE	2	SECOND GEAR POSITION
SW1	DIRECTION SELECTOR SWITCH	3	THIRD GEAR POSITION
SW2	NEUTRAL INDICATOR SWITCH	4	FOURTH GEAR POSITION

NOTES:

- ① - CUSTOMER PART NO. AND DATE CODE TO BE MARKED IN THE AREA SHOWN.
- 2 - TORQUE REQUIREMENT TO CHANGE DIRECTIONS TO BE 22 ± 7 IN. LBS. (2.5 ± 0.8 N-m)
- 3 - TORQUE REQUIREMENT TO CHANGE SPEEDS TO BE 8.88 ± 2.6 IN. LBS. (1.0 ± 0.3 N m)
- ④ - A. MATING CONNECTOR: DEUTSCH DT06-08S
B. CONNECTOR TERMINAL: DEUTSCH 1062-16-0122
OPTIONAL TERMINAL: DEUTSCH 0462-201-16141
C. CONNECTOR WEDGE: DEUTSCH W8S
D. SEALING PLUG: DEUTSCH 114017



CUSTOMER PRINT

UNLESS OTHERWISE SPECIFIED		THIRD ANGLE PROJECTION		Honeywell				
DIMENSIONS ARE IN INCHES				TITLE				
DECIMAL TOL				SHIFTER ASSEMBLY				
NO PLACE ---				F-N-R SHIFTER				
1 PLACE --- ±.020				SIZE	CAGE CODE	DWG NO	TYPE	REV
2 PLACE --- ±.010				C	-	50082626	I	A
3 PLACE --- ±.005				SCALE	1:1	REF WT.	SHEET 1 of 1	
ANGULAR TOL - ±0°30' CHAMFER -				RELEASE DATE	2013-03-20		HONEYWELL CONFIDENTIAL	
				DRW: K. SHRIRAM	2013-01-08		THIS DOCUMENT CONTAINS PROPRIETARY INFORMATION AND SUCH INFORMATION MAY NOT BE DISCLOSED TO OTHERS FOR ANY PURPOSE, NOR USED FOR MANUFACTURING PURPOSES WITHOUT WRITTEN PERMISSION FROM HONEYWELL	
				RDE: M. SHAKIL	2013-01-08			
				QA: -	-			
				CHK: M. SHAKIL	2013-01-08			
				COMPUTER GENERATED DRAWING: PRO/ENGINEER				

单击下面可查看定价，库存，交付和生命周期等信息

[>>Honeywell\(霍尼韦尔\)](#)