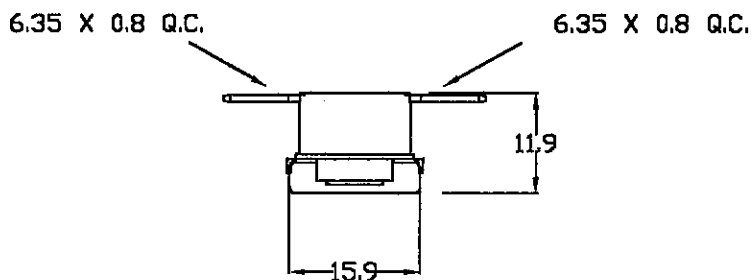
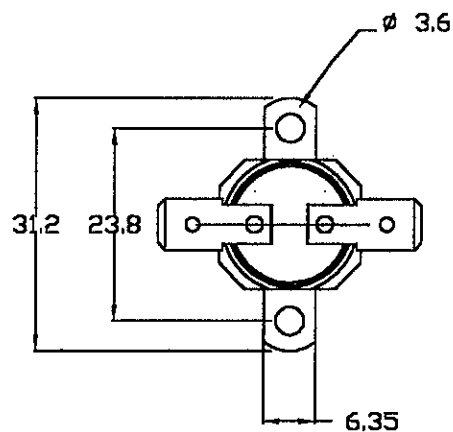


ALL DIMENSIONS ARE FOR REFERENCE ONLY

DO NOT SCALE DRAWING

ALL DIMENSIONS IN mm UNLESS STATED.



OPERATING CRITERIA	
VOLTS;	240VAC
AMPS;	10A
OPERATING CRITERIA	
OPEN;	100±4°C
CLOSE;	85±5°C

SPECIAL ARRANGEMENTS
PURPLE SPOT
NOTE:- CODING TO SUIT MANUFACTURING SITE

NOTE:- ORIENTATION OF BRACKET IS NOT FIXED

DRAWN BY;  
G.D.

ISSUE MOD No. MTH/YR	A 3052 03/97	B 3358 07/98	C 3640 01/01	
-------------------------	--------------------	--------------------	--------------------	--

CODING REQUIREMENTS	
COLOUR;	WHITE
	L100C
	9100-438-UXX
	7100-438-ZXX
(XXX = DATE CODING)	

CAP;	MAT'L;		
BRK'T;	B203S	MAT'L;	STEEL
		PLATING;	NICKEL
TERMINAL;	T146		
MATERIAL;	BRASS		
PLATING;	-		

ELMWOOD DEVICE & UNIQUE PART NUMBER	DATE OF ISSUE STAMP
2455RP-9100-438(UK)	18 JAN 2001
2455RP-7100-438(CHINA)	

	ELMWOOD DRG No.	ISSUE
	965206	C

单击下面可查看定价，库存，交付和生命周期等信息

[>>Honeywell\(霍尼韦尔\)](#)