

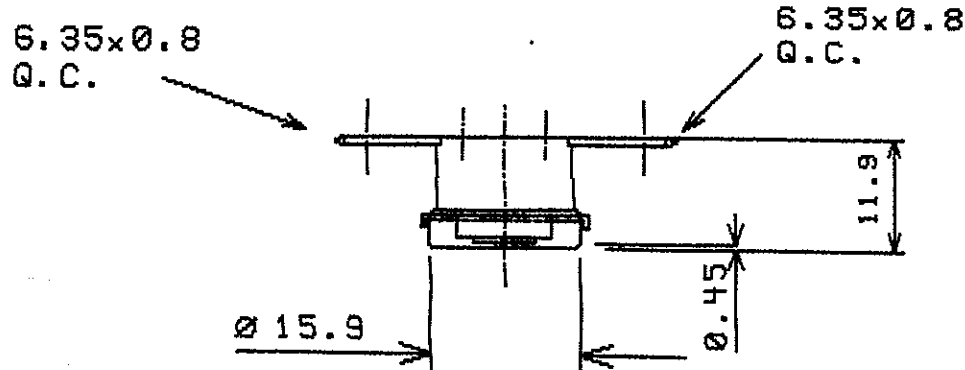
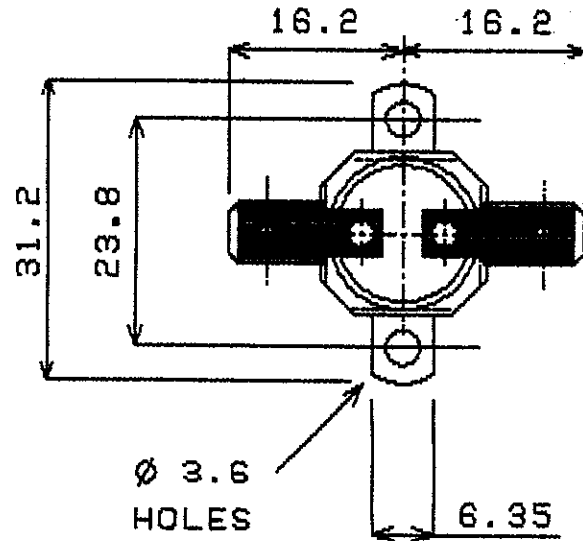
DO NOT SCALE ALL DIMENSIONS ARE FOR REFERENCE ONLY

OPERATING CRITERIA

VOLTS: 240      AMPS: 10      HZ:

OPERATING TEMPS. DEG. C

OPEN: 30      ± 3  
 CLOSE: 20      ± 4



NOTE! ORIENTATION OF BRACKET IS NOT FIXED

ISSUE	A	B							
MOD No	2052	2350							
MTH/YR	3/97	7/98							

CODING REQUIREMENTS  
 COLOUR: LASER CODE  
 L30C RP 9100 432 XXX

CAP: 8200      MAT'L: ALUMINIUM  
 BRK'T: B2036      MAT'L: STEEL  
 ..... PLATING: NICKEL .....  
 TERMINAL: T146      : T146  
 MATERIAL: BRASS      : BRASS

ELMWOOD DEVICE & UNIQUE PART No.  
 2455RP-9100-432

ELMWOOD DRG No.      ISSUE  
 965200      B

**E**      ELMWOOD  
 SENSORS LTD

DATE OF ISSUE STAMP  
 7 JUL 1998

(XXX = DATE CODING)

单击下面可查看定价，库存，交付和生命周期等信息

[>>Honeywell\(霍尼韦尔\)](#)