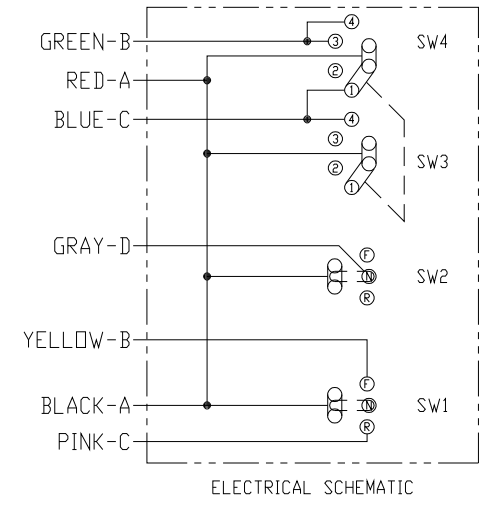
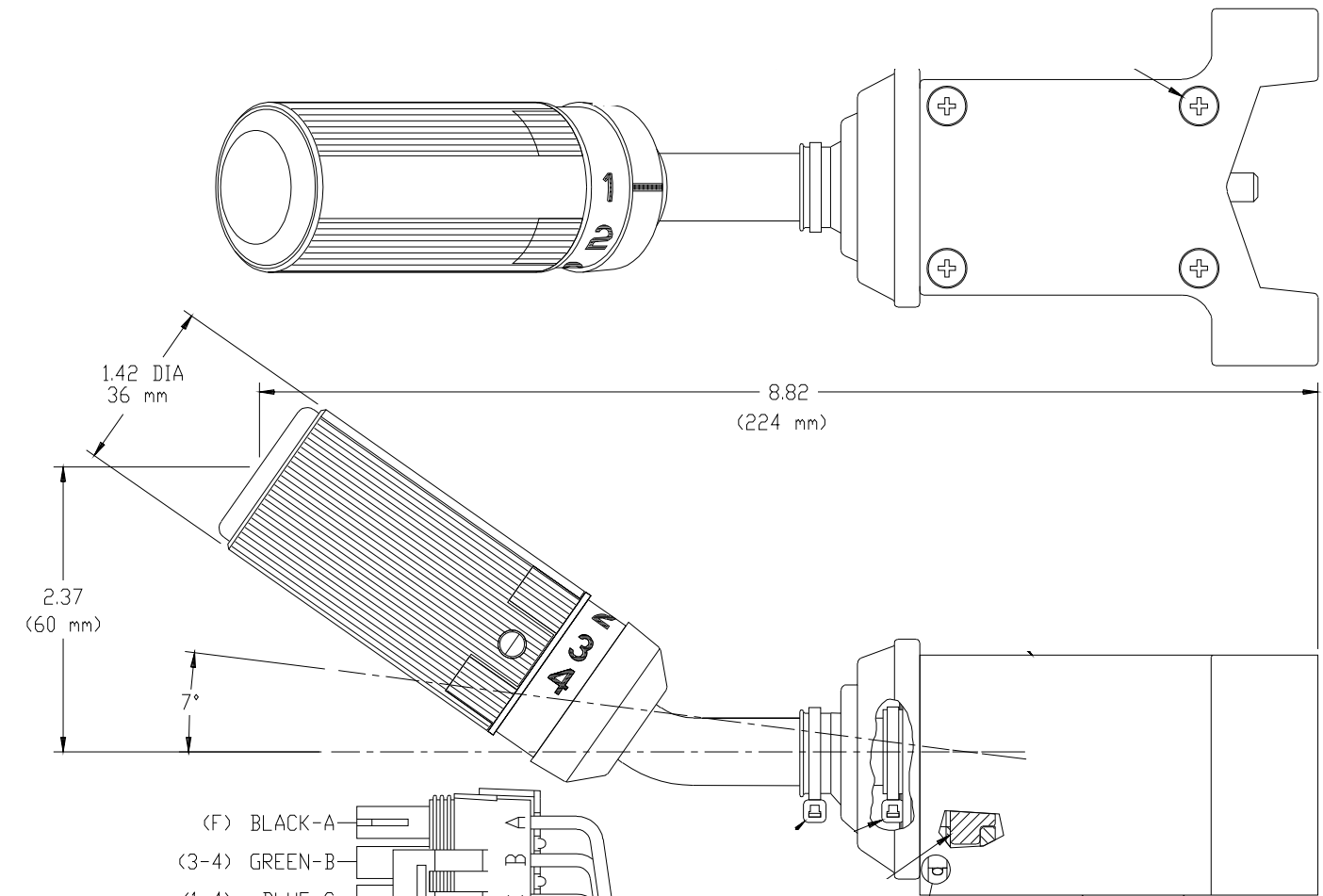


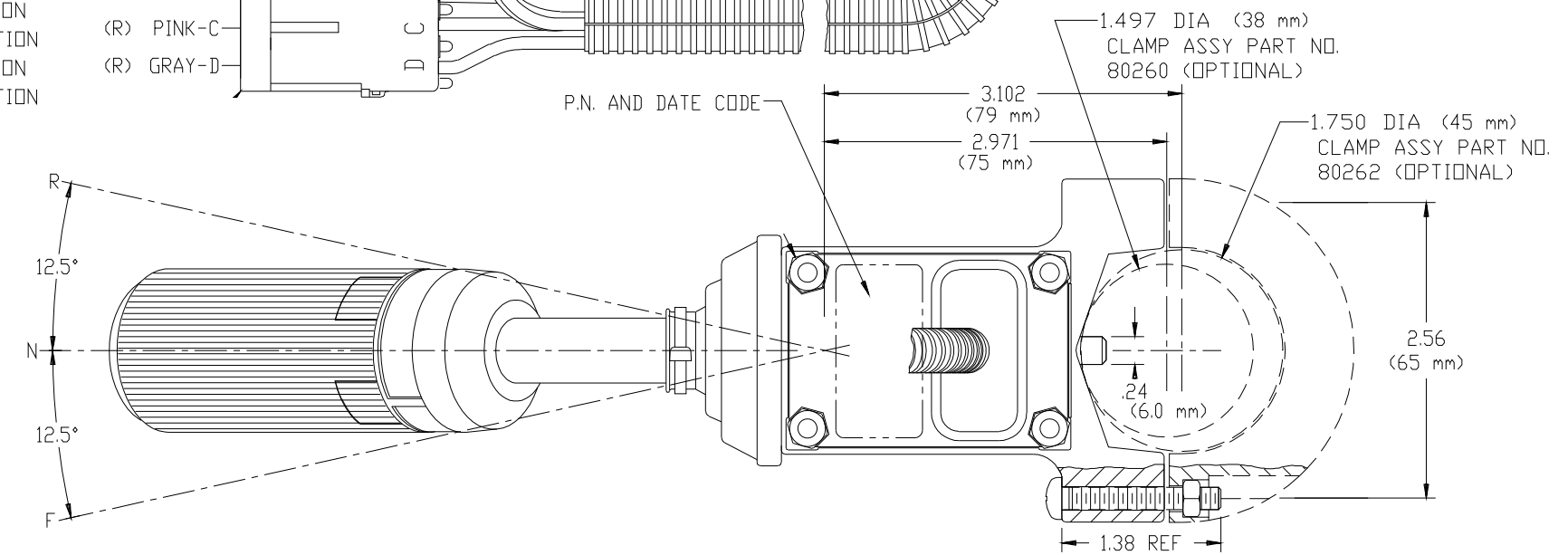
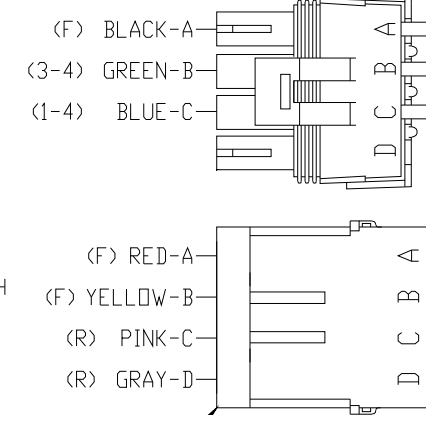
PART NUMBER		84467		REV.	C
DESCRIPTION OF CHANGE					
APPD.	REV.	DATE	PCN NO.	BY	
	A	27Aug98	30954	RF	
RELEASE FOR PRODUCTION					
	B	18Apr00	32219	RF	
REFLECT CHANGE TO 84594 HOUSING, HANDLE & C.B. ASSY					
	C	30Sep02	33201	RF	
REFLECT CHANGE TO ITEM 1-84594-HOUSING, HANDLE & C.B. ASSY					
THESE EDGES WHEN INSTALLED					



ELECTRICAL SCHEMATIC
SHOWN IN NEUTRAL

LEGEND

F	FORWARD POSITION	SW4	SPEED SELECTOR SWITCH
N	NEUTRAL POSITION	1	FIRST GEAR POSITION
R	REVERSE POSITION	2	SECOND GEAR POSITION
SW1	DIRECTION SELECTOR SWITCH (B POSITIVE)	3	THIRD GEAR POSITION
		4	FOURTH GEAR POSITION
SW2	NEUTRAL START SWITCH		
SW3	SPEED SELECTOR SWITCH		



CONNECTOR-PACKARD NO. 12015797
 TERMINAL NO. PACKARD NO. 12089188
 CABLE SEAL NO. 12015284
 MATING NO. 12010974
 CONNECTOR-PACKARD NO. 12010974
 TERMINAL NO. PACKARD NO. 12089040
 CABLE SEAL NO. 12010293
 MATING NO. 12015797

PROPRIETARY INFORMATION. PROPERTY OF HOBBS CORPORATION. SIM. TO: 82913

DRAWN		CHECKED		TOLERANCES UNLESS OTHERWISE SPECIFIED		NAME	
RF				X.X ± .020 X.XX ± .010 X.XXX ± .005		SHIFTER ASSY 4X4 W/O HORN BUTTON	
DATE		SCALE		MATERIAL		NEXT ASSY.	
7Jul98		1:1		FINISH		PART NUMBER	
DO NOT SCALE		DKT. NO.				84467	

单击下面可查看定价，库存，交付和生命周期等信息

[>>Honeywell\(霍尼韦尔\)](#)