

DO NOT SCALE PRINT

Honeywell

GTN GEARTOOTH SENSOR

CATALOGUE LISTING
SEE ORDER GUIDE

| ITEM | DESCRIPTION | MATERIAL |
|------|----------------|--------------------|
| 1 | HOUSING | PA 6.6 GF 25 |
| 2 | BUSH | CuZn39Pb2 |
| 3 | HOUSING | STAINLESS STEEL |
| 4 | CONNECTOR PINS | CuZn TINNED 5um |
| 5 | 'O' RING | ACM 70+/-5 SHORE A |
| 6 | BLANKING PLUG | PE-LD |

GTN SERIES CHART

REPLACES

DRAWING NUMBER

ISSUE

RELEASE No.

REVISIONS

3/2000

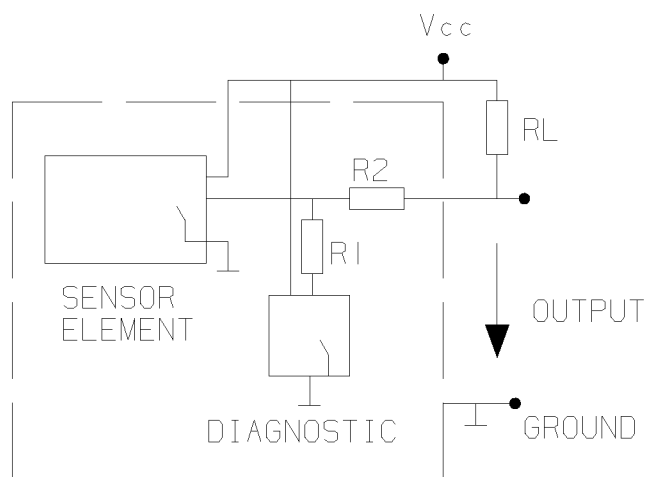
J. BEGLEY.

DRAWN

CHECK

DESIGN

AUTHOR 'N



SCHEMATIC DIAGRAM

RESISTOR R1 : 16.9k(12V)/16.5k(24V)
RESISTOR R2 : 1k(12V)/1.5k(24V)

NOTES:-

1. TECHNICAL SPECIFICATION :- ES 24395
2. MOUNTING HOLE DIMENSION $\varnothing 20$ H9
0.8um SURFACE FINISH
RECOMMENDED LEAD IN CHAMFER
 $20^\circ \pm 3^\circ$, 3mm $^{+0.5}_0$ LONG
RECOMMENDED TORQUE ON MOUNTING BUSH
25Nm $^{+5}_0$
3. ADDITIONAL CABLE PROTECTION
AVAILABLE USING CONDUIT
AND CONNECTOR INTERFACE
eg. HARNESSFLEX C108-AS3

| ORDER GUIDE | DIMENSION 'X' | CONNECTOR POSITION | SUPPLY VOLTAGE |
|-------------|---------------|--------------------|----------------|
| GTNIA111 | 40 | POSITION 1 | 12V Vcc |
| GTNIA112 | 53 | POSITION 1 | 12V Vcc |
| GTNIA113 | 77.5 | POSITION 1 | 12V Vcc |
| GTNIA114 | 83.5 | POSITION 1 | 12V Vcc |
| GTNIA115 | 95 | POSITION 1 | 12V Vcc |
| GTNIA116 | 100 | POSITION 1 | 12V Vcc |
| GTNIA117 | 125 | POSITION 1 | 12V Vcc |
| GTNIA211 | 40 | POSITION 1 | 24V Vcc |
| GTNIA131 | 40 | POSITION 3 | 12V Vcc |

TOLERANCES
UNLESS OTHERWISE STATED

ANGULAR \pm

THE COPYRIGHT OF THIS DRAWING IS THE PROPERTY OF HONEYWELL LTD. THE DRAWING IS SUPPLIED IN CONFIDENCE AND MUST NOT BE USED FOR ANY PURPOSE OTHER THAN THAT FOR WHICH IT IS SUPPLIED.

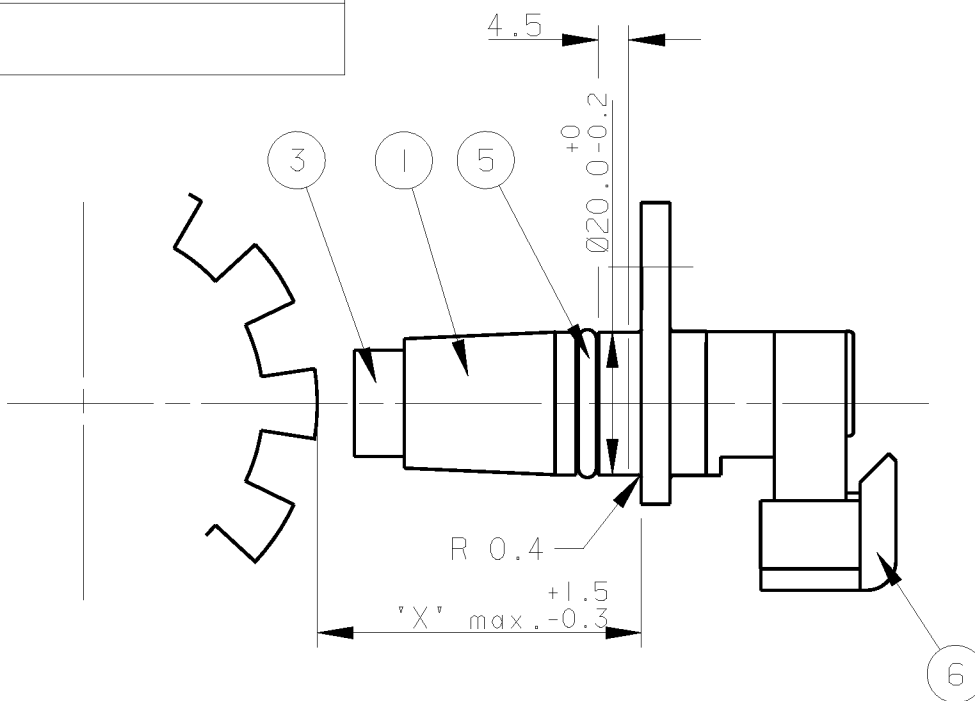
THIRD ANGLE
PROJECTION



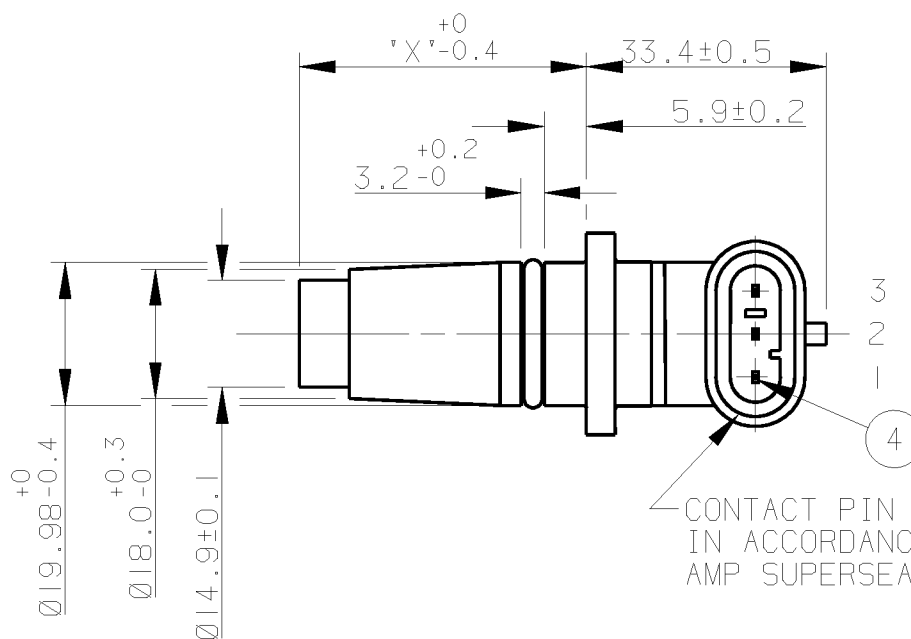
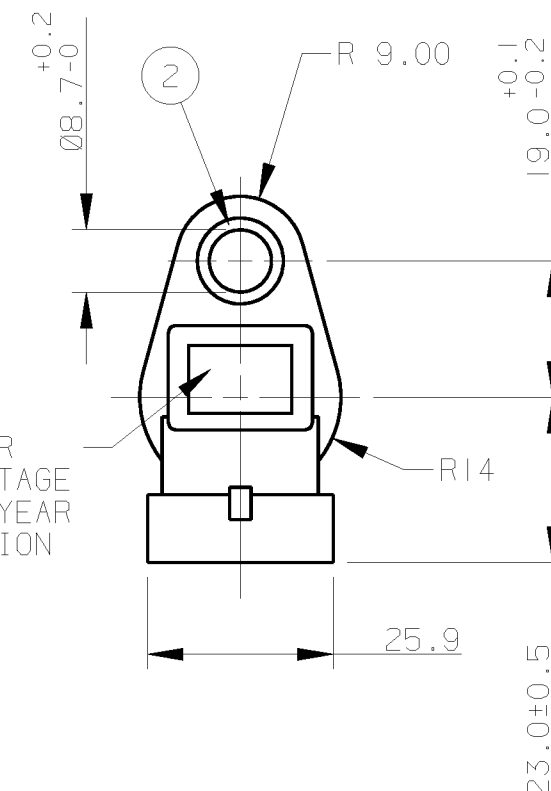
SCALE
N.T.S.

DIMENSIONS ARE IN
MILLIMETRES

MODIFY ON CAD
SYSTEM ONLY



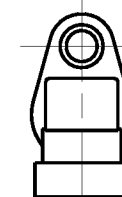
HONEYWELL
PART NUMBER
SUPPLY VOLTAGE
MONTH AND YEAR
OF PRODUCTION
MM, YY



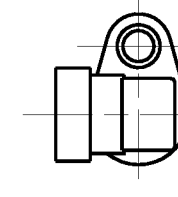
- 3 = Vcc
- 2 = OUTPUT
- 1 = GROUND

CONTACT PIN HOUSING
IN ACCORDANCE WITH
AMP SUPERSEAL 1.5 SERIES 282105

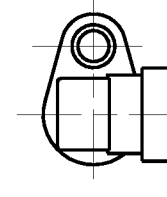
VARIABLE CONNECTOR POSITION RELATIVE TO THE FLANGE



POSITION 1



POSITION 2



POSITION 3

单击下面可查看定价，库存，交付和生命周期等信息

[>>Honeywell\(霍尼韦尔\)](#)