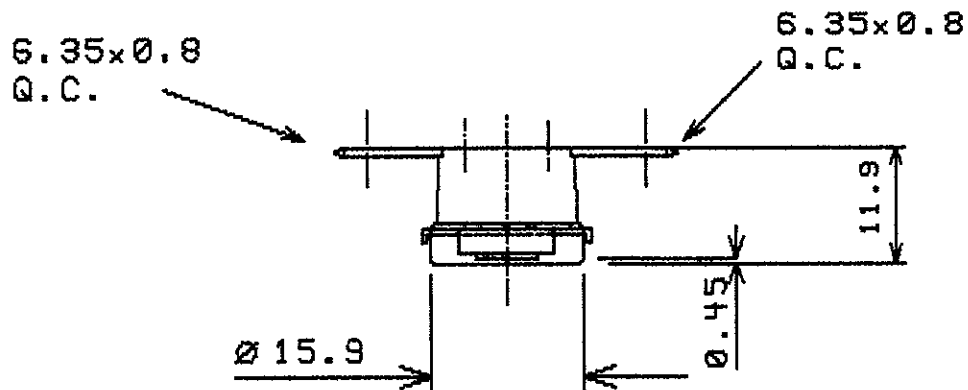
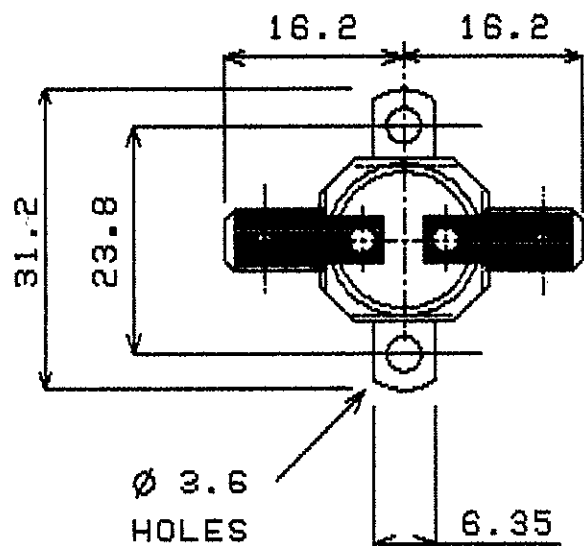


DO NOT SCALE ALL DIMENSIONS ARE FOR REFERENCE ONLY



OPERATING CRITERIA

VOLTS; 240 AMPS; 10 HZ;

OPERATING TEMPS. DEG.C

OPEN; 75 ± 3
CLOSE; 90 ± 5

NOTE: ORIENTATION OF BRACKET IS NOT FIXED

CODING REQUIREMENTS


COLOUR; LASER CODE
F90C RP 9100 445XXX

(XXX = DATE CODING)

CAP; 5200 MAT'L; ALUMINIUM
BRK'T; B2036 MAT'L; STEEL
..... PLATING; NICKEL
TERMINAL; T146 T146
MATERIAL; BRASS BRASS
PLAT

Downloaded From Oneyac.com

ISSUE	A	B							
MOD No	2052	2259							
MTH/YR	3/97	7/98							

ELMWOOD DEVICE & UNIQUE PART No. 2455RP-9100-445	ELMWOOD DRG No. 965213	ISSUE B
 ELMWOOD SENSORS LTD	DATE OF ISSUE STAMP <i>[Signature]</i> 7 JUL 1998	

单击下面可查看定价，库存，交付和生命周期等信息

[>>Honeywell\(霍尼韦尔\)](#)