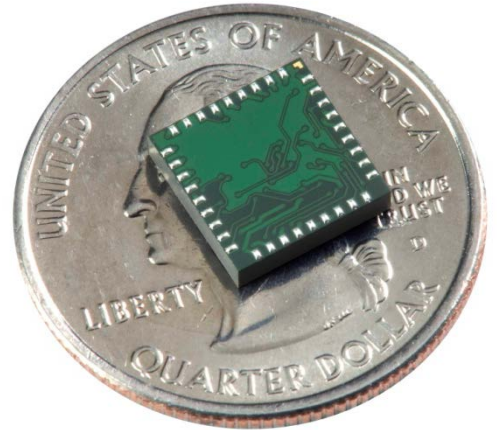


Three-axis Compass with Algorithms

HMC6343

The Honeywell HMC6343 is a fully integrated compass module that includes firmware for heading computation and calibration for magnetic distortions. The module combines three-axis magneto-resistive sensor, three-axis MEMS accelerometer, analog and digital support circuits, microprocessor and algorithms required for heading computation. By combining the sensor elements, processing electronics, and firmware into a 9.0mm by 9.0mm by 1.9mm LCC package, Honeywell offers a complete, ready to use tilt-compensated electronic compass. This provides design engineers with the simplest solution to integrate high volume, cost effective compasses into binoculars, cameras, night vision optics, laser ranger finders, antenna positioning, and other industrial compassing applications.



The HMC6343 utilizes Honeywell's Anisotropic Magneto-resistive (AMR) technology that provides advantages over other magnetic sensor technologies. The sensors feature precision sensitivity and linearity, solid-state construction with very low cross-axis sensitivity designed to measure both direction and magnitude of Earth's magnetic field. Honeywell's Magnetic Sensors are among the most sensitive and reliable low-field sensors in the industry.

FEATURES

- ▶ Compass with Heading/Tilt Outputs
- ▶ Three-Axis MR Sensors, Accelerometers and a Microprocessor in a Single Package
- ▶ Compass Algorithms
- ▶ 9 x 9 x 1.9mm LCC Surface Mount Package
- ▶ Low Voltage Operations
- ▶ EEPROM Memory
- ▶ Digital Serial Data Interface
- ▶ Lead Free Package Construction
- ▶ Flexible Mounting

BENEFITS

- ▶ A complete compass solution including compass firmware
- ▶ A digital compass solution with heading and tilt angle outputs in a chip-scale package
- ▶ For computation of heading, and magnetic calibration for hard-iron
- ▶ Small size, easy to assemble and compatible with high speed surface mount technology assembly
- ▶ Compatible with battery powered applications
- ▶ To store compass data for processor routines
- ▶ I²C Interface, easy to use 2-wire communication for heading output
- ▶ Complies with RoHS environmental standards
- ▶ Can be mounted on horizontal or vertical circuit boards

HMC6343

SPECIFICATIONS

Characteristics	Conditions	Min	Typ	Max	Units
-----------------	------------	-----	-----	-----	-------

Power Supply

Supply Voltage ⁽¹⁾	VDD Referenced to GND	2.7	3.3	3.6	Volts
Current ⁽³⁾	All VDD pins connected together				
	Run Mode (10Hz Output)		4.5		mA
	Standby Mode		4.0		mA
	Sleep mode		120		μA
	Power-up peak (VDD = 3.3V)		20		mA
Power-on Rate ⁽¹⁾ (microprocessor)	Minimum rise time	0.05	-	-	V/msec

Compass Function

Field Range ⁽³⁾	total applied magnetic field (de-gauss if exposed to >5gauss)	-1500		+1500	mgauss
Heading Accuracy	At Level ⁽²⁾		2.0	3.0	deg RMS
	±15° tilt ⁽³⁾		3.0		
	±60° tilt ⁽³⁾		4.0		
Heading Resolution ⁽³⁾	Output Data		0.1		degrees
Heading Repeatability ⁽³⁾	Output Data (1σ)		±0.3		degrees
Heading Hysteresis ⁽³⁾	Output Data (1σ)		±0.3		degrees
Update Rate ⁽¹⁾	Run Mode (1, 5, 10Hz)	1	5	10	Hz
Tilt Range ⁽³⁾	From Horizontal		±80		degrees
Tilt Accuracy	0° to ±15° ⁽²⁾		±1		degrees
	±15° to ±60° ⁽³⁾		±2		
Tilt Resolution ⁽³⁾	Output Data		0.1		degrees
Tilt Repeatability ⁽³⁾	Output Data (1σ)		±0.2		degrees

Offset Straps

Resistance ⁽¹⁾	Measured from OFF+ to OFF-		8		ohms
---------------------------	----------------------------	--	---	--	------

General

Operating Temperature ⁽³⁾	Ambient	-40		85	°C
Storage Temperature ⁽³⁾	Ambient, unbiased	-55		125	°C
Weight ⁽³⁾			0.32		grams
ESD Voltage ⁽³⁾				250	V
MSL ⁽³⁾	Moisture Sensitivity Level	3			-
Solder Temp ⁽³⁾	Peak Reflow Temp (< 30 seconds)			250	°C

(1) By Design

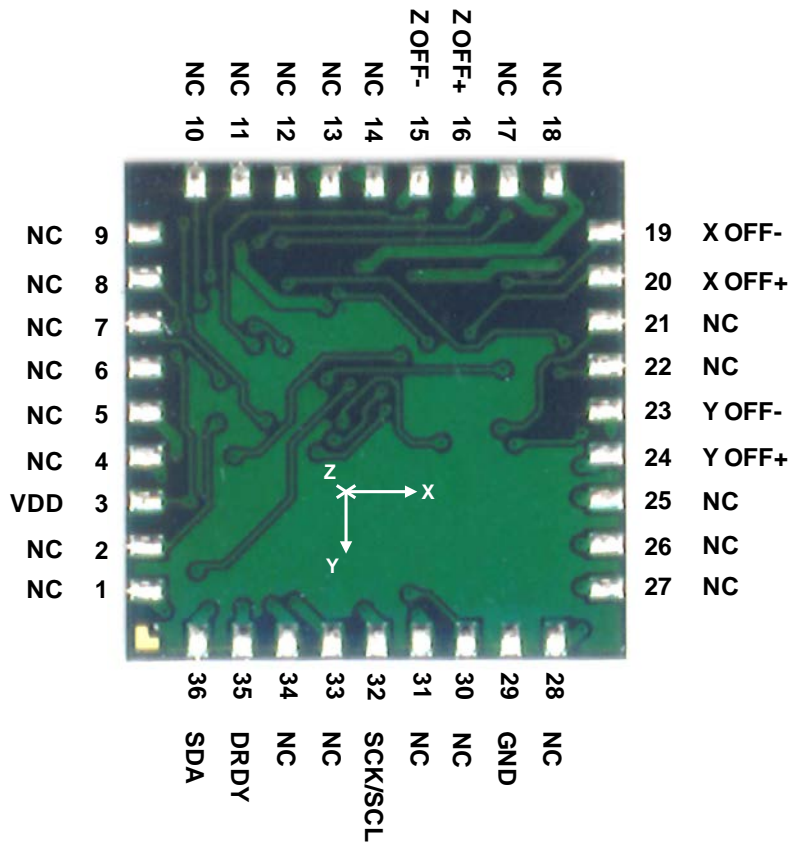
(2) Tested at 25°C and 3.3V except stated otherwise.

(3) Characterized

HMC6343

PIN CONFIGURATION

Pin Number	Description	Pin Number	Description
1	NC	19	X OFF-
2	NC	20	X OFF+
3	VDD	21	NC
4	NC	22	NC
5	NC	23	Y OFF-
6	NC	24	Y OFF+
7	NC	25	NC
8	NC	26	NC
9	NC	27	NC
10	NC	28	NC
11	NC	29	GND
12	NC	30	NC
13	NC	31	NC
14	NC	32	SCK/SCL
15	Z OFF-	33	NC
16	Z OFF+	34	NC
17	NC	35	DRDY
18	NC	36	SDA



BOTTOM VIEW

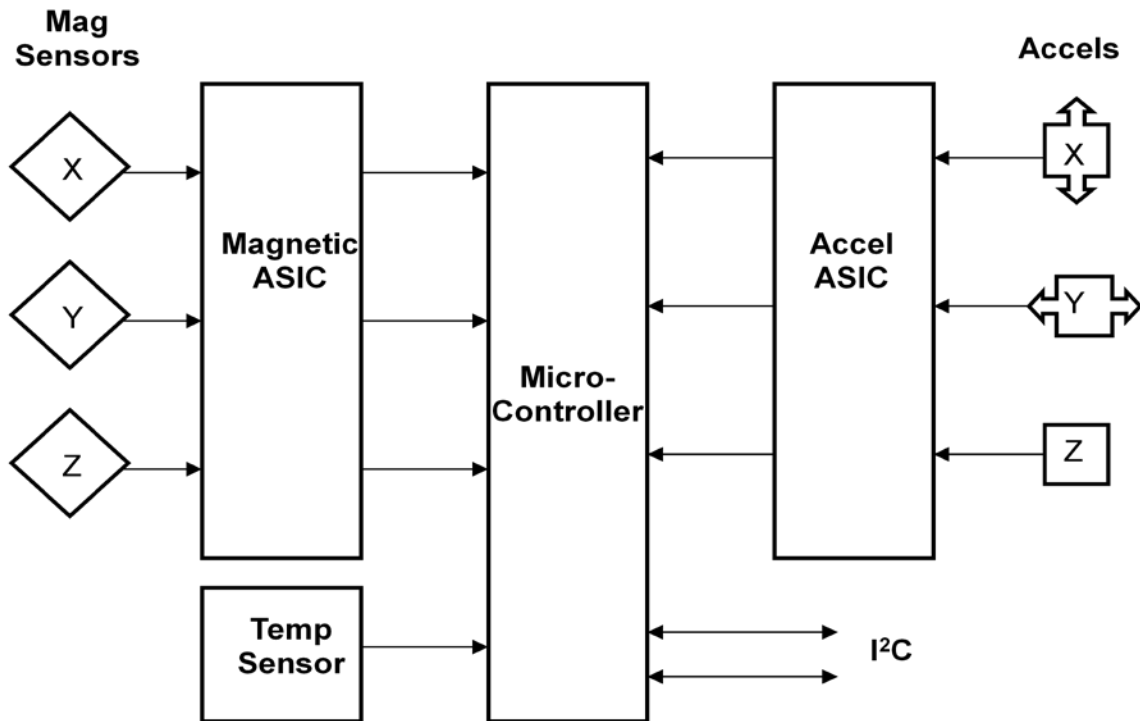
HMC6343

BASIC DEVICE OPERATION

The Honeywell HMC6343 magnetoresistive sensor circuit is a trio of magnetic sensors, accelerometers, and analog support circuits to measure magnetic fields and gravity tilt angles necessary to accurately produce accurate tilt-compensated compass headings. Additionally, a microcontroller is integrated to use the sensor information for computation of heading direction and calibration. With power applied, the sensor converts any incident magnetic field in the sensitive axis direction to a differential voltage output. In addition to the bridge circuit, the sensors have on-chip magnetically coupled offset straps for incident field adjustment.

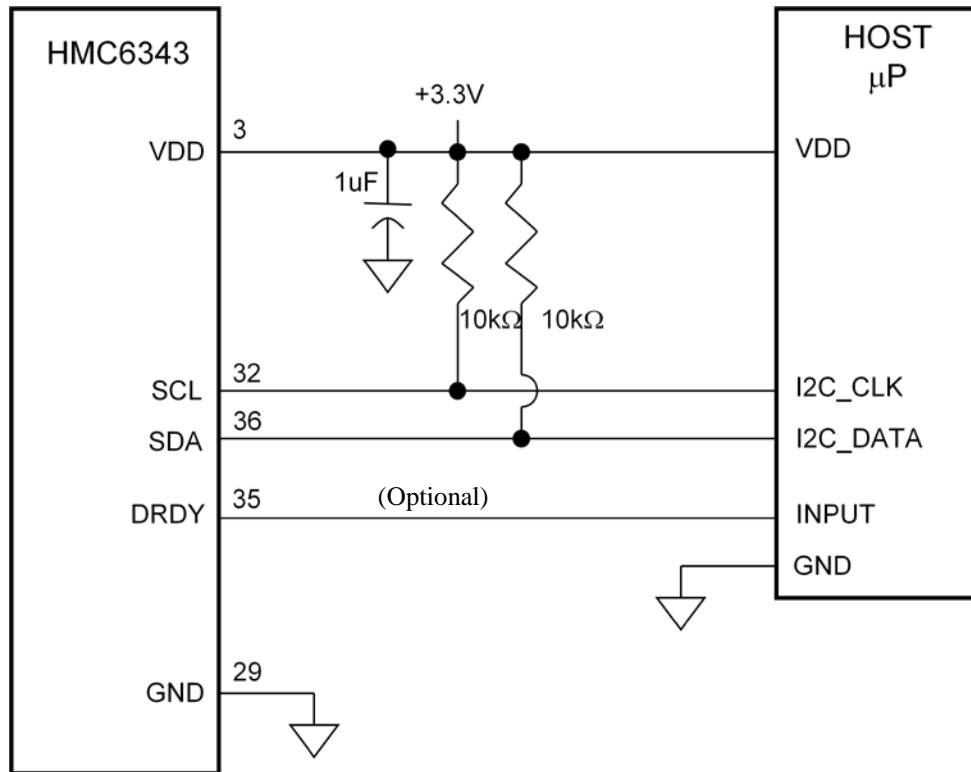
The circuit is sensitive to power supply noise, and adding a 1.0 microfarad ceramic capacitor is recommended on the positive supply to help reduce noise. Also careful layout practices should be enforced to keep high current traces (>10mA) a few millimeters away from the sensors. Also, since the sensors are typically sensing the earth's magnetic field direction, avoid employing RF/EMI shields using ferrous metals or coatings.

FUNCTIONAL DIAGRAM



HMC6343

BASIC SCHEMATIC INTERFACE



Offset Straps

The three offset straps have a spiral of metallization that couples in the magnetic sensor element's sensitive axis. With current applied the straps will generate a magnetic field internal to the sensor. With most applications, the offset strap is not utilized and can be ignored. Designers can leave one or both strap connections (Off- and Off+) open circuited, or ground one connection node.

DRDY Pin

The DRDY pin will rise and go high when new data have been loaded into the output registers. The amount of time the DRDY pin stays low depends on the ODR (Output Data Rate). The table below shows the times for each ODR setting.

ODR	DRDY Low
1	>750 uS
5	>150 uS
10	>75 uS

Operational Modes

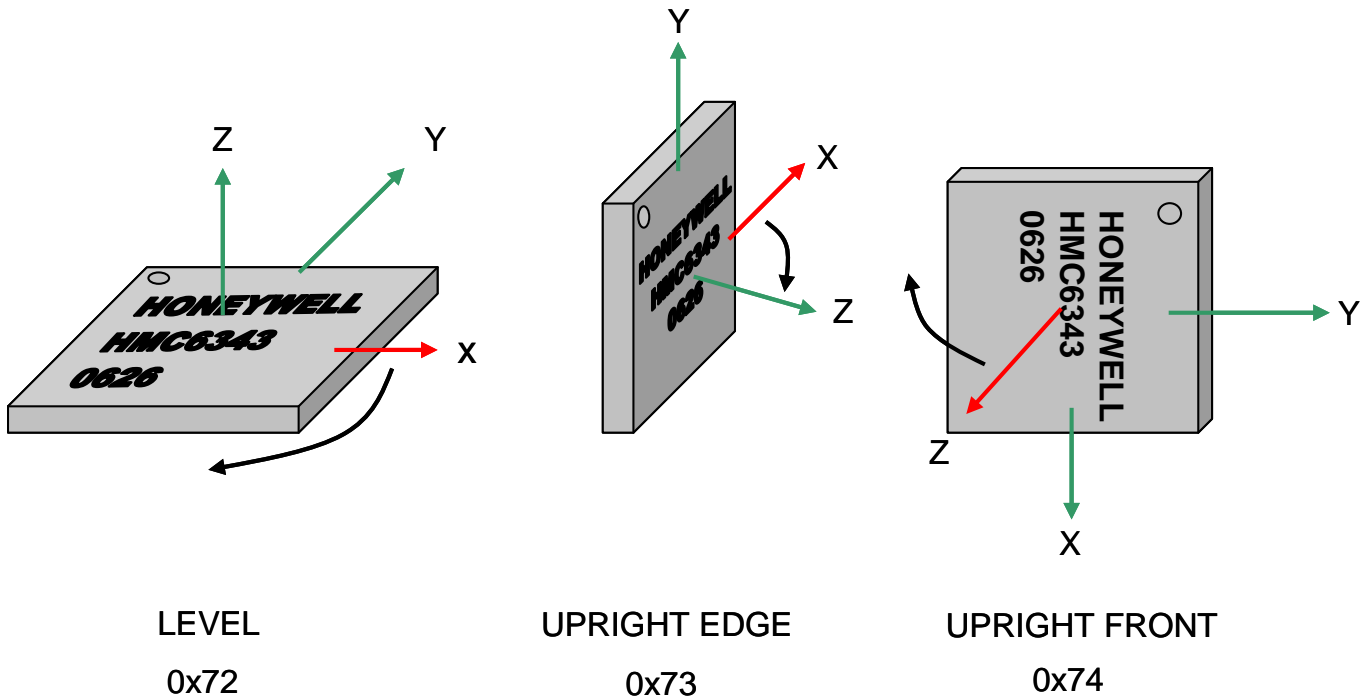
The HMC6343 has three operational modes; Sleep, Standby, and Run. Sleep mode is defined as having the analog circuitry powered off, and has the lowest power consumption while power is applied to the VDD pins. Standby mode has the HMC6343 fully powered, but with no measurements performed and the processor is waiting for commands to perform. Run mode is fully engaged in continuous measurements at the configured rate, and ready to receive further commands. The operational mode settings are stored in EEPROM register 0x04, and shown further the HMC6343 protocol definition.

HMC6343

Mounting Orientations

The HMC6343 provides for three standard mounting orientations, with a flat horizontal orientation (Level) as the factory default. For vertical mounting, there are two upright orientations with either the X-axis or the Z-axis designated as the forward reference directions. To change the forward reference direction temporarily, send the appropriate command byte (0x72, 0x73, or 0x74) for level or upright orientations. For other orientations, you can add or subtract 90 degree increments of deviation angle as required from the three choices. The figure below shows pictorially the orientations.

To permanently change orientation, poke EEPROM Operational Mode Register 1 (0x04) with the appropriate binary bits set for Level, Upright Edge (UE), or Upright Front (UF). The HMC6343 will operate in the selected orientation after a power-up or reset command. More on the EEPROM registers in the following sections.



HMC6343 ORIENTATIONS

Red Arrow is the Forward Direction

I²C COMMUNICATION PROTOCOL

The HMC6343 communicates via a two-wire I²C bus system as a slave device. The HMC6343 uses a layered protocol with the interface protocol defined by the I²C bus specification, and the lower command protocol defined by Honeywell. The data rate is the standard-mode 100kbps rate as defined in the I²C Bus Specification 2.1. The bus bit format is an 8-bit Data/Address send and a 1-bit acknowledge bit. The format of the data bytes (payload) shall be case sensitive ASCII characters or binary data to the HMC6343 slave, and binary data returned. Negative binary values will be in two's complement form. The default (factory) HMC6343 7-bit slave address is 0x32 for write operations, or 0x33 for read operations.

The HMC6343 Serial Clock (SCL) and Serial Data (SDA) lines do not have internal pull-up resistors, and require resistive pull-ups (Rp) between the master device (usually a host microprocessor) and the HMC6343. Pull-up resistance values of about 10k ohms are recommended with a nominal 3.3-volt supply voltage. Other values may be used as defined in the I²C Bus Specification 2.1.

The SCL and SDA lines in this bus specification can be connected to a host of devices. The bus can be a single master to multiple slaves, or it can be a multiple master configuration. All data transfers are initiated by the master device which is responsible for generating the clock signal, and the data transfers are 8 bit long. All devices are addressed by I²C's unique 7 bit address. After each 8-bit transfer, the master device generates a 9th clock pulse, and releases the SDA line.

HMC6343

The receiving device (addressed slave) will pull the SDA line low to acknowledge (ACK) the successful transfer or leave the SDA high to negative acknowledge (NACK).

Per the I²C spec, all transitions in the SDA line must occur when SCL is low. This requirement leads to two unique conditions on the bus associated with the SDA transitions when SCL is high. Master device pulling the SDA line low while the SCL line is high indicates the Start (S) condition, and the Stop (P) condition is when the SDA line is pulled high while the SCL line is high. The I²C protocol also allows for the Restart condition in which the master device issues a second start condition without issuing a stop.

All bus transactions begin with the master device issuing the start sequence followed by the slave address byte. The address byte contains the slave address; the upper 7 bits (bits7-1), and the Least Significant bit (LSb). The LSb of the address byte designates if the operation is a read (LSb=1) or a write (LSb=0). At the 9th clock pulse, the receiving slave device will issue the ACK (or NACK). Following these bus events, the master will send data bytes for a write operation, or the slave will clock out data with a read operation. All bus transactions are terminated with the master issuing a stop sequence.

I²C bus control can be implemented with either hardware logic or in software. Typical hardware designs will release the SDA and SCL lines as appropriate to allow the slave device to manipulate these lines. In a software implementation, care must be taken to perform these tasks in code.

I²C Slave Address

The I²C slave address byte consists of the 7 most significant bits with the least significant bit zero filled. As described earlier, the default (factory) value is 0x32 and the legal I²C bounded values are between 0x10 and 0xF6. This slave address is in EEPROM address 0x00. Users can change the slave address by writing to this location. Any address updates will become effective after the next power up or after a reset command.

Software Version

This EEPROM software version number byte contains the binary value of the programmed software.

Deviation Angle Correction

Typically the HMC6343 X-axis (or Z-axis) is designated the forward direction of the compass, and is placed mechanically towards the forward direction of the end user product. The deviation angle is used to correct for mechanical angle errors in package orientation by adding the deviation angle to the internal compass heading before the result is placed as the computed heading. Two EEPROM Bytes are used to store the deviation angle, and the binary value is in tenths of a degree and in two's complement form for a ± 1800 representation. The deviation angle MSB is located in EEPROM register 0x0B and the LSB in 0x0A.

Variation Angle Correction

The variation angle or declination angle of the HMC6343 is the number of degree that must be added to the internal compass heading to convert the magnetic north reference direction to the geographic (true) north reference direction. This angle information is provided to the HMC6343 from external latitude and longitude data processed through a World Magnetic Model equation to compute variation angle, or by lookup table. Two EEPROM Bytes are used to store the variation angle, and the binary value is in tenths of a degree and in two's complement form for a ± 1800 representation. The deviation angle MSB is located in EEPROM register 0x0D and the LSB in 0x0C.

Magnetometer Offsets

The Magnetometer Offset bytes are the values stored after the completion of the last factory or user hard-iron calibration routine. Additional value changes are possible, but will be overwritten when the next calibration routine is completed. Note that these offset values are added to the sensor offset values computed by the set/reset routine to convert the raw magnetometer data to the compensated magnetometer data. These values are written into EEPROM addresses 0x0E to 0x13 and loaded to RAM on the power up.

HMC6343

Heading Filter

This allows for an Infinite Impulse Response (IIR) filter to be employed on current and previous heading data outputs. Typical values are 0 to 15 with a factory default of zero. The filter is only applied in run mode where a continuous stream of data is present. At the 5Hz default update rate, a filter value of 4 would weigh the latest heading with the previous four headings of regressive weightings for a second's worth of filtering.

EEPROM Registers

The HMC6343 contains EEPROM non-volatile memory locations (registers) to store useful compass data for processor routines. The following Table shows the register locations, content, description, and factory shipped defaults.

Table 1 – EEPROM Registers

EEPROM Location	Content	Description	Factory Default
0x00	Slave Address	I2C Slave Address	0x32
0x01	Reserved		
0x02	S/W_Version	Software Version Number	
0x03	Reserved		
0x04	OP_Mode1	Operational Mode Register 1	0x11
0x05	OP_Mode2	Operational Mode Register 2	0x01
0x06	S/N LSB	Device Serial Number	
0x07	S/N MSB	Device Serial Number	
0x08	Date Code: YY	Package Date Code: Last Two Digits of the Year	Year
0x09	Date Code: WW	Package Date Code: Fiscal Week	Week
0x0A	Deviation LSB	Deviation Angle (± 1800) in tenths of a degree	0x00
0x0B	Deviation MSB	Deviation Angle (± 1800) in tenths of a degree	0x00
0x0C	Variation LSB	Variation Angle (± 1800) in tenths of a degree	0x00
0x0D	Variation MSB	Variation Angle (± 1800) in tenths of a degree	0x00
0x0E	X_Offset LSB	Hard-Iron Calibration Offset for the X-axis	0x00
0x0F	X_Offset MSB	Hard-Iron Calibration Offset for the X-axis	0x00
0x10	Y_Offset LSB	Hard-Iron Calibration Offset for the Y-axis	0x00
0x11	Y_Offset MSB	Hard-Iron Calibration Offset for the Y-axis	0x00
0x12	Z_Offset LSB	Hard-Iron Calibration Offset for the Z-axis	0x00
0x13	Z_Offset MSB	Hard-Iron Calibration Offset for the Z-axis	0x00
0x14	Filter LSB	Heading IIR Filter (0x00 to 0x0F typical)	0x00
0x15	Filter MSB	Heading IIR Filter (set at zero)	0x00

HMC6343

Command Protocol

The command protocol defines the content of the data (payload) bytes of I²C protocol sent by the master, and the slave device (HMC6343). Note that angular outputs are in tenths of a degree (0-3600 heading, ±0-900 tilt).

After the master device sends the 7-bit slave address, the 1-bit Read/Write, and gets the 1-bit slave device acknowledge bit returned; the next one to three sent data bytes are defined as the input command and argument bytes. To conserve data traffic, all response data (Reads) will be context sensitive to the last command (Write) sent. All write commands shall have the address byte least significant bit cleared (factory default 0x32). These commands then follow with the command byte and command specific binary formatted argument bytes in the general form of:

(Command Byte) (Argument Binary MS Byte) (Argument Binary LS Byte)

The slave (HMC6343) shall provide the acknowledge bits between each data byte per the I²C protocol. Response byte reads are done by sending the address byte (factory default 0x33) with the least significant bit set, and then clocking back response bytes, last command dependant. Table 2 shows the HMC6343 command and response data flow.

Table 2 – HMC6343 Interface Commands/Responses

Command Byte (hex)	Argument 1 Byte (Binary)	Argument 2 Byte (Binary)	Response Bytes (Binary)	Command Description
(0x40)			MSB/LSB Data (6 Bytes)	Post Accel Data. AxMSB, AxLSB, AyMSB, AyLSB, AzMSB, AzLSB
(0x45)			MSB/LSB Data (6 Bytes)	Post Mag Data. MxMSB, MxLSB, MyMSB, MyLSB, MzMSB, MzLSB
(0x50)			MSB/LSB Data (6 Bytes)	Post Heading Data. HeadMSB, HeadLSB, PitchMSB, PitchLSB, RollMSB, RollLSB
(0x55)			MSB/LSB Data (6 Bytes)	Post Tilt Data. PitchMSB, PitchLSB, RollMSB, RollLSB, TempMSB, TempLSB
(0x65)			Post OP Mode 1	Read the current value of OP Mode 1
(0x71)				Enter User Calibration Mode
(0x72)				Level Orientation (X=forward, +Z=up) (default)
(0x73)				Upright Sideways Orientation (X=forward, Y=up)
(0x74)				Upright Flat Front Orientation (Z=forward, -X=up)
(0x75)				Enter Run Mode (from Standby Mode)
(0x76)				Enter Standby Mode (from Run Mode)
(0x7E)				Exit User Calibration Mode
(0x82)				Reset the Processor
(0x83)				Enter Sleep Mode (from Run Mode)
(0x84)				Exit Sleep Mode (to Standby Mode)
(0xE1)	EEPROM Address		Data (1 Byte)	Read from EEPROM
(0xF1)	EEPROM Address	Data		Write to EEPROM

HMC6343

Timing

Upon power application to the HMC6343, wait nominally 500 milli-seconds before sending the first I2C command (typically a 0x32 byte followed by a 0x50 byte for the usual heading/pitch/roll). Depending on the command sent, a delay time should be inserted before clocking out the response bytes (send 0x33, clock back response bytes). The following table indicates the response delay times for various commands.

Table 3 – HMC6343 Command to Response Delay Times

Prior Command (hex)	Commanded Action	Response Bytes & Description	Response/Delay Time (milli-seconds)
Power Applied	VDD1-3 low to high	No Response Data	500 nominally
0x40	Post Accel Data.	6 binary data Bytes. AxMSB, AxLSB, AyMSB, AyLSB, AzMSB, AzLSB	1
0x45	Post Mag Data.	6 binary data Bytes. MxMSB, MxLSB, MyMSB, MyLSB, MzMSB, MzLSB	1
0x50	Post Heading Data.	6 binary data Bytes. HeadMSB, HeadLSB, PitchMSB, PitchLSB, RollMSB, RollLSB	1
0x55	Post Tilt Data.	6 binary data Bytes. PitchMSB, PitchLSB, RollMSB, RollLSB, TempMSB, TempLSB	1
0x65	Post OP Mode 1	OP Mode 1	1
0x71	Enter User Calibration Mode	No Response Data	0.3
0x72	Level Orientation	(X=forward, +Z=up) (default) No Response Data	0.3
0x73	Upright Sideways Orientation	(X=forward, Y=up) No Response Data	0.3
0x74	Upright Flat Front Orientation	(Z=forward, -X=up) No Response Data	0.3
0x75	Enter Run Mode	No Response Data	0.3
0x76	Enter Standby Mode	No Response Data	0.3
0x7E	Exit User Calibration Mode	No Response Data	50
0x82	Reset the Processor	No Response Data	500
0x83	Enter Sleep Mode	No Response Data	1
0x84	Exit Sleep Mode	No Response Data	20
0xE1	Read from EEPROM, RAM	1 binary data Byte	10

HMC6343

0xF1	Write to EEPROM, RAM	No Response Data. Data Settling Time	10
------	----------------------	--------------------------------------	----

Operational Mode Registers

EEPROM registers 0x04 and 0x05 contain bits that are read for operational mode status and for setting the Run Mode measurement rate. The tables below describe the register contents and interpretation. It is recommended that Operational Mode Register 1 and 2 written only to change default orientation and update measurement rate.

Table 4 – Operational Mode Register 1 (EEPROM 0x04)

OM1_7	OM1_6	OM1_5	OM1_4	OM1_3	OM1_2	OM1_1	OM1_0
Comp(0)	Cal(0)	Filter(0)	Run(1)	Stdby(0)	UF(0)	UE(0)	Level(1)

Table 5 – Operational Mode Register 1 Bit Designations

Location	Name	Description
OM1_7	Comp	Calculating compass data if set. (read only)
OM1_6	Cal	Calculating calibration offsets if set. (read only)
OM1_5	Filter	IIR Heading Filter used if set.
OM1_4	Run	Run Mode if set.
OM1_3	Stdby	Standby Mode if set.
OM1_2	UF	Upright Front Orientation if set.
OM1_1	UE	Upright Edge Orientation if set.
OM1_0	Level	Level Orientation if set

Table 6 – Operational Mode Register 2 (EEPROM 0x05)

OM2_7	OM2_6	OM2_5	OM2_4	OM2_3	OM2_2	OM2_1	OM2_0
(0)	(0)	(0)	(0)	(0)	(0)	MR1(0)	MR0(1)

Table 7 – Operational Mode Register 2 Bit Designations

Location	Name	Description
OM2_7 to OM2_2	0	These bits must be cleared for correct operation.
OM2_1 to OM2_0	MR1, MR0	Measurement Rate 0,0 = 1Hz 0,1 = 5Hz (default) 1,0 = 10Hz 1,1 = Not Assigned

HMC6343

User Hard-Iron Calibration

The HMC6343 provides a user calibration routine with the 0x71 command permitting entry into the calibration mode and the 0x7E command to exit the calibration mode.

After entering the calibration mode, rotate the device reasonably steady for 360 degrees about the Y (Left - Right) axis and then 360 degrees about Z (Up - Down) axis. During the first rotation, maintain the Y axis at Level as much as possible. Maintain the Z axis upright as much as possible during the second rotation and until the exit calibration command is issued. The first rotation can also be done by rotating 360 degrees about X (Fore -Aft) axis. Then exit calibration.

The calibration routine collects these readings to correct for hard-iron distortions of the magnetic field. These hard-iron effects are due to magnetized materials nearby the HMC6343 part that in a fixed position with respect to the end user platform. An example would be the magnetized chassis or engine block of a vehicle in which the compass is mounted onto. Upon exiting the calibration mode, the resulting magnetometer offsets are updated.

Example Communication

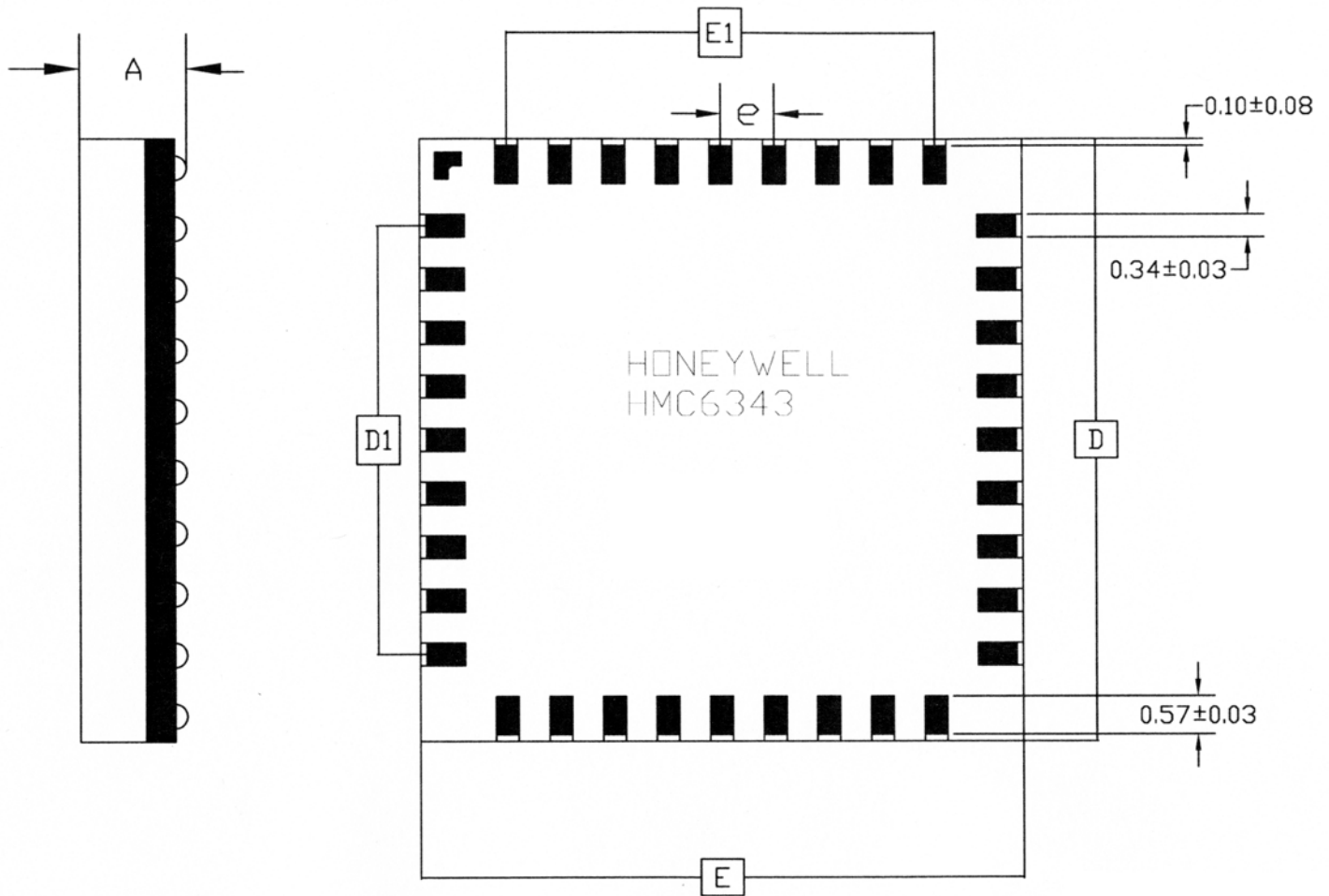
For basic power up and compassing using the defaults, the following order of operations is recommended:

1. Apply power to the VDD pins (nominally +3.3 volts)
2. Wait at least 500 milli-seconds for device initialization. The HMC6343 is in the default Run Mode.
3. Send 0x32 and 0x50 to command the Heading and Tilt Data to be clocked out next.
4. Wait at least 1 milli-second to allow the HMC6343 to process the command.
5. Send 0x33 and clock back six more response Bytes from the HMC6343. These will be the Heading, Pitch and Roll Byte pairs; binary format in tenths of a degree with 2's complement on pitch and roll angles. (0 to 3600 heading, ± 900 pitch, and ± 900 roll)
6. Repeat steps 3 - 5 every 200 milli-seconds or longer to get fresh data from the default 5Hz update rate.

HMC6343

PACKAGE OUTLINES

PACKAGE DRAWING HMC6343 (36-PIN LCC, dimensions in millimeters)



1. ALL DIMENSIONS ARE IN MILLIMETERS.

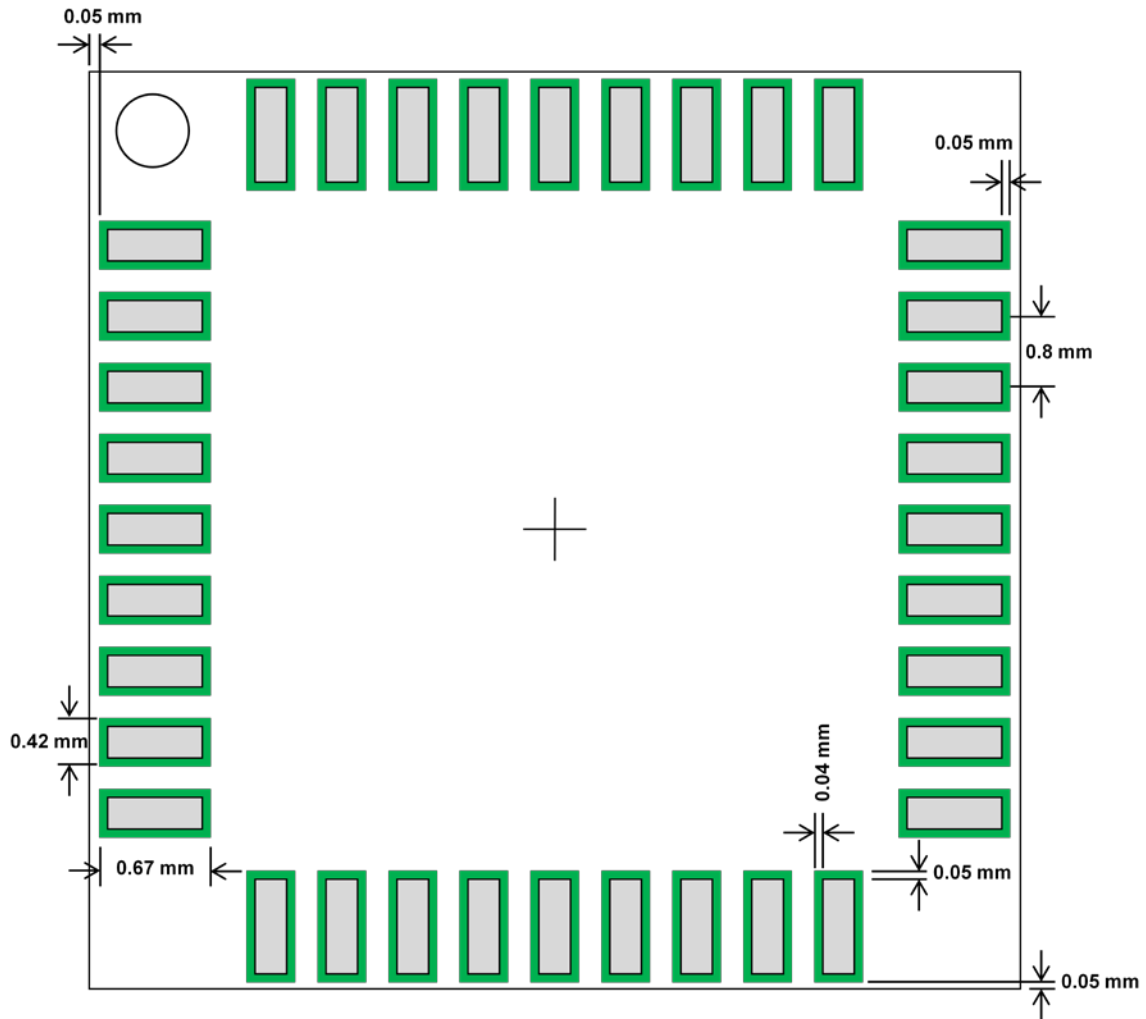
BOTTOM VIEW
(LOOKING THROUGH TOP VIEW)

Dimensions (mm)	Minimum	Nominal	Maximum
A (height)	1.69	1.87	2.05
D	-	9.00 BSC	-
D1	-	6.40 BSC	-
E	-	9.00 BSC	-
E1	-	6.40 BSC	-
e	-	0.8 Basic	-

HMC6343

MOUNTING CONSIDERATIONS

The following is the recommend printed circuit board (PCB) footprint for the HMC6343. All dimensions are nominal and in millimeters.



1. All dimensions shown are for Land Pads only
2. Gray areas show HMC6343 pads relative to the Land Pads

HMC6343

ORDERING INFORMATION

Ordering Number	Product	Packaging
HMC6343	Three-Axis Compass with Algorithms	Tubes
HMC6343-demo	Development Kit	Demo Board, USB Cable and Demo Software
HMC6343-eval	Evaluation Board	Board



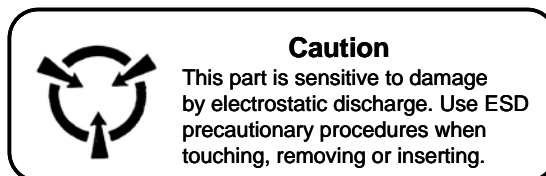
FIND OUT MORE

For more information on Honeywell's Magnetic Sensors visit us online at www.magneticsensors.com or contact us at 800-323-8295.

The application circuits herein constitute typical usage and interface of Honeywell product. Honeywell does not warranty or assume liability of customer-designed circuits derived from this description or depiction.

Honeywell reserves the right to make changes to improve reliability, function or design. Honeywell does not assume any liability arising out of the application or use of any product or circuit described herein; neither does it convey any license under its patent rights nor the rights of others.

U.S. Patents 4,441,072, 4,533,872, 4,569,742, 4,681,812, 4,847,584 and 6,529,114 apply to the technology described



CAUTION: ESDS CAT. 1A

Honeywell
12001 Highway 55
Plymouth, MN 55441
Tel: 800-323-8295
www.magneticsensors.com

Form #900357
May 2014
©2011 Honeywell International Inc.

Honeywell

单击下面可查看定价，库存，交付和生命周期等信息

[>>Honeywell\(霍尼韦尔\)](#)