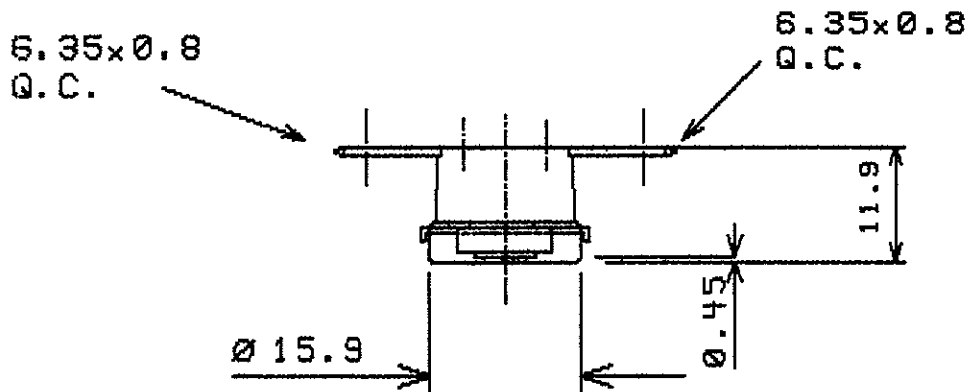
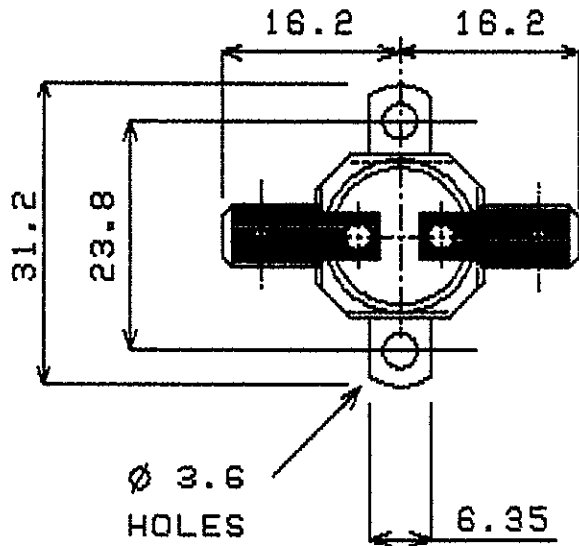


DO NOT SCALE ALL DIMENSIONS ARE FOR REFERENCE ONLY



OPERATING CRITERIA

VOLTS; 240      AMPS; 10      HZ;

OPERATING TEMPS. DEG.C

OPEN; 55      ± 3  
 CLOSE; 70      ± 5

NOTE: ORIENTATION OF BRACKET IS NOT FIXED

CODING REQUIREMENTS

COLOUR; LASER CODE  
 F70C RP 9100 444 XXX

CAP; B200      MAT'L: ALUMINIUM  
 BRK'T; B2036      MAT'L: STEEL  
 ..... PLATING; NICKEL .....  
 TERMINAL; T148      T148  
 MATERIAL; BRASS      BRASS

ISSUE	A	B							
MOD No	3052	3350							
MTH/YR	3/97	7/98							

ELMWOOD DEVICE & UNIQUE PART No. 2455RP-9100-444	ELMWOOD DRG No. 965212	ISSUE B
---	---------------------------	------------



ELMWOOD  
 SENSORS LTD

DATE OF ISSUE STAMP

JUL 1998

单击下面可查看定价，库存，交付和生命周期等信息

[>>Honeywell\(霍尼韦尔\)](#)