

DO NOT SCALE ALL DIMENSIONS ARE FOR REFERENCE ONLY

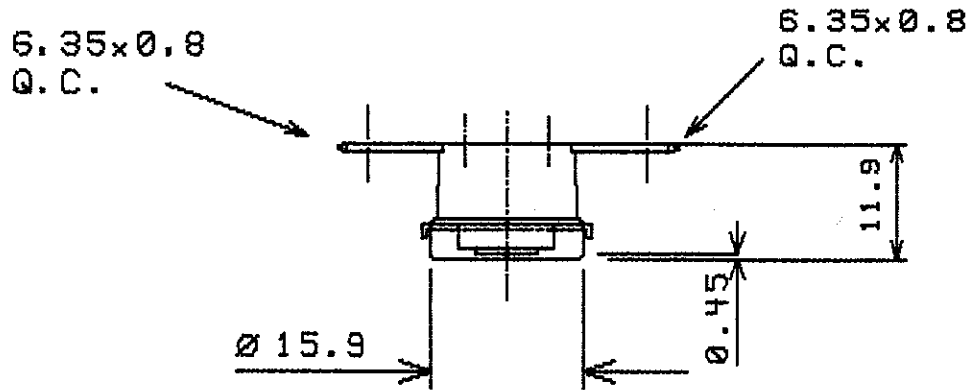
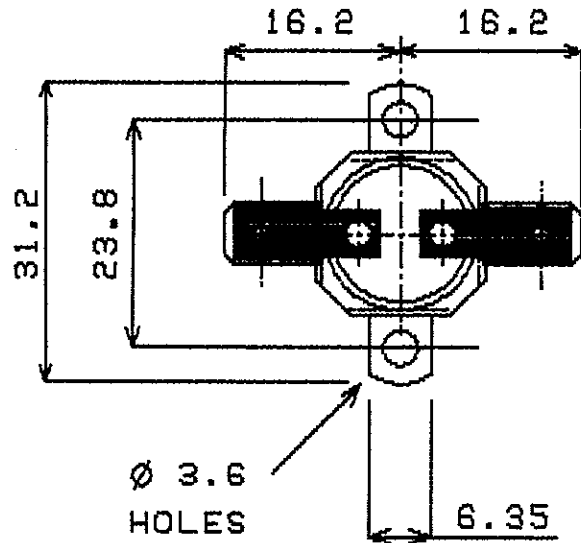
OPERATING CRITERIA

VOLTS: 240 AMPS: 10 HZ:

OPERATING TEMPS. DEG.C

OPEN: 20 ± 3

CLOSE: 10 ± 4



NOTE: ORIENTATION OF BRACKET IS NOT FIXED

ISSUE	A	B							
MOD No	2052	2250							
MTH/YR	3/97	7/98							

CODING REQUIREMENTS

COLOUR: LASER CODE
L20C RP 9100 430 XXX

(XXX = DATE CODING)

CAP: 6200 MAT'L: ALUMINIUM
BRK'T: 62036 MAT'L: STEEL
..... PLATING: NICKEL
TERMINAL: T148 T148
MATERIAL: BRASS BRASS

ELMWOOD DEVICE & UNIQUE PART No.
2455RP-9100-430

ELMWOOD DRG No. ISSUE
965198 B



ELMWOOD
SENSORS LTD

DATE OF ISSUE STAMP

7 JUL 1998

单击下面可查看定价，库存，交付和生命周期等信息

[>>Honeywell\(霍尼韦尔\)](#)