

**MICRO SWITCH**

FREEPORT ILLINOIS U.S.A.  
A DIVISION OF HONEYWELL

FED MFG CODE 91989

**SWITCH - ENCLOSED**

CATALOG LISTING  
**104EN31-8**

M 104EN31-8

DRAWING NUMBER

ISSUE

20

21

22

23

REVISIONS

A CO4435H

WJM  
4 FEB 90

B CO47573

JAP  
7 AUG 90

C CO51246C

CJH  
23 SEP 82

D CO68422

MAM  
6 SEP 90

E CO-73927

JAR  
2 DEC 92

FO-32851-A

DRAWN

WJM

4 FEB 80

CHECK

CEB

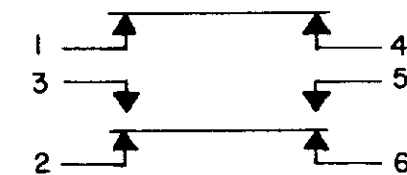
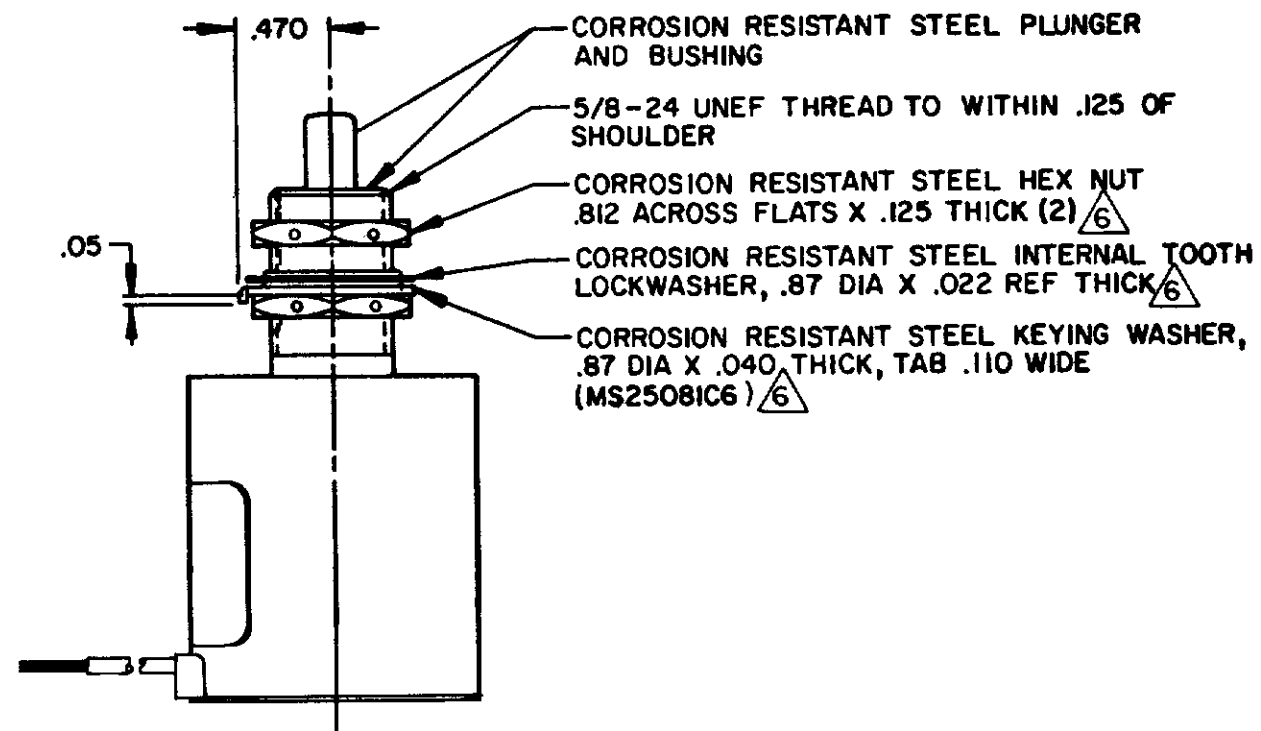
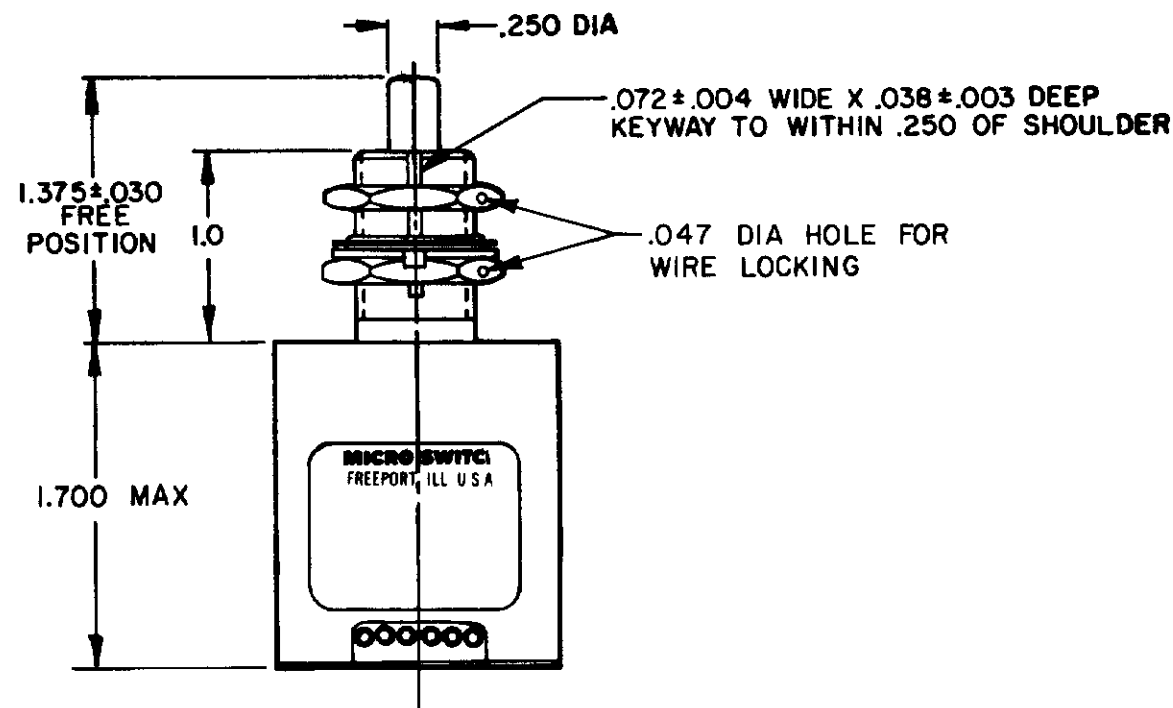
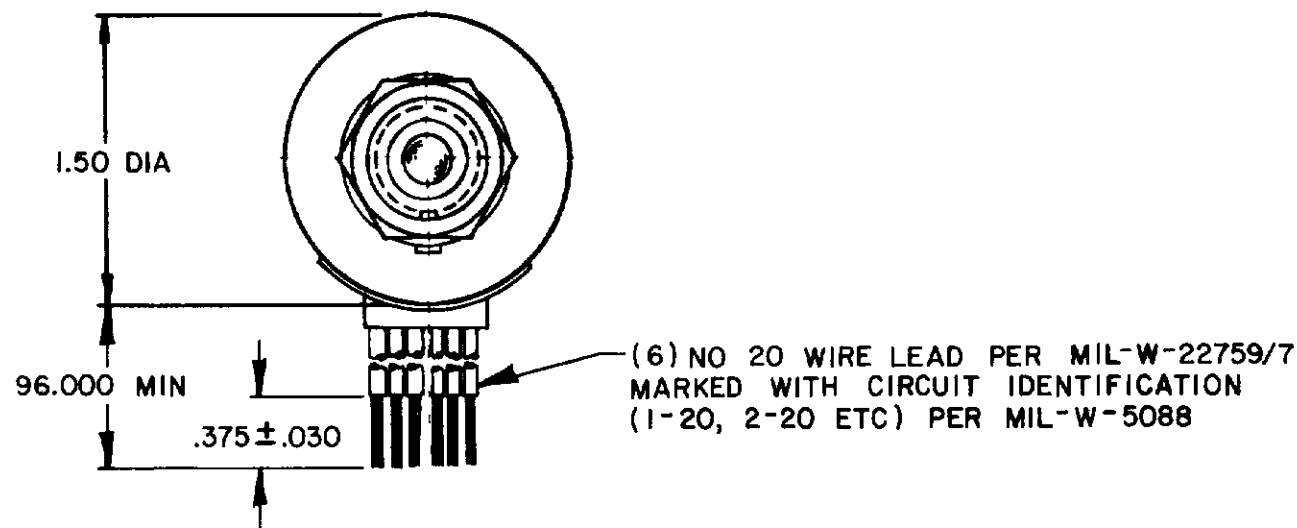
5 FEB 80

CHECK

CEB

REPLACES

RELEASE NO.



CIRCUIT DIAGRAM

NOTES

- 1 - CORROSION RESISTANT STEEL ENCLOSURE
- 2 - SWITCH SEALED PER MIL-S-8805 SYMBOL 4
- 3 - CIRCUIT IDENTIFICATION, CATALOG LISTING, AND DATE CODE ARE SHOWN ON NAMEPLATE
- 4 - COINCIDENCE OF OPERATING AND RELEASING POINTS: .010 OF PLUNGER TRAVEL
- 5 - NOTED ELECTRICAL RATINGS APPLY AS SPECIFIED IN MIL-S-8805/40-4 UP TO 185°F
- 6 - HARDWARE MAY BE PACKAGED UNASSEMBLED PER MIL-S-8805

THIS DRAWING COVERS A PROPRIETARY ITEM AND IS THE PROPERTY OF MICRO SWITCH, A DIVISION OF HONEYWELL. THIS DRAWING IS NOT TO BE COPIED OR USED WITHOUT THE APPROVAL OF MICRO SWITCH

THIRD ANGLE PROJECTION

SCALE FULL

DO NOT SCALE PRINT

TOLERANCES  
APPLY TO DESIGN UNITS. CONVERSIONS ARE ONLY FOR REFERENCE UNLESS NOTED. TOLERANCES ARE 2

NO PLACES	DIM	TOL	DIM	TOL
ONE PLACE	IN	1/100	MM	0.025
TWO PLACES	IN	0.0010	MM	0.0025
THREE PLACES	IN	0.0005	MM	0.00125

DESIGN UNITS  SI METRIC  US CUSTOMARY

RAW MATERIAL - COMMERCIAL STANDARD  
MICRO SWITCH STANDARDS APPLY  
DIMENSIONS ARE TO BE MET BEFORE  
PROTECTIVE COATINGS ARE APPLIED

WEIGHT 13.0 OZ MAX

CHARACTERISTICS	
OPERATING FORCE	6-12 LB
FULL OVERTRAVEL FORCE	30 LB MAX
RELEASE FORCE	5 LB MIN
PRETRAVEL	.070 MAX
DIFFERENTIAL TRAVEL	.045 MAX
OVERTRAVEL	.250 MIN

ELECTRICAL DATA		
CONTACT ARRANGEMENT SEE CIRCUIT DIAGRAM		
28 VDC		
LOAD	SEA LEVEL	50,000 FT.
RES	15	15
IND	10	10
MOTOR	5	
1 AMP		

单击下面可查看定价，库存，交付和生命周期等信息

[>>Honeywell\(霍尼韦尔\)](#)