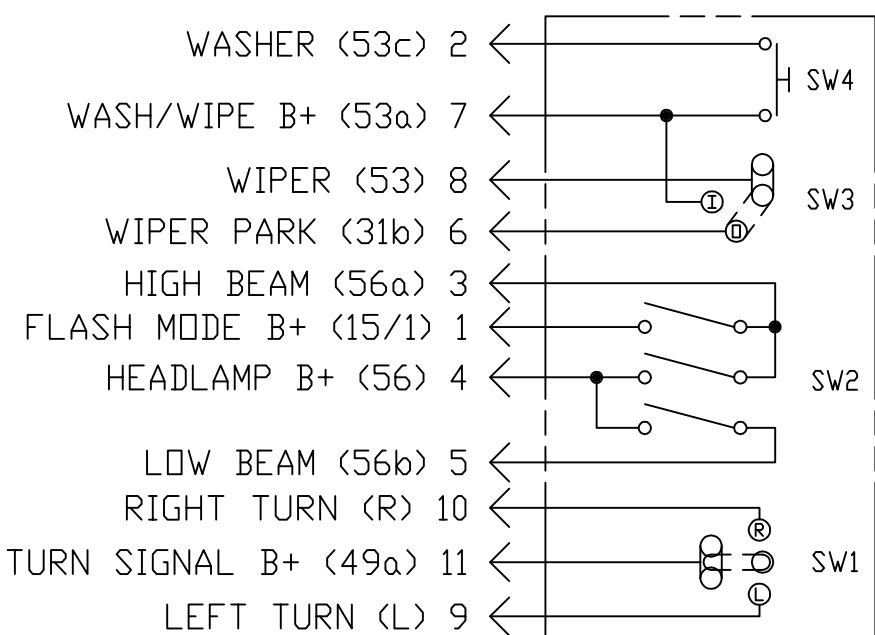
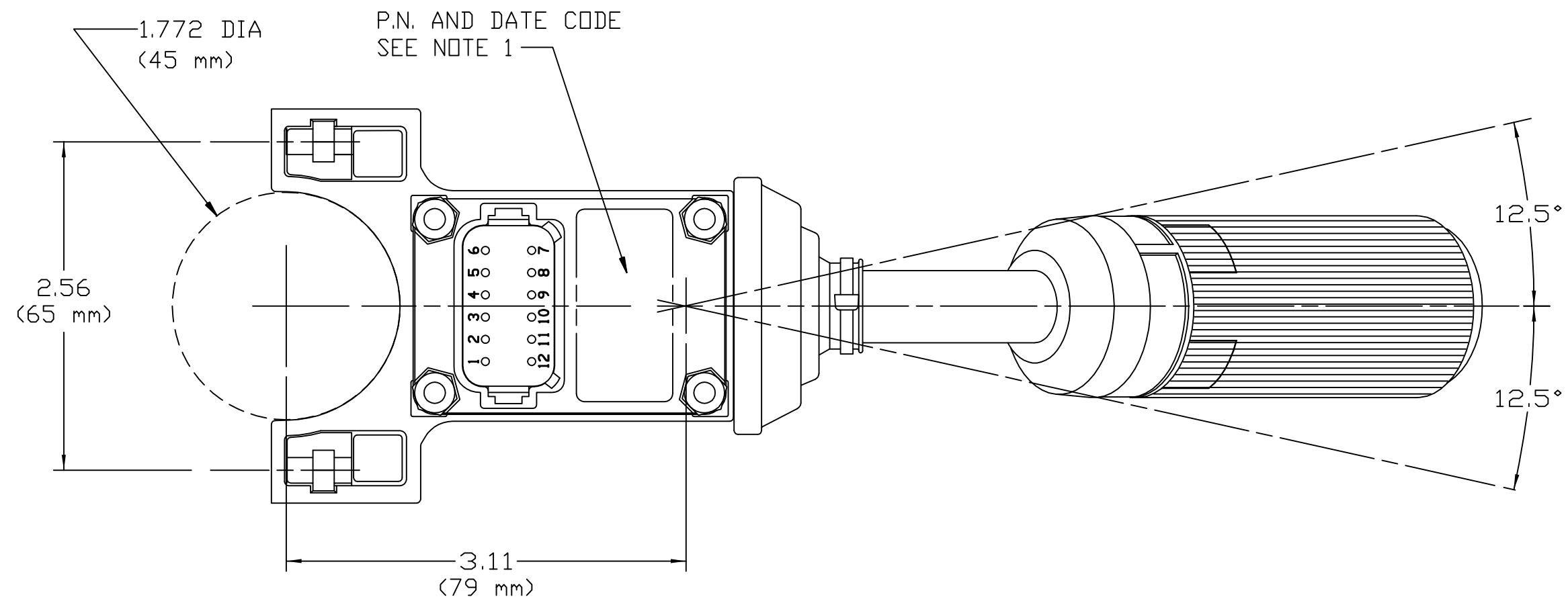


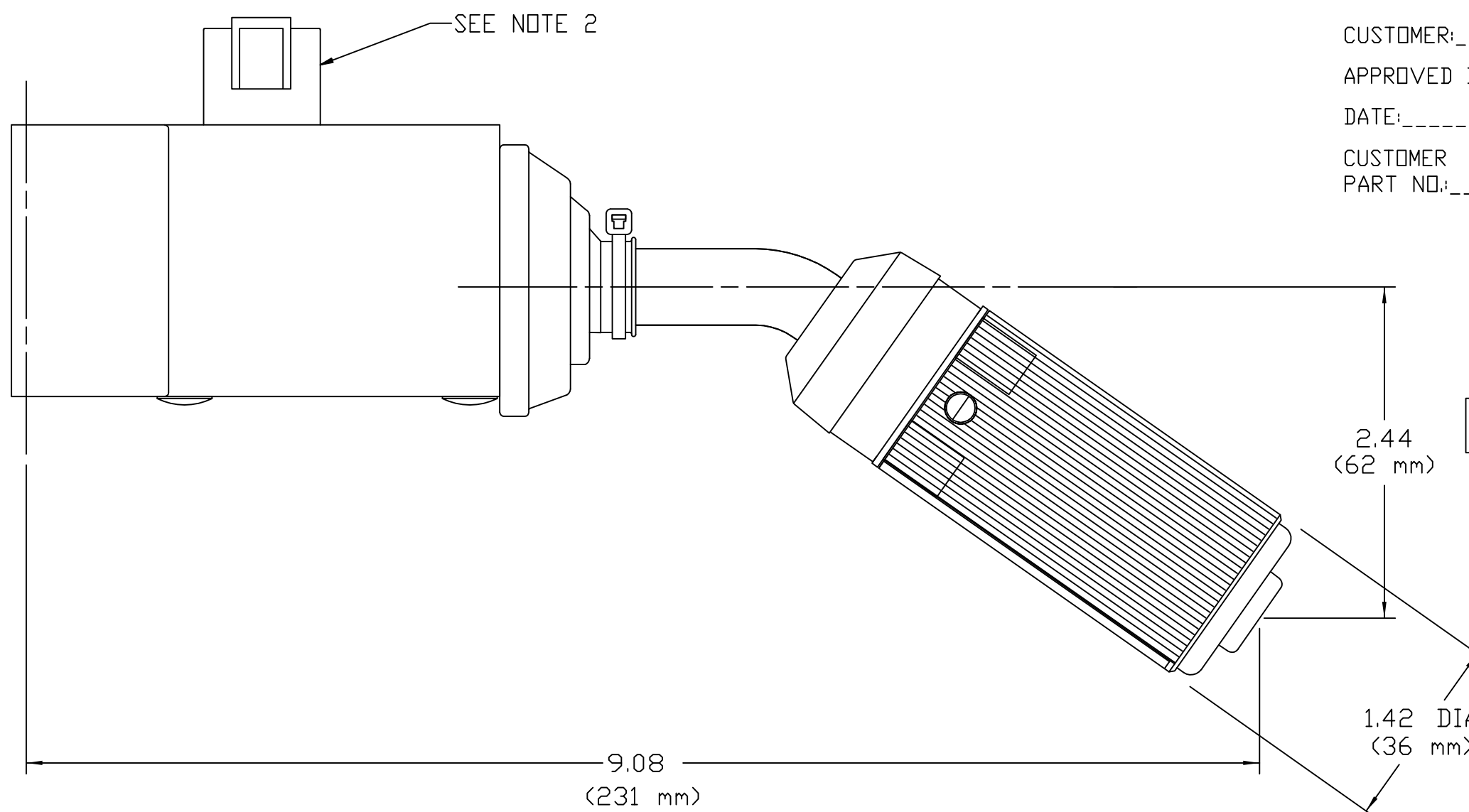
PART NUMBER		81601		REV.	F
SHEET 2 OF 2		M	F		
DESCRIPTION OF CHANGE					
APPD.	REV.	DATE	PCN NO.	BY	
	E	20May03	33582	RF	
REFLECT CHANGE TO SHEET 1					
	F	04May04	0005158	NM	
REFLECT CHANGE TO SHEET 1					



ELECTRICAL SCHEMATIC  
(SHOWN IN NEUTRAL)

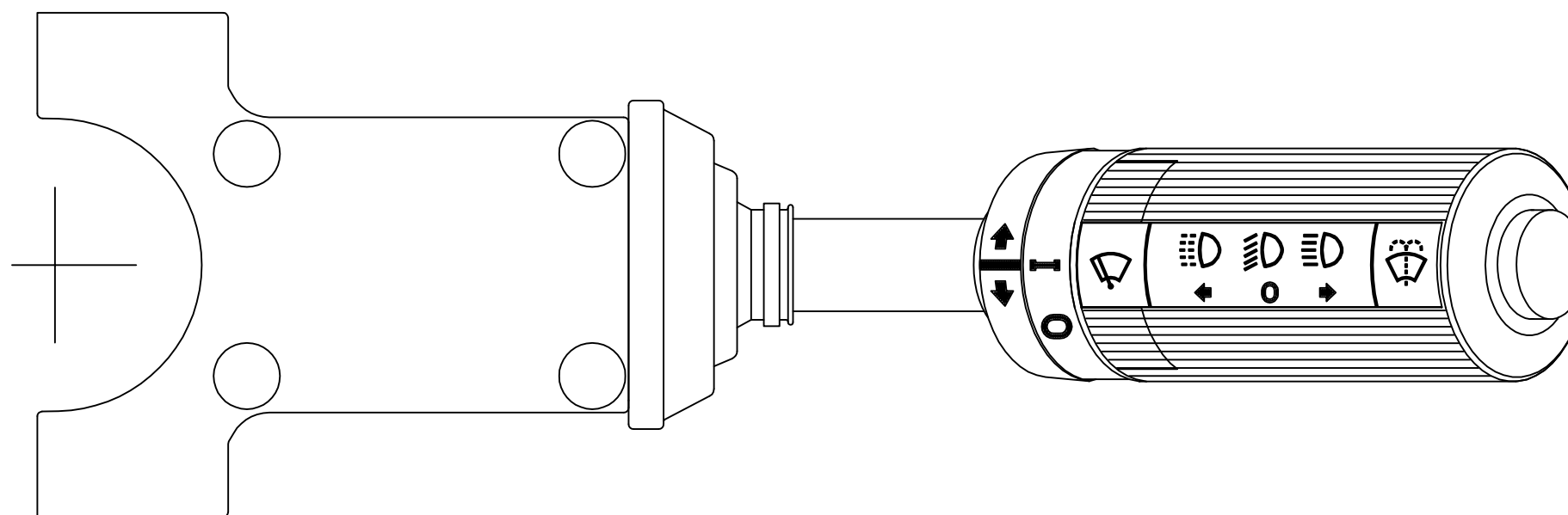
LEGEND

- |     |                        |     |                    |
|-----|------------------------|-----|--------------------|
| L   | LEFT TURN POSITION     | SW3 | WIPER SWITCH       |
| N   | NEUTRAL POSITION       | SW4 | WASHER SWITCH      |
| SW1 | TURN SIGNAL SWITCH     | □   | WIPER OFF POSITION |
| SW2 | HEADLAMP DIMMER SWITCH | I   | WIPER ON POSITION  |



CUSTOMER: \_\_\_\_\_  
 APPROVED BY: \_\_\_\_\_  
 DATE: \_\_\_\_\_  
 CUSTOMER PART NO.: \_\_\_\_\_

PART NUMBER	81601
SHEET 2 OF 2	M



- NOTES:
- CUSTOMER OR HONEYWELL HOBBS P/N, CHANGE NO. AND DATE CODE TO BE STAMPED IN AREA SHOWN.
  - A. MATING CONNECTOR-DEUTSCH DT06-12S  
 B. CONNECTOR TERMINAL-DEUTSCH 1066-16-0122  
 OPTIONAL TERMINAL-DEUTSCH 0462-201-16141  
 C. CONNECTOR WEDGE-DEUTSCH W12S  
 D. SEALING PLUG-DEUTSCH 114017

CUSTOMER PRINT

<b>Honeywell Hobbs</b> SPRINGFIELD, IL U.S.A.			NAME SHIFTER ASSY TURN SIGNAL CONTROL	
DRAWN RF	CHECKED	CONFIDENTIAL AND PROPRIETARY INFORMATION. DIMENSIONS ARE FOR REFERENCE ONLY UNLESS OTHERWISE SPECIFIED.	NEXT ASSY.	
DATE 30Sep02	SCALE 1:1		PART NUMBER 81601	
DO NOT SCALE	DKT. NO.	MATERIAL	FINISH	SHEET 2 OF 2

单击下面可查看定价，库存，交付和生命周期等信息

[>>Honeywell\(霍尼韦尔\)](#)