

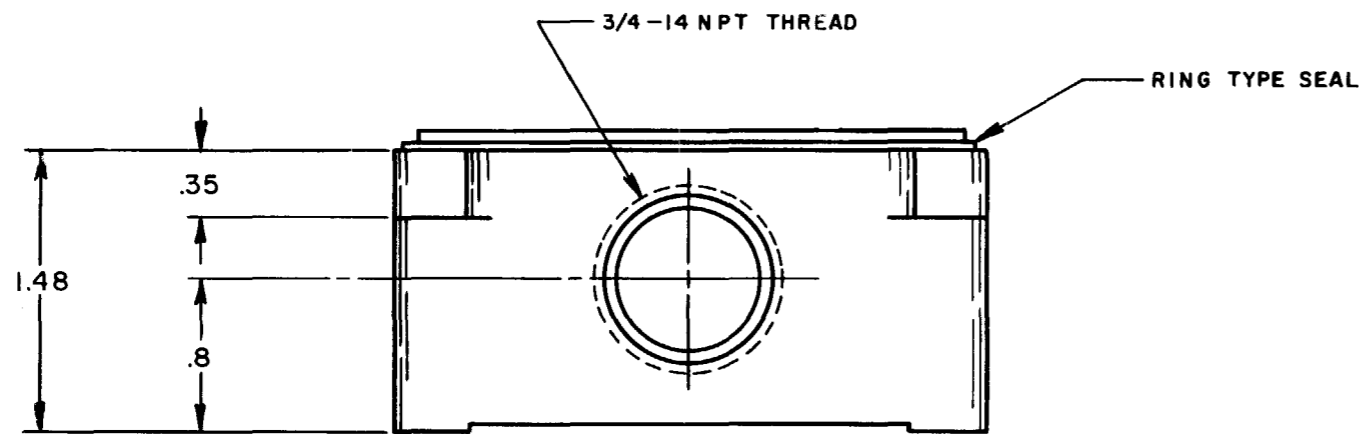
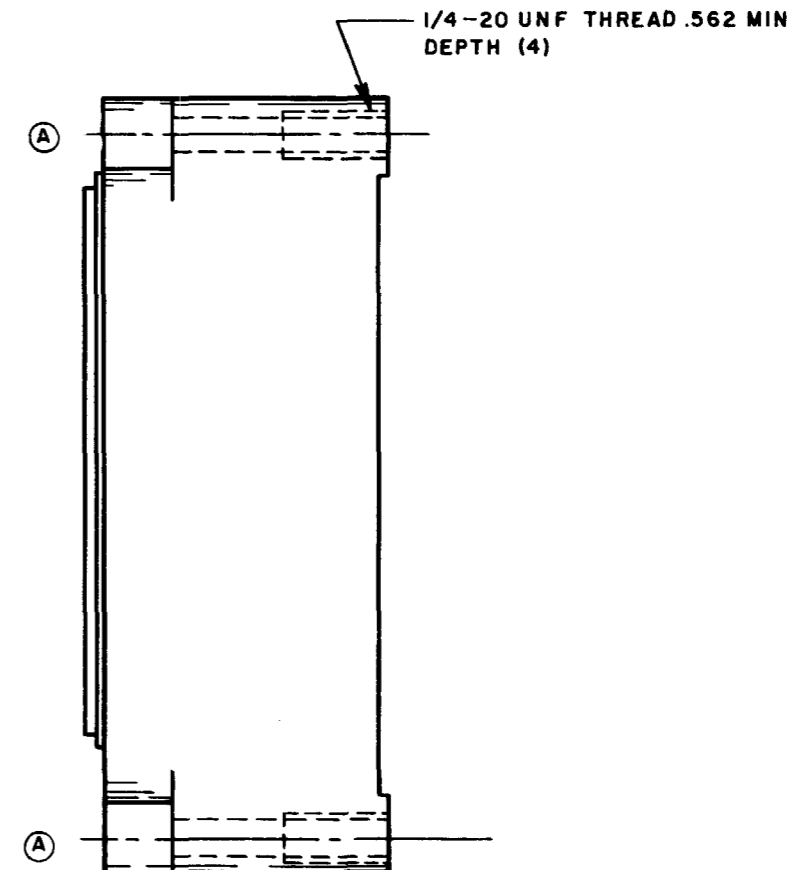
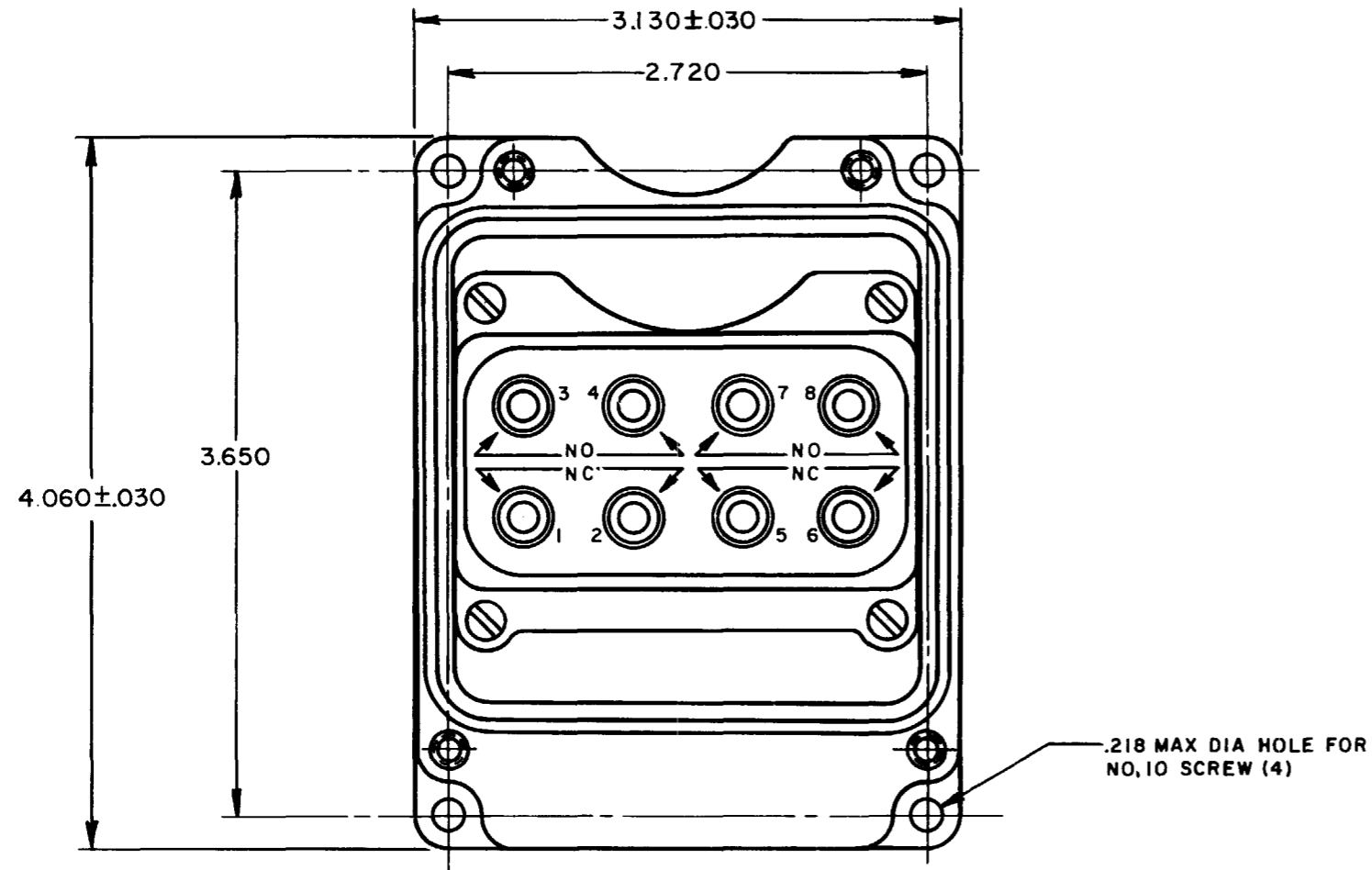
**MICRO SWITCH**

A DIVISION OF MINNEAPOLIS-HONEYWELL REGULATOR COMPANY  
 FREEPORT, ILLINOIS  
 FED. MFR. CODE 91929

**TERMINAL BLOCK-  
ENCLOSED**

CATALOG LISTING  
**18PA3**

FORMTEK DRAWN K A F 6 JUNE 59 CHECK GCH 4 JUNE 59 CHECK JWM 9 JUNE 59 CHECK JAK 10 MAY 95  
 ISSUE X 3  
 DRAWING NUMBER M 18PA3  
 RELEASE NO. SR 8252  
 REPLACES



**NOTE -**

- 1 - ALUMINUM HOUSING FINISHED IN BLUE PAINT
- 2 - TERMINAL BLOCK IS REMOVABLE FOR WIRING, 8-32 NC TERMINAL SCREWS AND LOCKWASHER (SEMS) (8), LUGS INCLUDED FOR TERMINATION WITH STRIPPED BARE WIRE (8)

THIS DRAWING COVERS A PROPRIETARY ITEM AND IS THE PROPERTY OF MICRO SWITCH, A DIVISION OF MINNEAPOLIS-HONEYWELL REGULATOR CO. THIS DRAWING IS NOT TO BE COPIED OR USED WITHOUT THE APPROVAL OF MICRO SWITCH.

CHARACTERISTICS	ELECTRICAL DATA		SCALE - FULL
	CONTACT ARRANGEMENT	BREAK DISTANCE	DO NOT SCALE PRINT
			UNLESS OTHERWISE SPECIFIED DIMENSIONS ARE IN INCHES
			<b>TOLERANCES ARE:</b>
			ONE PLACE (.0) ±.030
			TWO PLACE (.00) ±.015
			THREE PLACE (.000) ±.005
			ANGLES ±
			WEIGHT

单击下面可查看定价，库存，交付和生命周期等信息

[>>Honeywell\(霍尼韦尔\)](#)