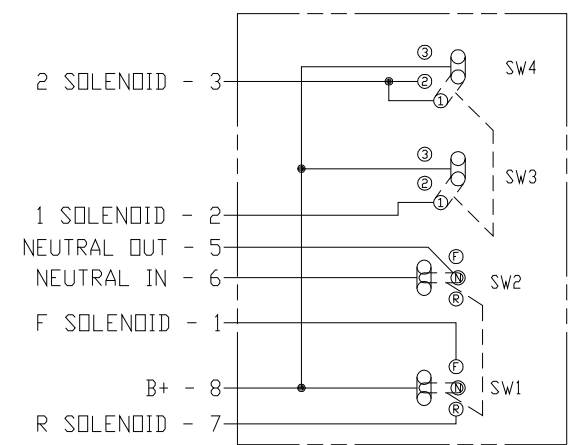
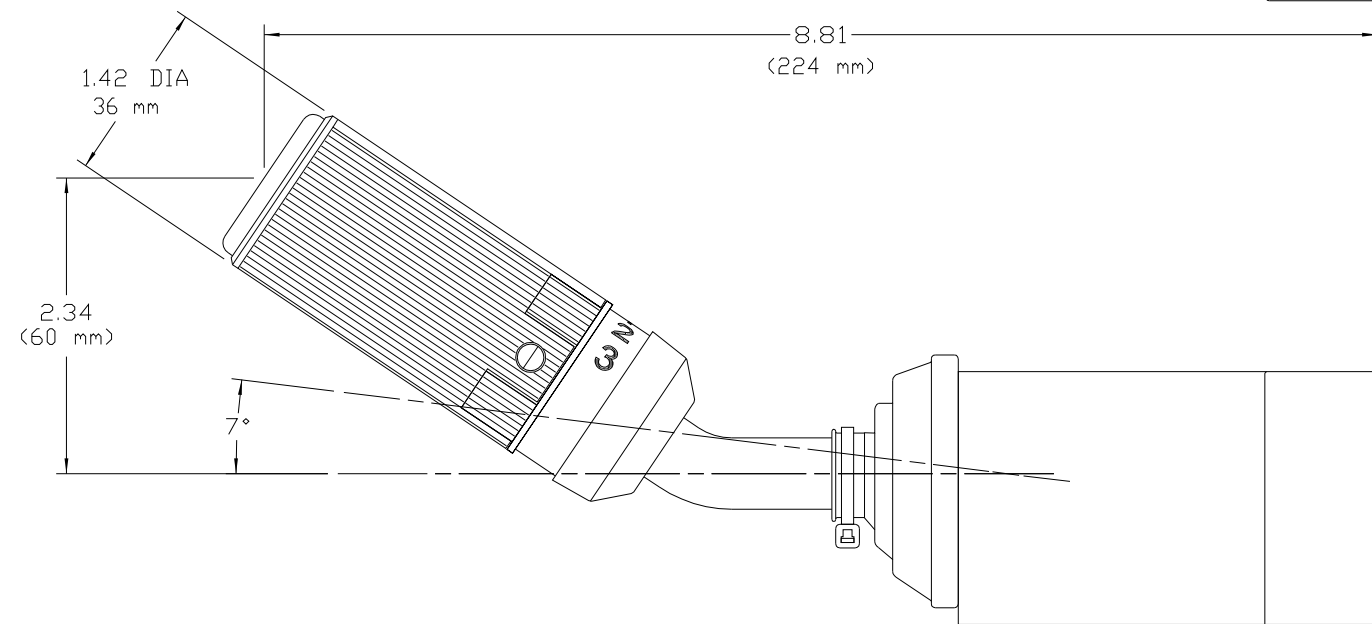
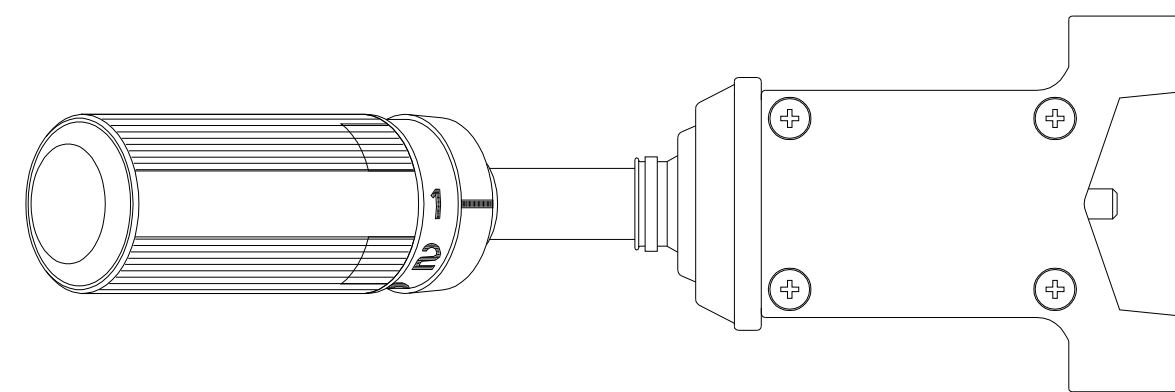


PART NUMBER		81485		REV.		D	
SHEET 2 OF 2		M		D			
DESCRIPTION OF CHANGE							
APPD.	REV.	DATE	PCN NO.	BY			
	D	20May03	33582	RF			
RELEASED FOR PRODUCTION							



ELECTRICAL SCHEMATIC SHOWN IN NEUTRAL

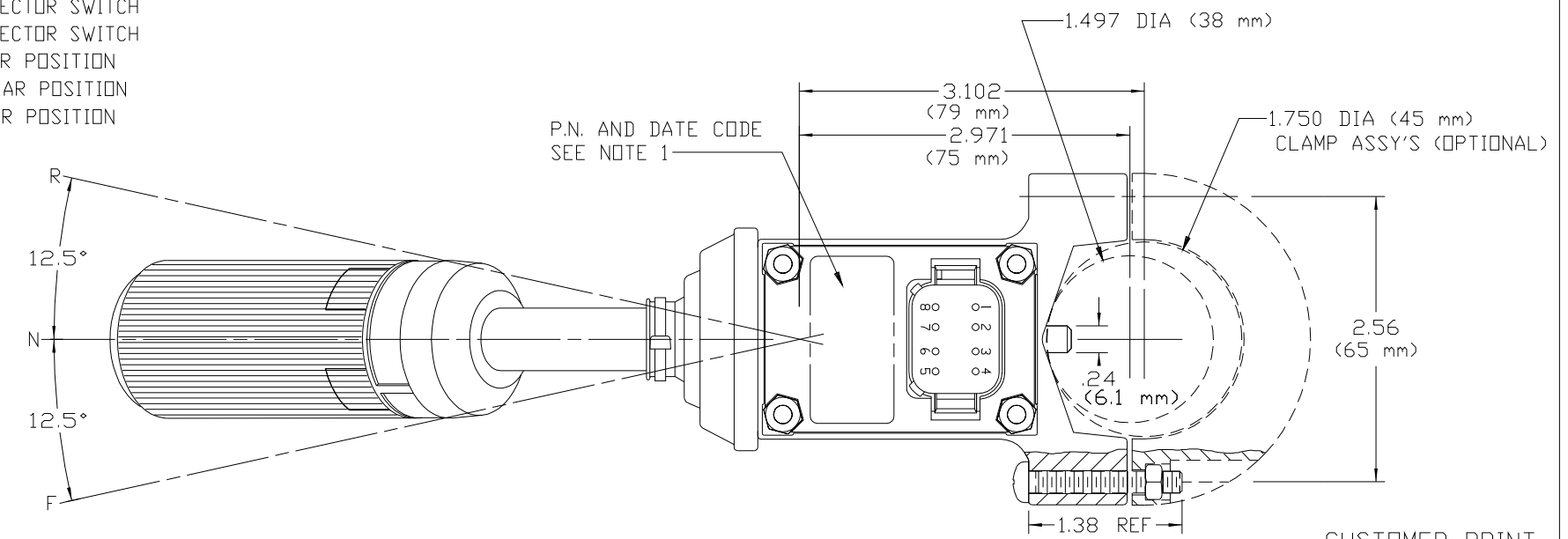
LEGEND

- | | | | |
|-----|---------------------------|-----|-----------------------|
| F | FORWARD POSITION | SW3 | SPEED SELECTOR SWITCH |
| N | NEUTRAL POSITION | SW4 | SPEED SELECTOR SWITCH |
| R | REVERSE POSITION | 1 | FIRST GEAR POSITION |
| SW1 | DIRECTION SELECTOR SWITCH | 2 | SECOND GEAR POSITION |
| SW2 | DIRECTION SELECTOR SWITCH | 3 | THIRD GEAR POSITION |

CUSTOMER: _____
APPROVED BY: _____
DATE: _____
CUSTOMER PART NO.: _____

PART NUMBER	81485
SHEET 2 OF 2	M

SEE NOTE 2



- NOTES:
- CUSTOMER OR HONEYWELL HOBBS P/N, CHANGE NO. AND DATE CODE TO BE STAMPED IN AREA SHOWN.
 - A. MATING CONNECTOR-DEUTSCH DT06-08S
B. CONNECTOR WEDGE-DEUTSCH W8S
C. CONNECTOR TERMINAL-DEUTSCH 1062-16-0122
OPTIONAL TERMINAL-DEUTSCH 0462-201-16141
D. SEALING PLUG-DEUTSCH 114017

Honeywell Hobbs SPRINGFIELD, IL U.S.A.			NAME	
CONFIDENTIAL AND PROPRIETARY INFORMATION. DIMENSIONS ARE FOR REFERENCE ONLY UNLESS OTHERWISE SPECIFIED.			SHIFTER ASSY 3X3 F-N-R SHIFTER	
DRAWN	CHECKED	MATERIAL	FINISH	PART NUMBER
RF				81485
DATE	SCALE	NEXT ASSY.		
25Jan96	1:1			
DO NOT SCALE	DKT. NO.	SHEET 2 OF 2		
		M		

单击下面可查看定价，库存，交付和生命周期等信息

[>>Honeywell\(霍尼韦尔\)](#)