

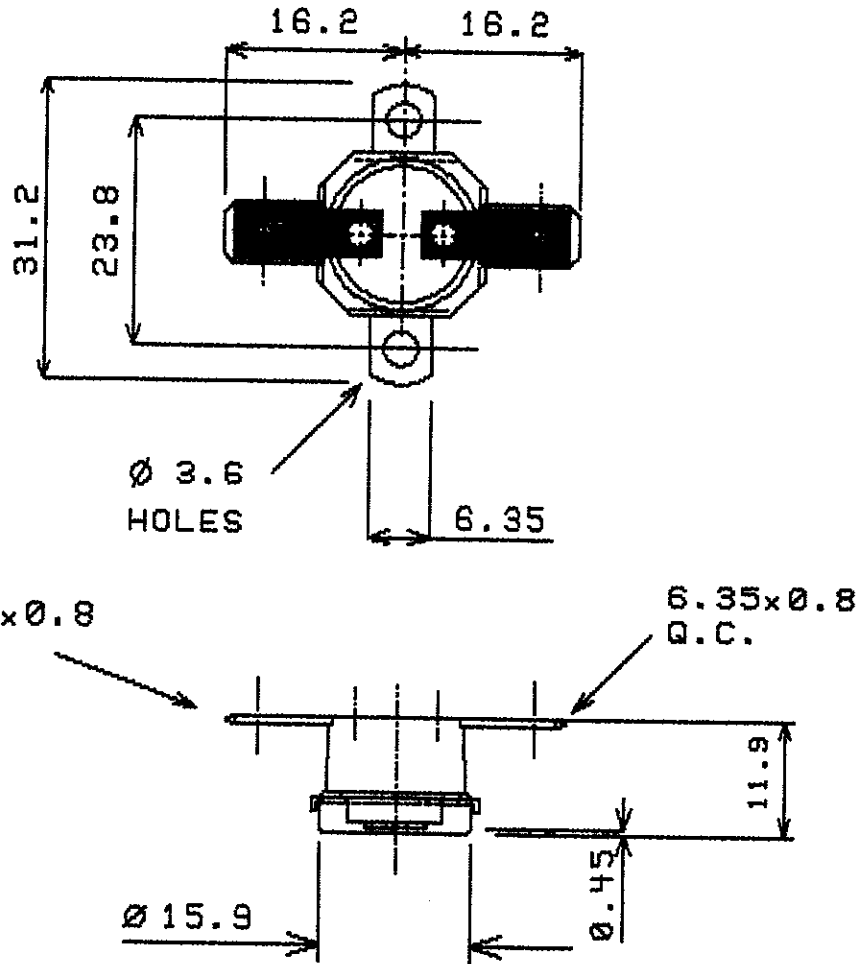
DO NOT SCALE ALL DIMENSIONS ARE FOR REFERENCE ONLY

OPERATING CRITERIA

VOLTS: 240      AMPS: 10      HZ:

OPERATING TEMPS. DEG. C

OPEN: 50      ± 3  
 CLOSE: 35      ± 5



NOTE: ORIENTATION OF BRACKET IS NOT FIXED

ISSUE	A	B							
MOD No	2052	2250							
MTH/YR	3/97	7/98							

CODING REQUIREMENTS

COLOUR: LASER CODE  
 L50C RP 9100 433 XXX

(XXX = DATE CODING)

CAP: B200      MAT'L: ALUMINIUM  
 BRK'T: B2036      MAT'L: STEEL  
 ..... PLATING: NICKEL .....  
 TERMINAL: T148      T148  
 MATERIAL: BRASS      BRASS  
 PLAT.....

ELMWOOD DEVICE & UNIQUE PART No.  
 2455RP-9100-433

ELMWOOD DRG No.  
 965201

ISSUE  
 B



ELMWOOD  
 SENSORS LTD

DATE OF ISSUE STAMP

7 JUL 1998

单击下面可查看定价，库存，交付和生命周期等信息

[>>Honeywell\(霍尼韦尔\)](#)