



## 575SX1A48S102SS

**575 Series Commercial Potentiometer, Conductive Plastic Element, Solder Hook Terminals, 0.5 W Power Rating, 1 kOhm Resistance Value**

*Representative photograph, actual product appearance may vary.*

*Due to regional agency approval requirements, some products may not be available in your area. Please contact your regional Honeywell office regarding your product of choice.*

### Features

- All plastic construction
- Conductive plastic element
- Linear taper
- Solder hook terminals

### Typical Applications

- Manual controls (throttle, joystick)
- Welding and heating
- Telecommunications

### Description

The 574 Series is a low cost potentiometer with the benefits of a conductive plastic element. It is made with a thermoplastic housing and shaft and includes a bracket for vertical PC mounting.

## 575SX1A48S102SS

**575 Series Commercial Potentiometer, Conductive Plastic Element, Solder Hook Terminals, 0.5 W Power Rating, 1 kOhm Resistance Value**

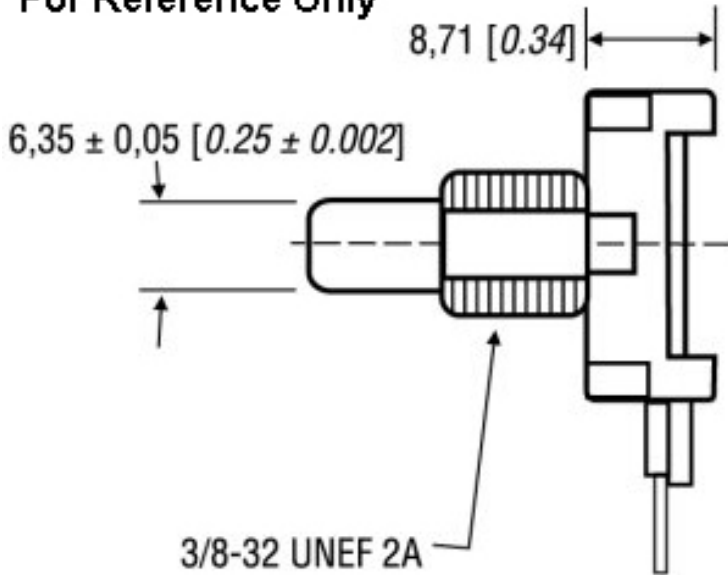
Product Specifications	
Potentiometer Type	Commercial
Element Type	Conductive Plastic
Terminal Type	Solder Hook
Power Rating	0.5 W
Resistance Value	1 kOhm
Resistance Tolerance	± 20 %
Linearity	± 5 %
Bushing Thread	9,53 mm [0.375 in] x 32 NEF-2A
Bushing length	6,35 mm [0.25 in]
Bushing Type	Standard
Shaft Diameter	6,35 mm [0.25 in]
Shaft length	19,05 mm [0.75 in]
Shaft Ending	Slotted
Body	21.08 mm [0.83 in] square, ± 0.79 mm [0.031 in], except at terminal standoff
Electrical Taper	Linear
Operating Temperature	-40 °C to 120 °C [-40 °F to 248 °F]
Working Voltage (Max.)	350 V
Rotational Life	50000 cycles
Mechanical Rotation	300°
Availability	Global
Series Name	575 Series
UNSPSC Code	4111363300
UNSPSC Commodity	4111363300 Potentiometers

# Honeywell

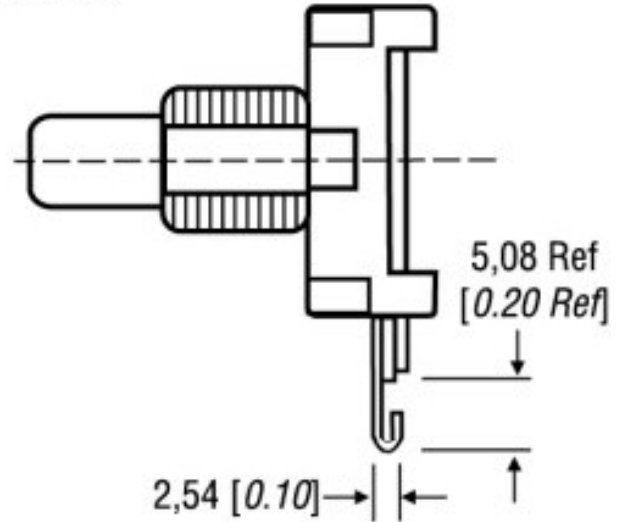
## 575SX1A48S102SS

**575 Series Commercial Potentiometer, Conductive Plastic Element, Solder Hook Terminals, 0.5 W Power Rating, 1 kOhm Resistance Value**

For Reference Only



Solder Hook  
Terminals



# Honeywell

## 575SX1A48S102SS

575 Series Commercial Potentiometer, Conductive Plastic Element, Solder Hook Terminals, 0.5 W Power Rating, 1 kOhm Resistance Value

### **▲ WARNING**

#### **PERSONAL INJURY**

DO NOT USE these products as safety or emergency stop devices, or in any other application where failure of the product could result in personal injury.

**Failure to comply with these instructions could result in death or serious injury.**

### **▲ WARNING**

#### **MISUSE OF DOCUMENTATION**

- The information presented in this product sheet (or catalog) is for reference only. DO NOT USE this document as product installation information.
- Complete installation, operation and maintenance information is provided in the instructions supplied with each product.

**Failure to comply with these instructions could result in death or serious injury.**



单击下面可查看定价，库存，交付和生命周期等信息

[>>Honeywell\(霍尼韦尔\)](#)