

FEATURES

- Input Operating Voltage Range up to 20V
- 1.0 μ A Typical Quiescent Current
- 2% Output Voltage Accuracy
- Stable with 2.2 μ F MLCC
- Output Current up to 250mA
- Short Circuit Protection
- Available in TO-92 and SOT-89 Packages

APPLICATIONS

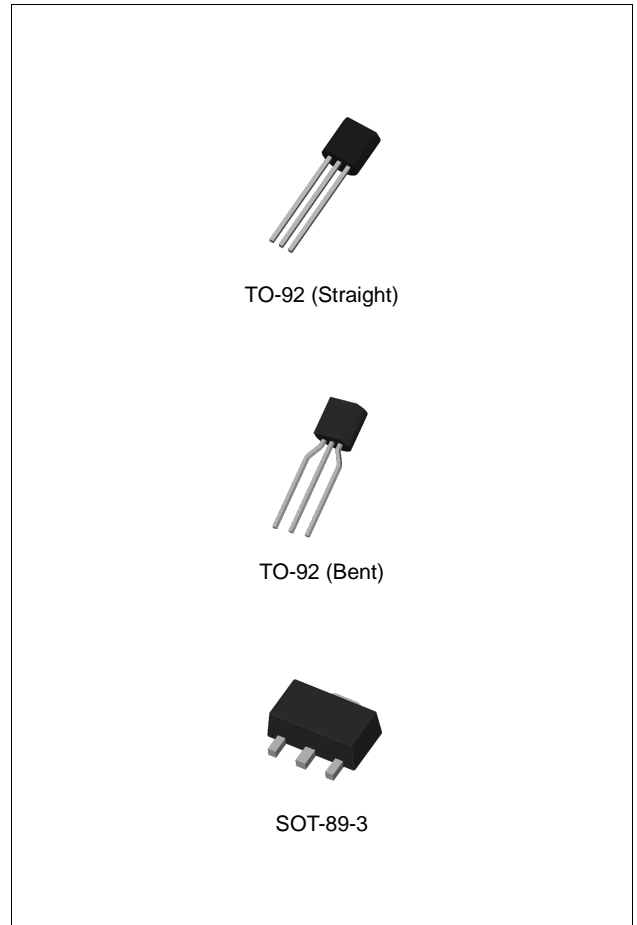
- Battery Powered Equipment
- Battery-Powered Alarm Circuits
- Portable Cameras and Video Recorders
- Microcontroller Power
- PDAs
- Reference Voltage Sources
- Consumer Products

DESCRIPTION

The TJ75xx is family of CMOS low dropout Regulator with high input voltage maximum 20V.

The load current is up to 250mA. The typical quiescent current is only 1 μ A.

The TJ75xx can operate with low cost ceramic capacitors, 2.2 μ F MLCCs.



ORDERING INFORMATION

| Device | Package |
|-----------|------------------|
| TJ75xxG | TO-92 (Straight) |
| TJ75xxGTA | TO-92 (Bent) |
| TJ75xxGF | SOT-89-3L |

xx: Output Voltage

ABSOLUTE MAXIMUM RATINGS ^(Note 1)

| CHARACTERISTIC | SYMBOL | MIN | MAX | UNIT |
|--|-----------|------|-----|------|
| Input Supply Voltage | V_{IN} | -0.3 | 28 | V |
| Operating Junction Temperature | T_J | -40 | 125 | °C |
| Lead Temperature (Soldering, 10 seconds) | T_{SOL} | - | 260 | °C |
| Storage Temperature Range | T_{STG} | -65 | 150 | °C |

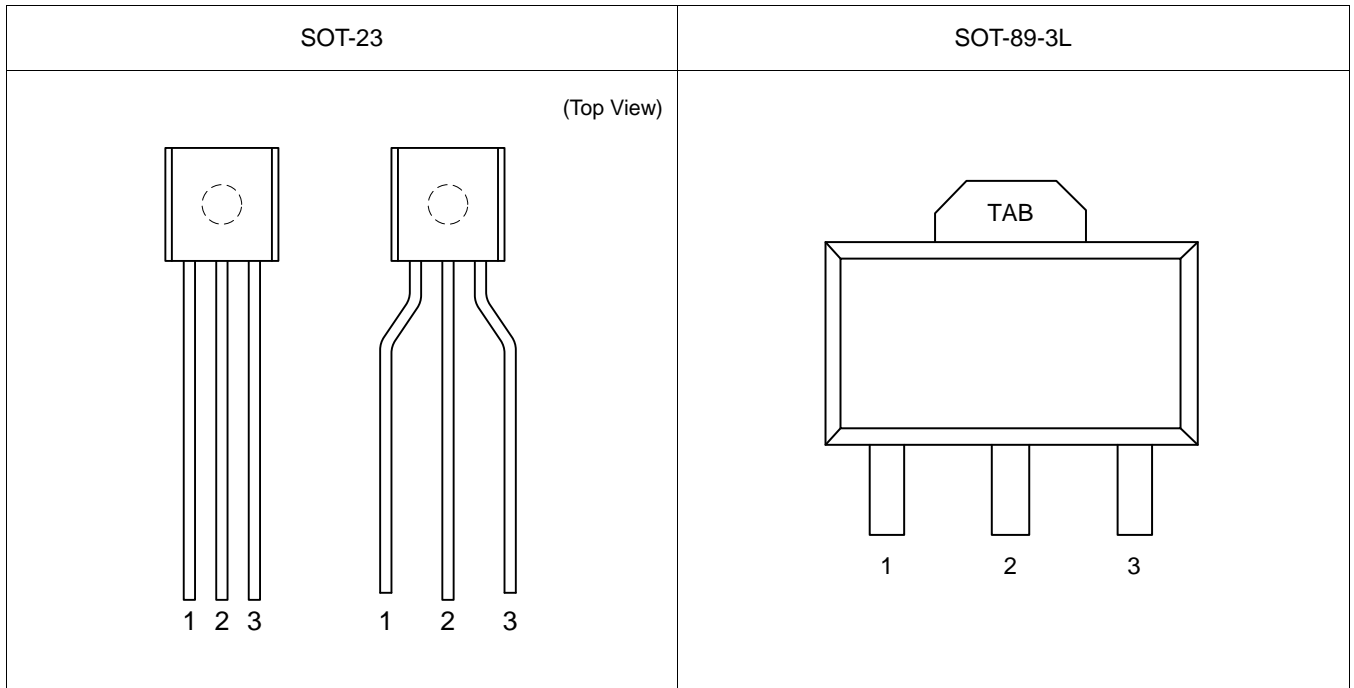
RECOMMENDED OPERATING RATINGS ^(Note 2)

| CHARACTERISTIC | SYMBOL | MIN | MAX | UNIT |
|----------------------|-----------|-----|-----|------|
| Input Supply Voltage | V_{IN} | - | 20 | V |
| Output Current | I_{OUT} | - | 250 | mA |

ORDERING INFORMATION

| VOUT | Package | Order No. | Description | Supplied As | Status |
|------|------------------|-----------|---------------------------------|------------------|------------|
| 3.3V | TO-92 (Straight) | TJ7533G | Straight Lead | Bulk | Contact Us |
| | TO-92 (Bent) | TJ7533GTA | Bend Lead (0.2 In Line Spacing) | Tape & Ammo Pack | Contact Us |
| | SOT-89-3L | TJ7533GF | | Tape & Reel | Active |
| 5.0V | TO-92 (Straight) | TJ7550G | Straight Lead | Bulk | Active |
| | TO-92 (Bent) | TJ7550GTA | Bend Lead (0.2 In Line Spacing) | Tape & Ammo Pack | Contact Us |
| | SOT-89-3L | TJ7550GF | | Tape & Reel | Active |

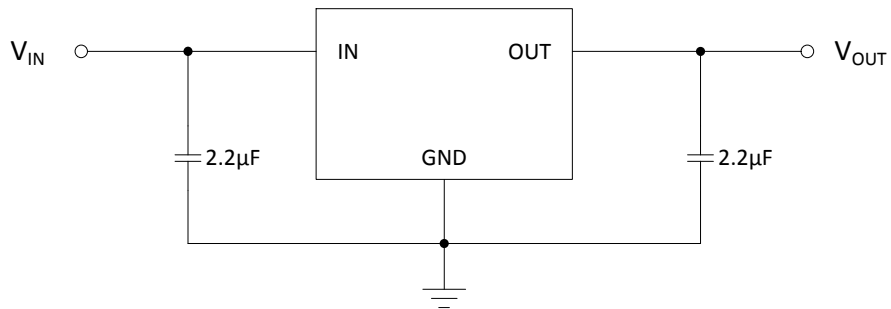
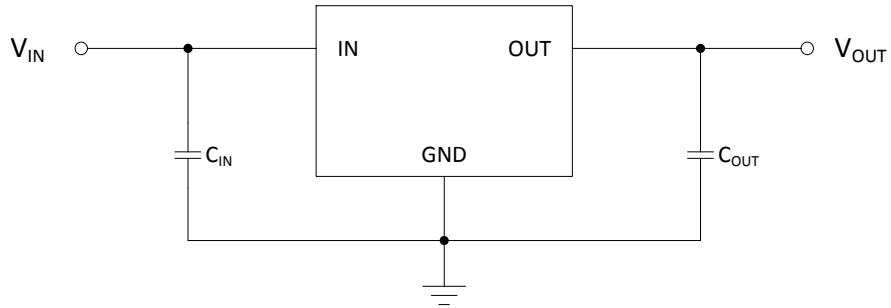
PIN CONFIGURATION



PIN DESCRIPTION

| Pin No. | | Pin Name | Pin Function |
|---------|-----------|----------|--|
| TO-92 | SOT-89-3L | | |
| 1 | 1 | GND | Ground. |
| 2 | 2 | IN | Input Voltage. |
| 3 | 3 | OUT | Output Voltage. |
| - | TAB | TAB | Connect to IN. Put a copper plane connected to this pin as a thermal relief. |

TYPICAL APPLICATION CIRCUIT



ELECTRICAL CHARACTERISTICS

Unless otherwise specified: $T_J = 25^\circ\text{C}$, $V_{IN} = V_{OUT} + 1.0\text{ V}$, $C_{IN} = C_{OUT} = 2.2\ \mu\text{F}$

| PARAMETER | SYMBOL | TEST CONDITIONS | MIN | TYP | MAX | UNIT |
|---------------------------------------|-------------------|---|------|------|-----|-----------------------|
| Output Voltage | V_{OUT} | $I_{OUT} = 1.0\text{ mA}$ | -2.0 | - | 2.0 | % |
| Quiescent Current ^(Note 3) | I_Q | $1.0\text{ mA} \leq I_{OUT} \leq 250\text{ mA}$ | - | 1.0 | 3.0 | μA |
| Line Regulation | ΔV_{LINE} | $V_{OUT} + 1.0\text{ V} \leq V_{IN} \leq 20\text{ V}$, $I_{OUT} = 1.0\text{ mA}$ | - | 0.02 | 0.3 | %/V |
| Load Regulation ^(Note 4) | ΔV_{LOAD} | $1.0\text{ mA} \leq I_{OUT} \leq 250\text{ mA}$ | - | 1.0 | 3.0 | % |
| Dropout Voltage ^(Note 5) | V_{DROP} | $I_{OUT} = 160\text{ mA}$, $V_{OUT} = 5.0\text{ V}$ | - | 400 | 700 | mV |
| Power Supply Ripple Rejection | PSRR | $V_{IN} = 6.0\text{ V}$, $V_{OUT} = 5.0\text{ V}$, $I_{OUT} = 1.0\text{ mA}$, $f = 100\text{ Hz}$ | - | 38 | - | dB |
| OCP Threshold Level | I_{OCP} | | - | 700 | - | mA |
| VOU Temperature Coefficient | $TC_{V_{OUT}}$ | | - | 100 | - | ppm/ $^\circ\text{C}$ |

Note 1. Stresses listed as the absolute maximum ratings may cause permanent damage to the device. These are for stress ratings. Functional operating of the device at these or any other conditions beyond those indicated in the operational sections of the specifications is not implied. Exposure to absolute maximum rating conditions for extended periods may remain possibly to affect device reliability.

Note 2. The device is not guaranteed to function outside its operating ratings.

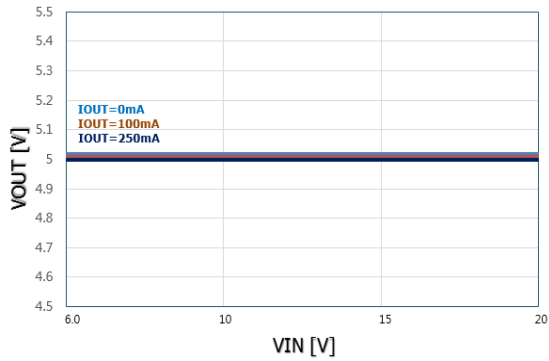
Note 3. Ground current, or quiescent current, is the difference between input and output currents. It's defined by $I_{GND} = I_{IN} - I_{OUT}$ under the given loading condition. The total current drawn from the supply is the sum of the load current plus the ground pin current.

Note 4. Load regulation is measured using pulse techniques with 5% duty cycle.

Note 5. The dropout voltage is defined as the input-to-output differential when the output voltage drops to 98% of its nominal value with V_{OUT} to V_{IN} .

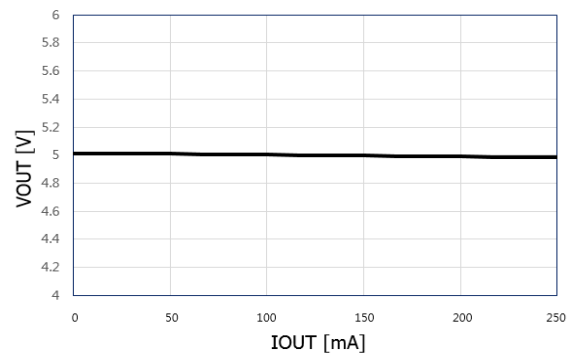
TYPICAL OPERATING CHARACTERISTICS

< VOUT = 5.0V >



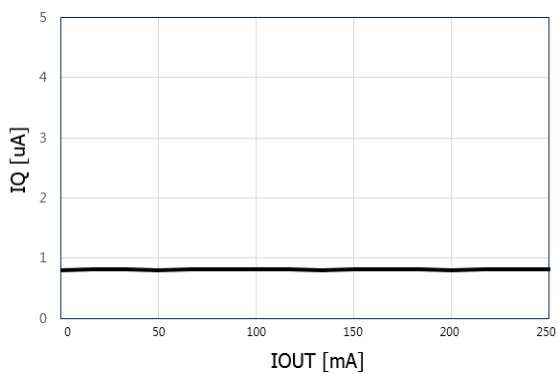
VIN=6.0V to 20V, VOUT=5.0V @ IOUT=0A/100mA/250mA

VIN vs. VOUT



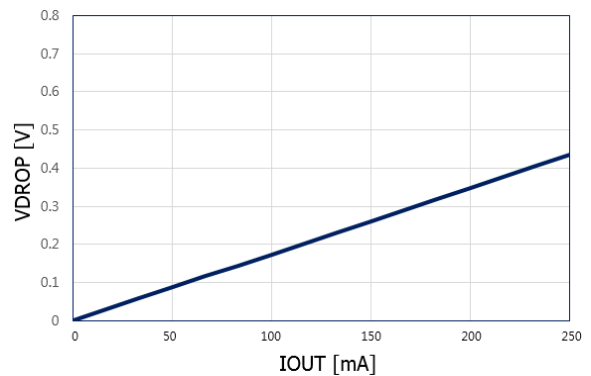
VIN=6.0V, VOUT=5.0V @ IOUT=250mA per 10mA step

IOUT vs. VOUT



VIN=6.0V, VOUT=5.0V @ IOUT=250mA per 10mA step

IOUT vs. IQ



VIN=6.0, VOUT=5.0V @ IOUT=250mA per 10mA step

IOUT vs. VDROP

APPLICATION INFORMATION

MAXIMUM OUPUT CURRENT CAPABILITY

The TJ75xx can deliver a continuous current of 250mA over the full operating junction temperature range. However, the output current is limited by the restriction of power dissipation which differs from packages. A heat sink may be required depending on the maximum power dissipation and maximum ambient temperature of application. With respect to the applied package, the maximum output current of 250mA may be still undeliverable due to the restriction of the power dissipation of TJ75xx. Under all possible conditions, the junction temperature must be within the range specified under operating conditions.

The temperatures over the device are given by:

$$T_C = T_A + P_D \times \theta_{CA}$$

$$T_J = T_C + P_D \times \theta_{JC}$$

$$T_J = T_A + P_D \times \theta_{JA}$$

where T_J is the junction temperature, T_C is the case temperature, T_A is the ambient temperature, P_D is the total power dissipation of the device, θ_{CA} is the thermal resistance of case-to-ambient, θ_{JC} is the thermal resistance of junction-to-case, and θ_{JA} is the thermal resistance of junction to ambient.

The total power dissipation of the device is given by:

$$\begin{aligned} P_D &= P_{IN} - P_{OUT} = (V_{IN} \times I_{IN}) - (V_{OUT} \times I_{OUT}) \\ &= (V_{IN} \times (I_{OUT} + I_{GND})) - (V_{OUT} \times I_{OUT}) = (V_{IN} - V_{OUT}) \times I_{OUT} + V_{IN} \times I_{GND} \end{aligned}$$

where I_{GND} is the operating ground current of the device which is specified at the Electrical Characteristics. The maximum allowable temperature rise (T_{Rmax}) depends on the maximum ambient temperature (T_{Amax}) of the application, and the maximum allowable junction temperature (T_{Jmax}):

$$T_{Rmax} = T_{Jmax} - T_{Amax}$$

The maximum allowable value for junction-to-ambient thermal resistance, θ_{JA} , can be calculated using the formula:

$$\theta_{JA} = T_{Rmax} / P_D$$

TJ75xx is available in TO-92 and SOT-89-3L packages. The thermal resistance depends on amount of copper area or heat sink, and on air flow. If proper cooling solution such as copper plane area, heat sink or air flow is applied, the maximum allowable power dissipation could be increased. However, if the ambient temperature is increased, the allowable power dissipation would be decreased.

REVISION NOTICE

The description in this datasheet is subject to change without any notice to describe its electrical characteristics properly.

单击下面可查看定价，库存，交付和生命周期等信息

[>>HTC\(泰进\)](#)