

## FEATURES

- Programmable Output Voltage to 40V
- Guaranteed 0.5% Reference Voltage Tolerance
- Low (0.2Ω Typ.) Dynamic Output Impedance
- Cathode Current Range (Continuous) – 100 ~ 150 mA
- Equivalent Full Range Temperature Coefficient of 50PPM/°C
- Temperature Compensated For Operation Over Full Rate Operating Temperature Range
- Low Output Noise Voltage
- Fast Turn-on Response
- Available in SOT-23-3L Package

## APPLICATIONS

- Shunt Regulator
- Precision High-Current Series Regulator
- High-Current Shunt Regulator
- Crowbar Circuit
- PWM Converter With Reference
- Voltage Monitor
- Precision Current Limiter

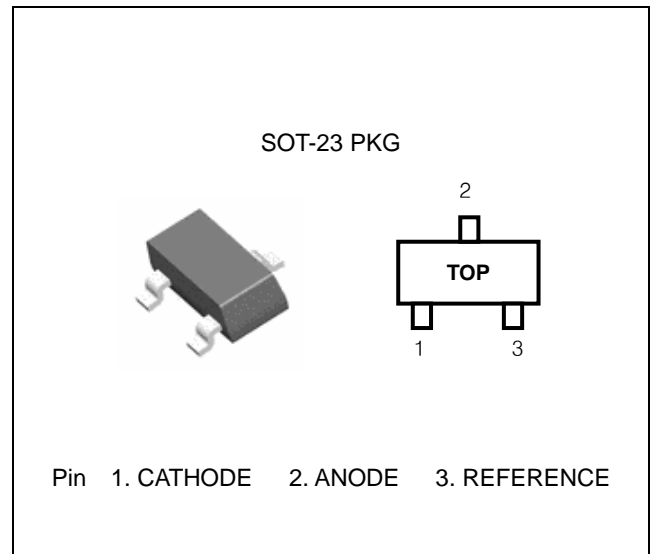
## DESCRIPTION

The LM431 is a three-terminal adjustable shunt regulator with specified thermal stability over applicable temperature  $V_{REF}$  (2.5V) and 40V with two external resistors. This device has a typical dynamic output impedance of 0.2Ω. Active output circuitry provides a very sharp turn-on characteristic, making this device excellent replacement for Zener diodes in many applications. The LM431 is characterized for operation from -40°C to +125°C.

## ABSOLUTE MAXIMUM RATINGS

(Full operating ambient temperature range applies unless otherwise noted.)

PARAMETER	SYMBOL	MIN.	MAX.	UNIT
Cathode Voltage	$V_{KA}$	-	42	V
Cathode Current Range	$I_{KA}$	-100	150	mA
Reference Input Current Range	$I_{REF}$	-0.05	10	mA
Junction Temperature Range	$T_J$	-40	150	°C
Storage Temperature Range	$T_{STG}$	-65	150	°C



## ORDERING INFORMATION

Device	Package
LM431xSF	SOT-23-3L

\* Refer to the ordering information for the details.

# Programmable Precision Shunt Regulator

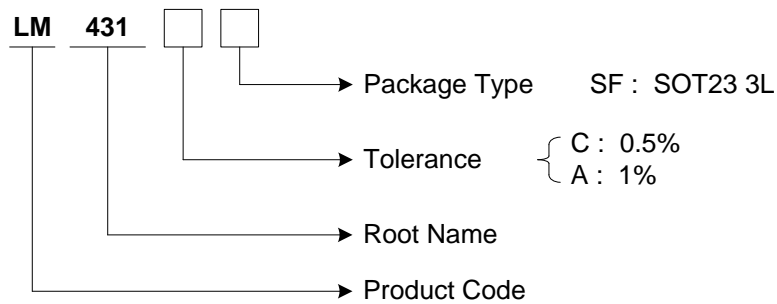
**LM431**

## RECOMMENDED OPERATING CONDITIONS

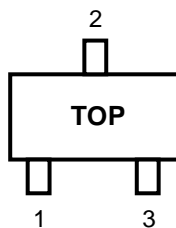
PARAMETER	SYMBOL	MIN.	MAX.	UNIT
Cathode Voltage	$V_{KA}$	$V_{REF}$	40	V
Cathode Current	$I_{KA}$	0.5	100	mA
Operating Temperature Range	$T_{OPR}$	-40	125	°C

## ORDERING INFORMATION

Package	Tolerance	Order No.	Package Marking	Supplied As	Status
SOT-23	0.5%	LM431CSF	431O	Reel	Active
	1 %	LM431ASF	431O	Reel	Active



## PIN CONFIGURATION

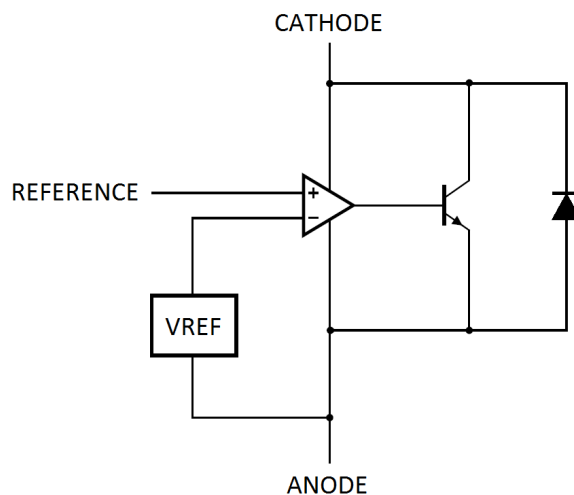


SOT-23 PKG

## PIN DESCRIPTION

Pin No.	Pin Name	Pin Description
1	CATHODE	Input Supply Voltage
2	ANODE	Ground
3	REFERENCE	Reference Voltage

## BLOCK DIAGRAM



## ELECTRICAL CHARACTERISTICS

(T<sub>A</sub>=25°C, unless otherwise specified)

PARAMETER	SYMBOL	TEST CONDITIONS	MIN.	TYP.	MAX.	UNIT	
Reference Input Voltage	V <sub>REF</sub>	V <sub>KA</sub> =V <sub>REF</sub> , I <sub>K</sub> =10mA	LM431C	2.487	2.500	2.512	V
			LM431A	2.475	2.500	2.525	
Deviation of Reference Input Voltage (Note 1)	ΔV <sub>REF</sub> /ΔT	V <sub>KA</sub> = V <sub>REF</sub> , I <sub>K</sub> = 10mA T <sub>A</sub> = Full Range		15	30	mV	
Ratio of Change in Reference Input Voltage to the Change in Cathode Voltage	ΔV <sub>REF</sub> /ΔV <sub>KA</sub>	I <sub>K</sub> = 10mA	ΔV <sub>KA</sub> =10V to V <sub>REF</sub>		-1.4	-2.7	mV/V
			ΔV <sub>KA</sub> =36V to 10V		-1.0	-2.0	
Reference Input Current	I <sub>REF</sub>	I <sub>KA</sub> =10mA, R <sub>1</sub> =10kΩ, R <sub>2</sub> =∞		1.8	4.0	μA	
Deviation of Reference Input Current (Note 1)	ΔI <sub>REF</sub> /ΔT	I <sub>K</sub> = 10mA, R <sub>1</sub> = 10kΩ, R <sub>2</sub> = ∞ T <sub>A</sub> = Full Range		0.4	1.2	μA	
Minimum Cathode Current for Regulation	I <sub>K(MIN)</sub>	V <sub>KA</sub> = V <sub>REF</sub>			0.5	mA	
Off-State Cathode Current	I <sub>K(OFF)</sub>	V <sub>KA</sub> =36V, V <sub>REF</sub> =0		0.17	0.90	μA	
Dynamic Impedance (Note 2)	Z <sub>KA</sub>	V <sub>KA</sub> = V <sub>REF</sub> , I <sub>K</sub> =1mA~100mA f ≤ 1kHz		0.27	0.50	Ω	

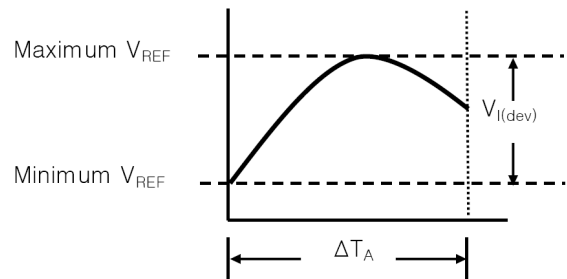
(Note 1) The deviation parameters ΔV<sub>REF</sub>/ΔT<sub>A</sub> and ΔI<sub>REF</sub>/ΔT<sub>A</sub> are defined as the differences between the maximum and minimum values obtained over the recommended temperature range. The average full-range temperature coefficient of the reference voltage, αV<sub>REF</sub>, is defined as:

$$|\alpha V_{REF}| \text{ (ppm/°C)} = \frac{\left( \frac{V_{I(dev)}}{V_{REF \text{ at } 25^\circ\text{C}}} \right) \times 10^6}{\Delta T_A}$$

Where:

ΔT<sub>A</sub> is the recommended operating free-air temperature range of the device.

αV<sub>REF</sub> can be positive or negative, depending on whether minimum V<sub>REF</sub> or maximum V<sub>REF</sub>, respectively, occurs at the lower temperature.

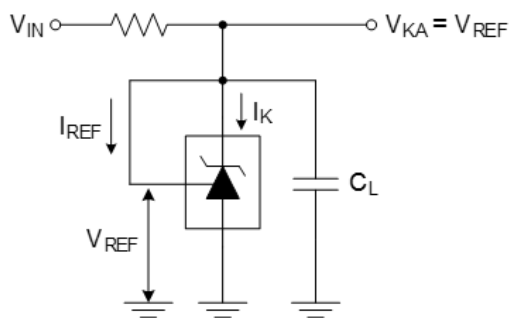


(Note 2) The dynamic impedance is defined as:  $|Z_{KA}| = \frac{\Delta V_{KA}}{\Delta I_{KA}}$

When the device is operating with two external resistors, the total dynamic impedance of the circuit is given by:

$$|Z'| = \frac{\Delta V}{\Delta I} \approx |Z_{KA}| (1 + R_1/R_2)$$

## TEST CIRCUITS



< Fig 1. Test circuit for  $V_{KA} = V_{REF}$  >

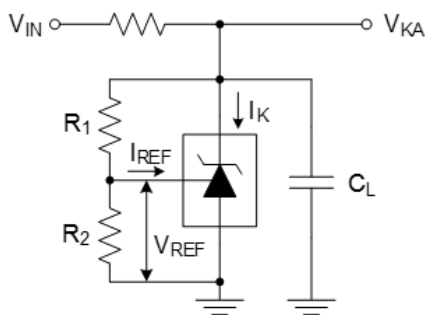
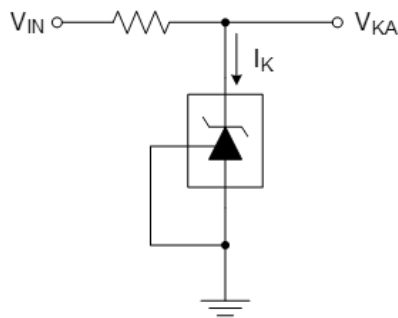
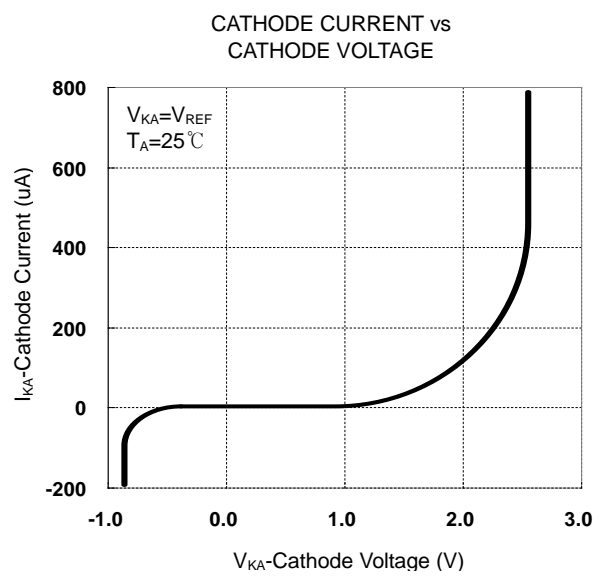
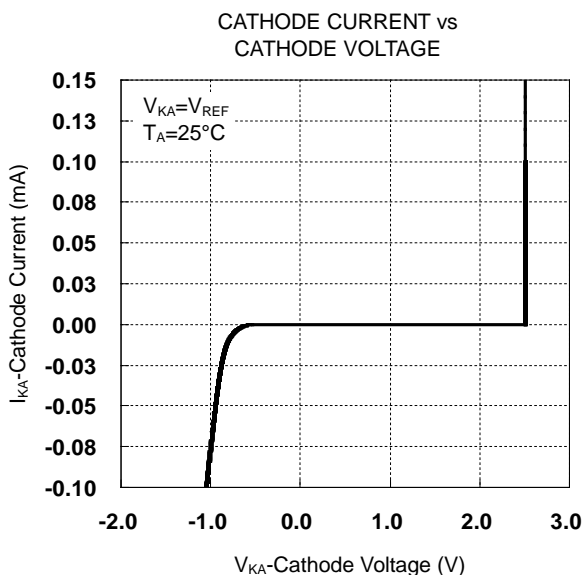
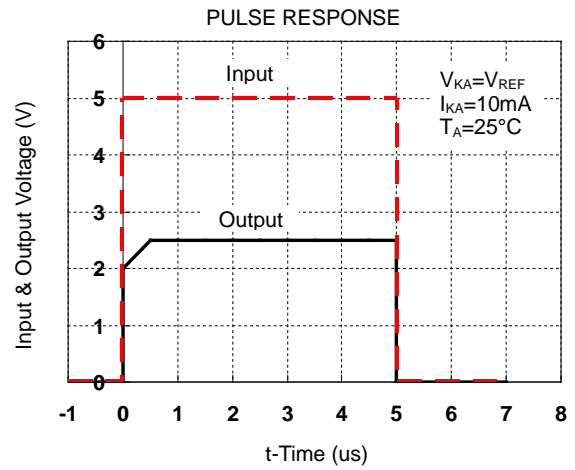
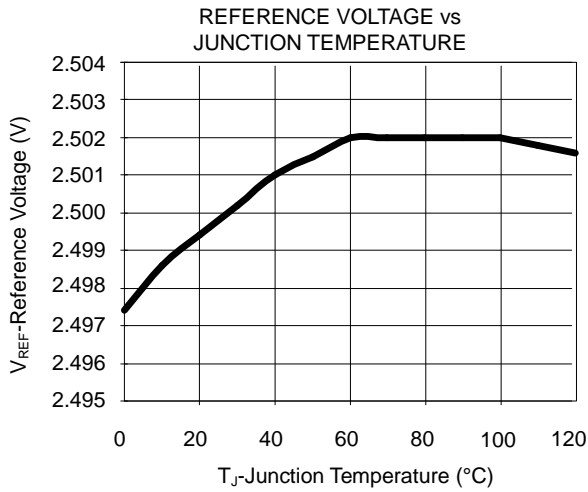


Fig 2. Test circuit for  $V_{KA} \geq V_{REF}$  >



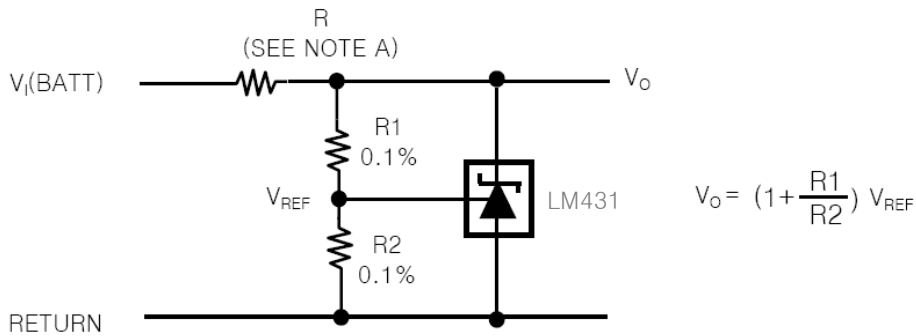
< Fig 3. Test circuit for  $I_{KA(OFF)}$  >

## TYPICAL OPERATING CHARACTERISTICS



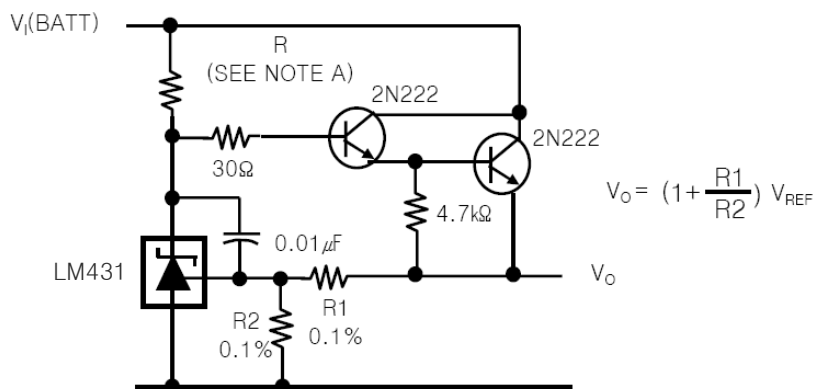
## APPLICATION INFORMATION

### 1. Shunt Regulator



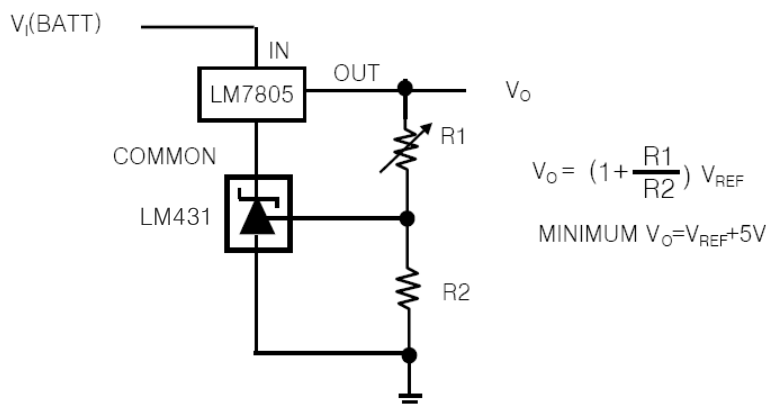
Note: R Should provide cathode current 1mA to the LM431 at minimum  $V_{I(BATT)}$

### 2. Precision High-Current Series Regulator

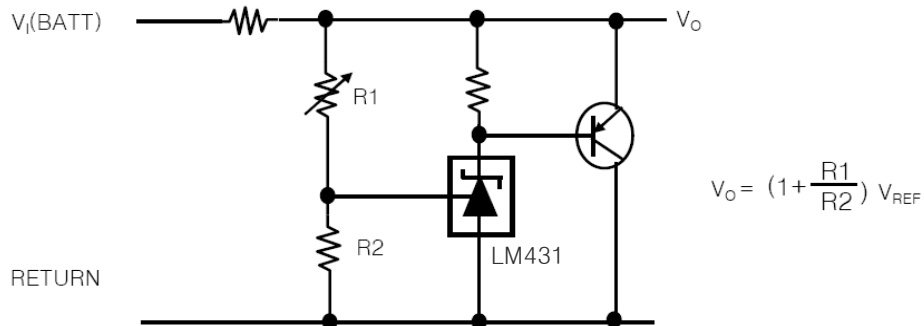


Note: R Should provide cathode current  $\geq 1\text{mA}$  to the LM431 at minimum  $V_{I(BATT)}$

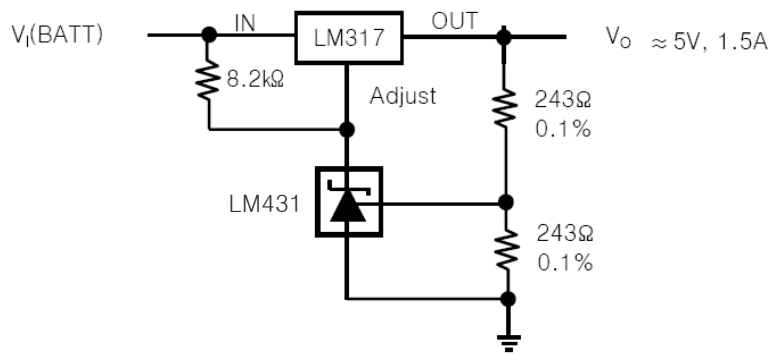
### 3. Output Control of a Three-Terminal Fixed Regulator



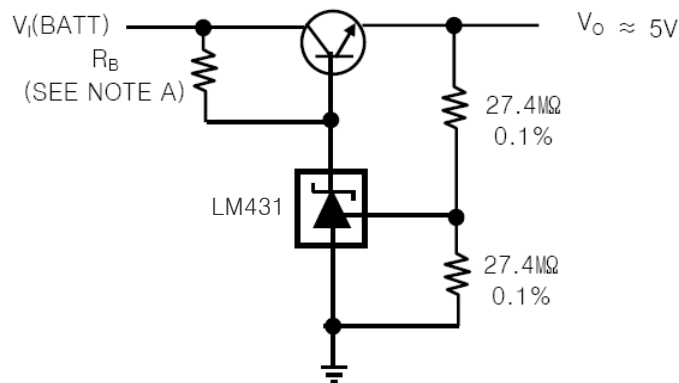
## 4. High-Current Shunt Regulator



## 5. Precision 5-V 1.5A Regulator



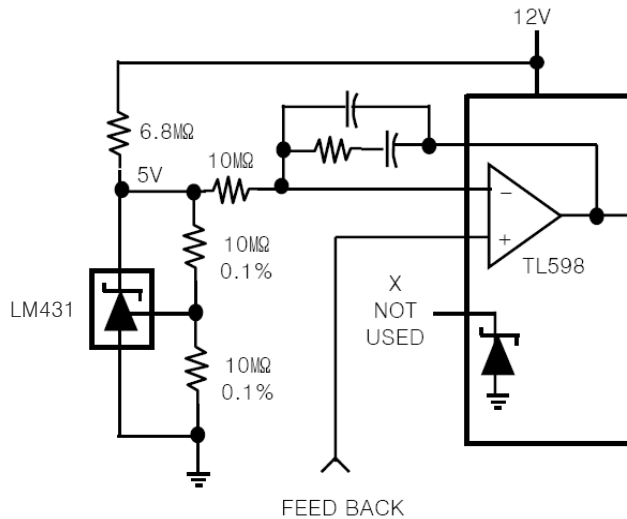
## 6. Efficient 5-V Precision Regulator



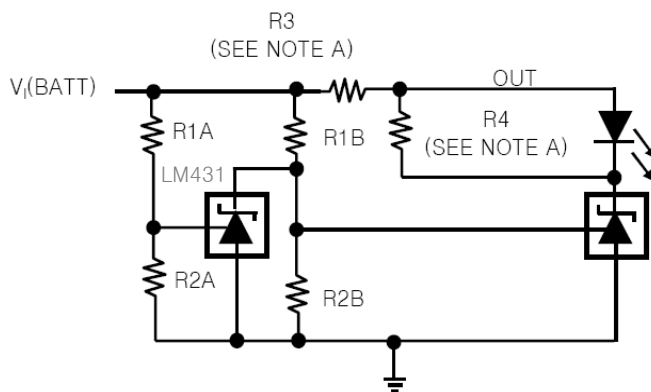
NOTE:  $R_B$  Should provide cathode current  $\geq 1mA$  to the LM431.



## 7. PWM Converter With Reference



## 8. Voltage Monitor



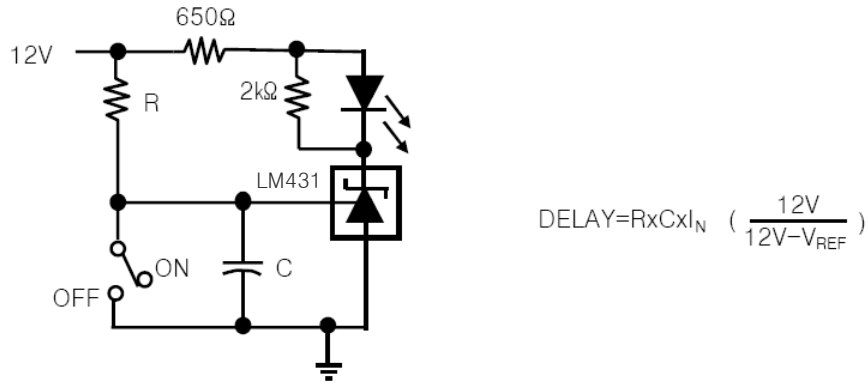
$$\text{LOW LIMIT} = \left(1 + \frac{R1B}{R2B}\right) V_{REF}$$

$$\text{HIGH LIMIT} = \left(1 + \frac{R1A}{R2A}\right) V_{REF}$$

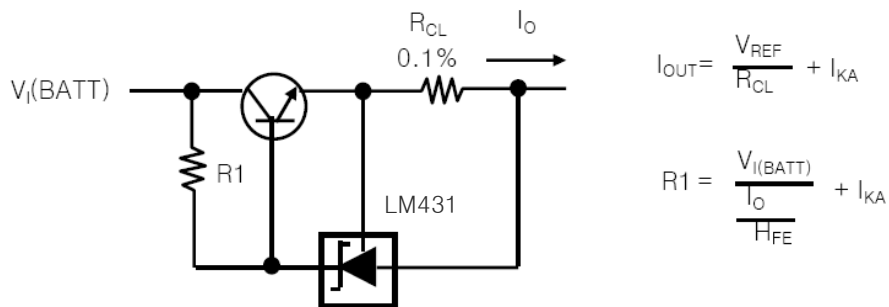
LED ON WHEN  $\text{LOW LIMIT} < V_{I(BATT)} < \text{HIGH LIMIT}$

NOTE: R3 and R4 are selected to provide the desired LED intensity and cathode current  $\geq 1\text{mA}$  to the LM431 at the available  $V_{I(BATT)}$ .

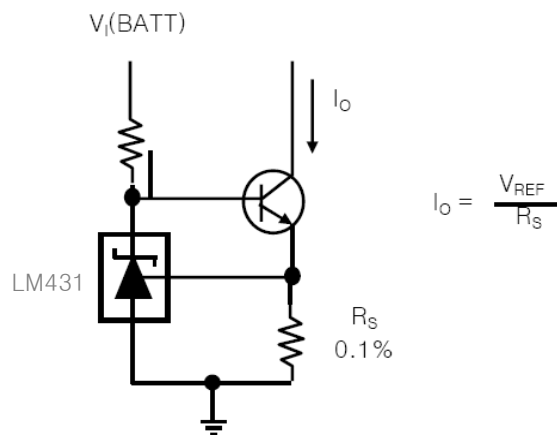
## 9. Delay Timer



## 10. Precision Current Limiter



## 11. Precision Constant-Current Sink



## REVISION NOTICE

The description in this datasheet is subject to change without any notice to describe its electrical characteristics properly.

单击下面可查看定价，库存，交付和生命周期等信息

[>>HTC\(泰进\)](#)