

## FEATURES

- Output Current up to 300mA
- Three Terminal Adjustable (ADJ) or Fixed 1.2V, 1.5V, 1.8V, 2.5V, 3.3V, and 5.0V
- Line Regulation typically at 0.1% typ.
- Load Regulation typically at 0.2% typ.
- Internal Current and Thermal Protection
- Maximum Input Voltage 20V
- Surface Mount Package SOT-23
- Moisture Sensitivity Level 3



## APPLICATIONS

- Active SCSI Terminators
- Portable/ Plan Top/ Notebook Computers
- High Efficiency Linear Regulators
- SMPS Post Regulators
- Mother B/D Clock Supplies
- Disk Drives
- Battery Chargers

## ORDERING INFORMATION

Device	Package
LM1117GSF-ADJ	SOT-23-3L
LM1117GSF-x.x	

x.x: Output Voltage = 1.2V, 1.5V, 1.8V, 2.5V, 3.3V, and 5.0V

## DESCRIPTION

The LM1117GSF is a low power positive-voltage regulator designed to meet 300mA output current. This device is an excellent choice for use in battery-powered applications, as active terminators for the SCSI bus, and portable computers. The LM1117GSF features very low quiescent current and very low dropout voltage of 1.2V at a full load and lower as output current decreases. LM1117GSF is available as an adjustable or fixed 1.2V, 1.5V, 1.8V, 2.5V, 3.3V, and 5.0V output voltages. The LM1117GSF is offered in a 3-pin surface mount package SOT-23. The output capacitor of 10 $\mu$ F or larger is needed for output stability of LM1117GSF as required by most of the other regulator circuits.

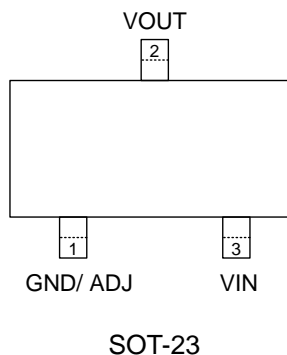
## ABSOLUTE MAXIMUM RATINGS

CHARACTERISTIC	SYMBOL	MIN.	MAX.	UNIT
DC Input Voltage	V <sub>IN</sub>	-	20	V
Lead Temperature (Soldering, 5 seconds)	T <sub>SOL</sub>	-	260	°C
Operating Junction Temperature Range	T <sub>OPR</sub>	-40	125	°C
Storage Temperature Range	T <sub>STG</sub>	-65	150	°C

**ORDERING INFORMATION**

VOUT	Package	Order No.	Supplied As	Status
ADJ	SOT-23-3L	LM1117GSF-ADJ	Tape & Reel	Active
1.2V	SOT-23-3L	LM1117GSF-1.2	Tape & Reel	Contact us
1.5V	SOT-23-3L	LM1117GSF-1.5	Tape & Reel	Contact us
1.8V	SOT-23-3L	LM1117GSF-1.8	Tape & Reel	Contact us
2.5V	SOT-23-3L	LM1117GSF-2.5	Tape & Reel	Active
3.3V	SOT-23-3L	LM1117GSF-3.3	Tape & Reel	Active
5.0V	SOT-23-3L	LM1117GSF-5.0	Tape & Reel	Active

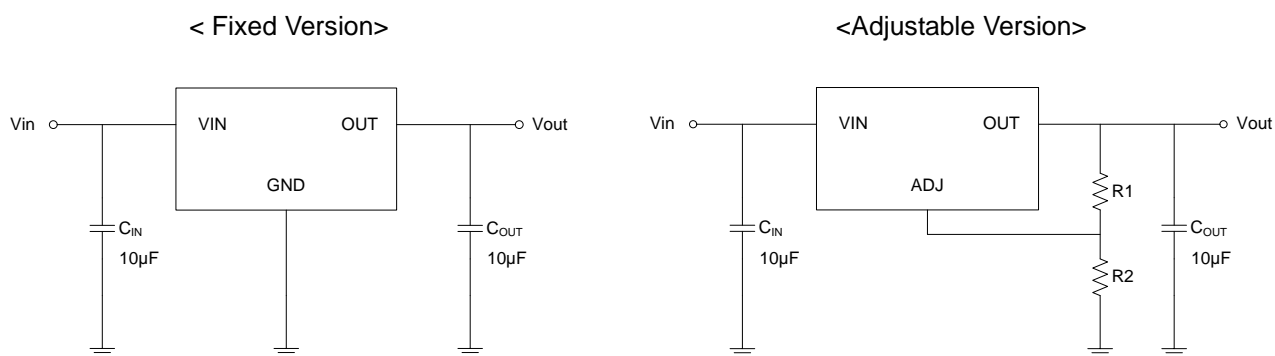
## PIN CONFIGURATION



## PIN DESCRIPTION

Pin No.	Pin Name	Pin Function
1	GND / ADJ	Ground (Fixed Version) or Adjustable
2	VOUT	Output Voltage
3	VIN	Input Voltage

## TYPICAL APPLICATION CIRCUITS



## ELECTRICAL CHARACTERISTICS

## For ADJ Output Voltage

(T<sub>J</sub>=25°C, C<sub>OUT</sub> = 10µF unless otherwise specified)

SYMBOL	PARAMETER	CONDITIONS	MIN.	TYP.	MAX.	UNIT
V <sub>REF</sub>	Reference Voltage	V <sub>IN</sub> =5V, I <sub>O</sub> =10mA	1.238	1.250	1.262	V
V <sub>REF</sub>	Reference Voltage	I <sub>O</sub> = 10mA to 300mA, V <sub>IN</sub> - V <sub>REF</sub> = 1.5V to 13.75V (T <sub>J</sub> = 0 ~ 125°C)	1.219		1.281	V
ΔV <sub>LINE</sub>	Line Regulation	I <sub>O</sub> = 10mA, V <sub>IN</sub> - V <sub>REF</sub> = 1.5V to 12V		0.1	0.2	%
ΔV <sub>LOAD</sub>	Load Regulation	I <sub>O</sub> = 10mA to 300mA, V <sub>IN</sub> - V <sub>REF</sub> = 2 V		0.2	0.4	%
V <sub>IN</sub>	Operating Input Voltage				12	V
I <sub>ADJ</sub>	Adjustment pin Current	V <sub>IN</sub> - V <sub>REF</sub> = 1.5V to 12V, I <sub>O</sub> = 100mA		50	120	µA
ΔI <sub>ADJ</sub>	Adjustment Pin Current Change	V <sub>IN</sub> - V <sub>REF</sub> = 1.5V to 12V, I <sub>O</sub> = 100mA to 300mA		0.5	5	µA
I <sub>O(MIN)</sub>	Minimum Load Current	V <sub>IN</sub> =5V, V <sub>REF</sub> =0V		5	10	mA
I <sub>O</sub>	Current Limit	V <sub>IN</sub> - V <sub>REF</sub> = 5V	1000			mA
eN	Output Noise(%V <sub>O</sub> )	B = 10Hz to 10kHz, T <sub>J</sub> = 25°C		0.003		%
SVR	Supply Voltage Rejection	I <sub>O</sub> = 300mA, f = 120Hz, V <sub>IN</sub> - V <sub>REF</sub> = 3V, V <sub>RIPPLE</sub> = 1V <sub>PP</sub>	60	75		dB

## For 1.2V Output Voltage

(T<sub>J</sub>=25°C, C<sub>OUT</sub> = 10µF unless otherwise specified)

SYMBOL	PARAMETER	CONDITIONS	MIN.	TYP.	MAX.	UNIT
V <sub>O</sub>	Output Voltage	V <sub>IN</sub> = 2.7V, I <sub>O</sub> = 10mA	1.176	1.200	1.224	V
V <sub>O</sub>	Output Voltage	V <sub>IN</sub> = 2.7V to 12V, I <sub>O</sub> = 0A to 300mA (T <sub>J</sub> = 0 ~ 125°C)	1.152		1.248	V
ΔV <sub>LINE</sub>	Line Regulation	I <sub>O</sub> = 0mA, V <sub>IN</sub> = 2.7V to 12V		0.1	0.2	%
ΔV <sub>LOAD</sub>	Load Regulation	I <sub>O</sub> = 10mA to 300mA, V <sub>IN</sub> = 3.2V		0.2	0.4	%
V <sub>IN</sub>	Operating Input Voltage				12	V
I <sub>D</sub>	Quiescent Current	V <sub>IN</sub> - V <sub>O</sub> = 5V		5	10	mA
I <sub>O</sub>	Current Limit	V <sub>IN</sub> - V <sub>O</sub> = 5V	1000			mA
eN	Output Noise(%V <sub>O</sub> )	B = 10Hz to 10kHz, T <sub>J</sub> = 25°C		0.003		%
SVR	Supply Voltage Rejection	I <sub>O</sub> = 300mA, f = 120Hz, V <sub>IN</sub> - V <sub>O</sub> = 1.5V, V <sub>RIPPLE</sub> = 1V <sub>PP</sub>	60	75		dB

## For 1.5V Output Voltage

(T<sub>J</sub>=25°C, C<sub>OUT</sub> = 10μF unless otherwise specified)

SYMBOL	PARAMETER	CONDITIONS	MIN.	TYP.	MAX.	UNIT
V <sub>O</sub>	Output Voltage	V <sub>IN</sub> = 3.0V, I <sub>O</sub> = 10mA	1.485	1.5	1.515	V
V <sub>O</sub>	Output Voltage	V <sub>IN</sub> = 3.0V to 12V, I <sub>O</sub> = 0A to 300mA (T <sub>J</sub> = 0 ~ 125°C)	1.470		1.530	V
ΔV <sub>LINE</sub>	Line Regulation	I <sub>O</sub> = 0mA, V <sub>IN</sub> = 3.0V to 12V		0.1	0.2	%
ΔV <sub>LOAD</sub>	Load Regulation	I <sub>O</sub> = 0mA to 300mA, V <sub>IN</sub> = 3.5 V		0.2	0.4	%
V <sub>IN</sub>	Operating Input Voltage				12	V
I <sub>D</sub>	Quiescent Current	V <sub>IN</sub> - V <sub>O</sub> = 5V		5	10	mA
I <sub>O</sub>	Current Limit	V <sub>IN</sub> - V <sub>O</sub> = 5V	1000			mA
eN	Output Noise(%V <sub>O</sub> )	B = 10Hz to 10kHz, T <sub>J</sub> = 25°C		100		μV
SVR	Supply Voltage Rejection	I <sub>O</sub> = 300mA, f = 120Hz, V <sub>IN</sub> - V <sub>O</sub> = 3V, V <sub>RIPPLE</sub> = 1V <sub>PP</sub>	60	75		dB

## For 1.8V Output Voltage

(T<sub>J</sub>=25°C, C<sub>OUT</sub> = 10μF unless otherwise specified)

SYMBOL	PARAMETER	CONDITIONS	MIN.	TYP.	MAX.	UNIT
V <sub>O</sub>	Output Voltage	V <sub>IN</sub> = 3.3V, I <sub>O</sub> = 10mA	1.782	1.8	1.818	V
V <sub>O</sub>	Output Voltage	V <sub>IN</sub> = 3.3V to 12V, I <sub>O</sub> = 0A to 300mA (T <sub>J</sub> = 0 ~ 125°C)	1.764		1.836	V
ΔV <sub>LINE</sub>	Line Regulation	I <sub>O</sub> = 0mA, V <sub>IN</sub> = 3.3V to 12V		0.1	0.2	%
ΔV <sub>LOAD</sub>	Load Regulation	I <sub>O</sub> = 0mA to 300mA, V <sub>IN</sub> = 3.8 V		0.2	0.4	%
V <sub>IN</sub>	Operating Input Voltage				12	V
I <sub>D</sub>	Quiescent Current	V <sub>IN</sub> - V <sub>O</sub> = 5V		5	10	mA
I <sub>O</sub>	Current Limit	V <sub>IN</sub> - V <sub>O</sub> = 5V	1000			mA
eN	Output Noise(%V <sub>O</sub> )	B = 10Hz to 10kHz, T <sub>J</sub> = 25°C		100		μV
SVR	Supply Voltage Rejection	I <sub>O</sub> = 300mA, f = 120Hz, V <sub>IN</sub> - V <sub>O</sub> = 3V, V <sub>RIPPLE</sub> = 1V <sub>PP</sub>	60	75		dB

## For 2.5V Output Voltage

(T<sub>J</sub>=25°C, C<sub>OUT</sub> = 10μF unless otherwise specified)

SYMBOL	PARAMETER	CONDITIONS	MIN.	TYP.	MAX.	UNIT
V <sub>O</sub>	Output Voltage	V <sub>IN</sub> = 4.0V, I <sub>O</sub> = 10mA	2.475	2.5	2.525	V
V <sub>O</sub>	Output Voltage	V <sub>IN</sub> = 4.0V to 12V, I <sub>O</sub> = 0A to 300mA (T <sub>J</sub> = 0 ~ 125°C)	2.450		2.550	V
ΔV <sub>LINE</sub>	Line Regulation	I <sub>O</sub> = 0mA, V <sub>IN</sub> = 4.0V to 12V		0.1	0.2	%
ΔV <sub>LOAD</sub>	Load Regulation	I <sub>O</sub> = 0mA to 300mA, V <sub>IN</sub> = 4.5 V		0.2	0.4	%
V <sub>IN</sub>	Operating Input Voltage				12	V
I <sub>D</sub>	Quiescent Current	V <sub>IN</sub> - V <sub>O</sub> = 5V		5	10	mA
I <sub>O</sub>	Current Limit	V <sub>IN</sub> - V <sub>O</sub> = 5V	1000			mA
eN	Output Noise(%V <sub>O</sub> )	B = 10Hz to 10kHz, T <sub>J</sub> = 25°C		100		μV
SVR	Supply Voltage Rejection	I <sub>O</sub> = 300mA, f = 120Hz, V <sub>IN</sub> - V <sub>O</sub> = 3V, V <sub>RIPPLE</sub> = 1V <sub>PP</sub>	60	75		dB

## For 3.3V Output Voltage

(T<sub>J</sub>=25°C, C<sub>OUT</sub> = 10μF unless otherwise specified)

SYMBOL	PARAMETER	CONDITIONS	MIN.	TYP.	MAX.	UNIT
V <sub>O</sub>	Output Voltage	V <sub>IN</sub> = 4.8V, I <sub>O</sub> = 10mA	3.267	3.3	3.333	V
V <sub>O</sub>	Output Voltage	V <sub>IN</sub> = 4.8V to 12V, I <sub>O</sub> = 0A to 300mA (T <sub>J</sub> = 0 ~ 125°C)	3.234		3.366	V
ΔV <sub>LINE</sub>	Line Regulation	I <sub>O</sub> = 0mA, V <sub>IN</sub> = 4.8V to 12V		0.1	0.2	%
ΔV <sub>LOAD</sub>	Load Regulation	I <sub>O</sub> = 0mA to 300mA, V <sub>IN</sub> = 5.3 V		0.2	0.4	%
V <sub>IN</sub>	Operating Input Voltage				12	V
I <sub>D</sub>	Quiescent Current	V <sub>IN</sub> - V <sub>O</sub> = 5V		5	10	mA
I <sub>O</sub>	Current Limit	V <sub>IN</sub> - V <sub>O</sub> = 5V	1000			mA
eN	Output Noise(%V <sub>O</sub> )	B = 10Hz to 10kHz, T <sub>J</sub> = 25°C		100		μV
SVR	Supply Voltage Rejection	I <sub>O</sub> = 300mA, f = 120Hz, V <sub>IN</sub> - V <sub>O</sub> = 3V, V <sub>RIPPLE</sub> = 1V <sub>PP</sub>	60	75		dB

## For 5.0V Output Voltage

(T<sub>J</sub>=25°C, C<sub>OUT</sub> = 10μF unless otherwise specified)

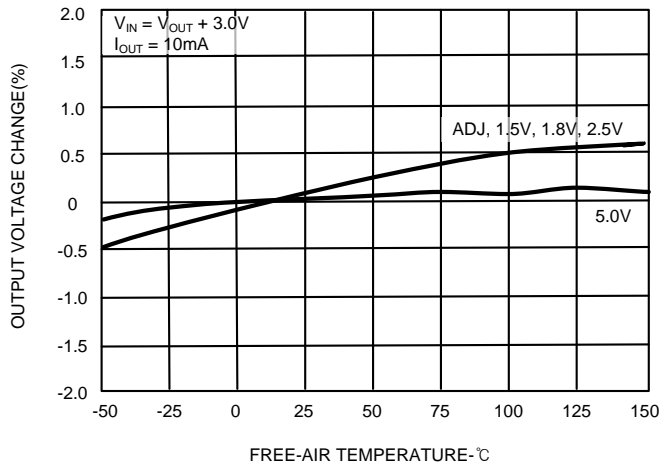
SYMBOL	PARAMETER	CONDITIONS	MIN.	TYP.	MAX.	UNIT
V <sub>O</sub>	Output Voltage	V <sub>IN</sub> = 6.5V, I <sub>O</sub> = 10mA	4.950	5.0	5.050	V
V <sub>O</sub>	Output Voltage	V <sub>IN</sub> = 6.5V to 15V, I <sub>O</sub> = 0A to 300mA (T <sub>J</sub> = 0 ~ 125°C)	4.900		5.100	V
ΔV <sub>LINE</sub>	Line Regulation	I <sub>O</sub> = 0mA, V <sub>IN</sub> = 6.5V to 15V		0.1	0.2	%
ΔV <sub>LOAD</sub>	Load Regulation	I <sub>O</sub> = 0mA to 300mA, V <sub>IN</sub> = 7.0 V		0.2	0.4	%
V <sub>IN</sub>	Operating Input Voltage				15	V
I <sub>D</sub>	Quiescent Current	V <sub>IN</sub> - V <sub>O</sub> = 5V		5	10	mA
I <sub>O</sub>	Current Limit	V <sub>IN</sub> - V <sub>O</sub> = 5V	1000			mA
eN	Output Noise(%V <sub>O</sub> )	B = 10Hz to 10kHz, T <sub>J</sub> = 25°C		100		μV
SVR	Supply Voltage Rejection	I <sub>O</sub> = 300mA, f = 120Hz, V <sub>IN</sub> - V <sub>O</sub> = 3V, V <sub>RIPPLE</sub> = 1V <sub>PP</sub>	60	75		dB

## For All Output Voltage

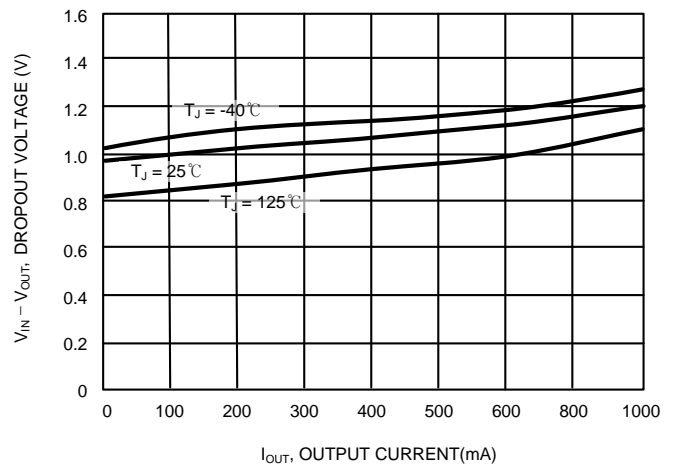
(T<sub>J</sub>=25°C, C<sub>OUT</sub> = 10μF unless otherwise specified)

SYMBOL	PARAMETER	CONDITIONS	MIN.	TYP.	MAX.	UNIT
V <sub>D</sub>	Dropout Voltage	I <sub>O</sub> = 300mA		1.2		V
	Temperature Stability			0.5		%
	Long Term Stability	1000 hrs, T <sub>J</sub> = 125°C		0.3		%
	Thermal Regulation	T <sub>A</sub> = 25°C 30ms Pulse		0.003		%/W

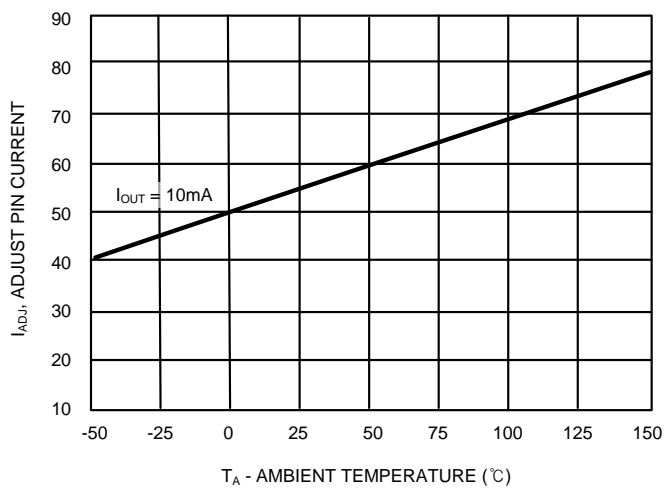
## TYPICAL OPERATING CHARACTERISTICS



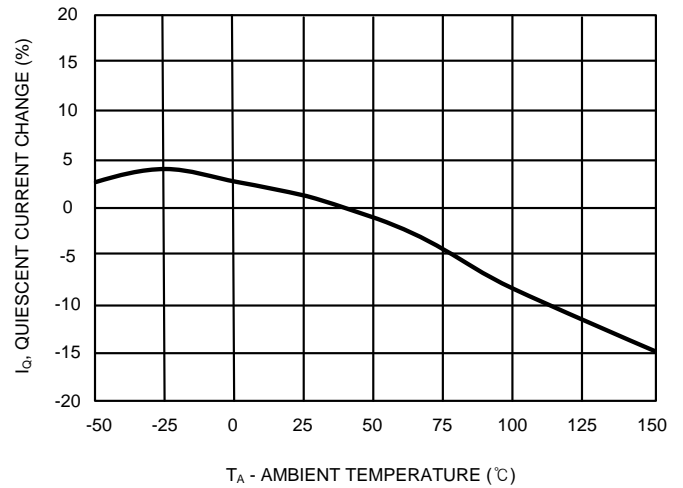
OUTPUT VOLTAGE CHANGE VS TEMPERATURE



DROPOUT VOLTAGE VS OUTPUT CURRENT



ADJ PIN CURRENT VS TEMPERATURE



QUIESCENT CURRENT CHANGE VS TEMPERATURE



## APPLICATION CIRCUITS

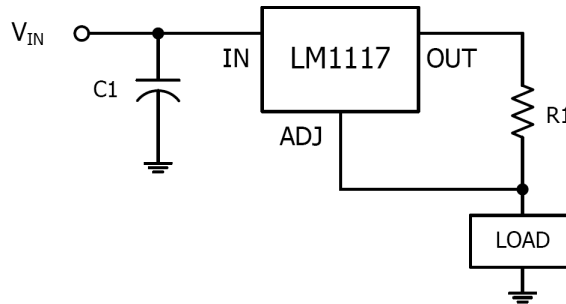


Fig.1 300mA Current Output

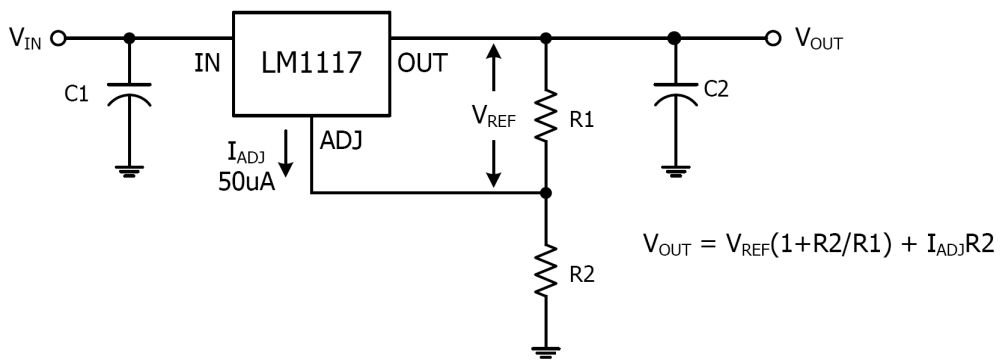


Fig.2 Typical Adjustable Regulator

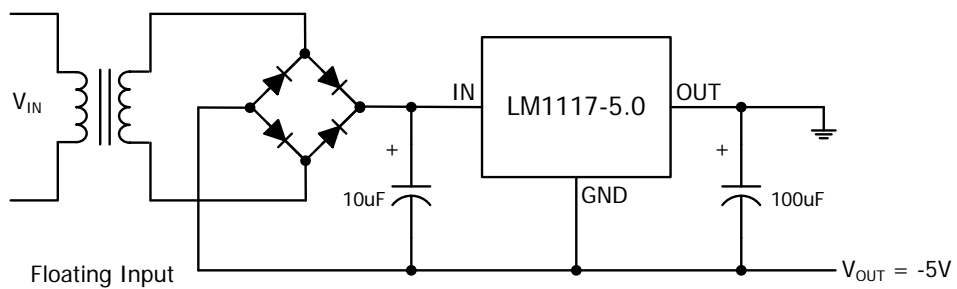


Fig.3 Negative Supply

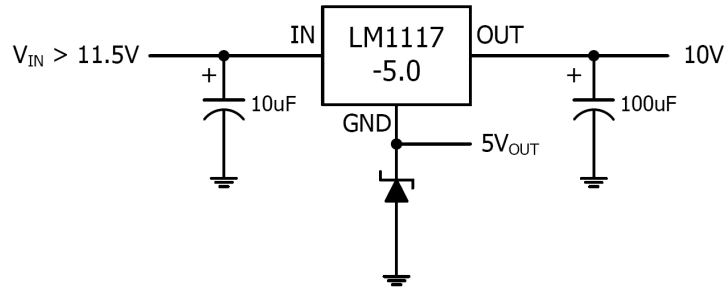


Fig.4 Voltage Regulator with Reference

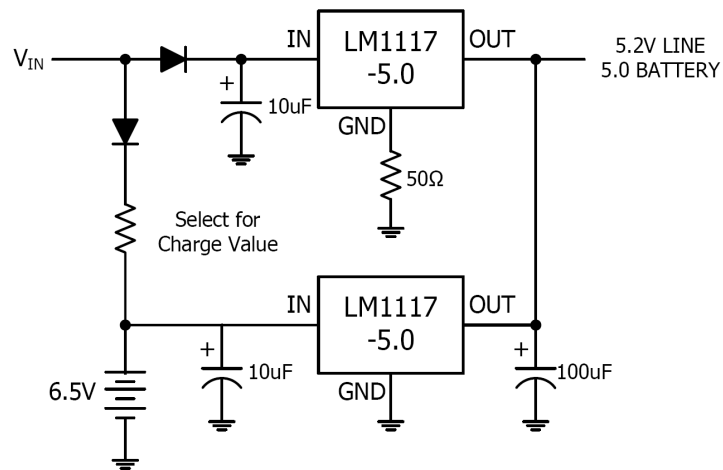


Fig.5 Battery Backed-up Regulated Supply

## APPLICATION INFORMATION

The LM1117GSF can deliver a continuous current of 300mA over the full operating junction temperature range. However, the output current is limited by the restriction of power dissipation which differs from packages. A heat sink may be required depending on the maximum power dissipation and maximum ambient temperature of application. With respect to the applied package, the maximum output current of 300mA may be still undeliverable due to the restriction of the power dissipation of LM1117GSF. Under all possible conditions, the junction temperature must be within the range specified under operating conditions. The temperatures over the device are given by:

$$T_C = T_A + P_D \times \theta_{CA} \quad / \quad T_J = T_C + P_D \times \theta_{JC} \quad / \quad T_J = T_A + P_D \times \theta_{JA}$$

where  $T_J$  is the junction temperature,  $T_C$  is the case temperature,  $T_A$  is the ambient temperature,  $P_D$  is the total power dissipation of the device,  $\theta_{CA}$  is the thermal resistance of case-to-ambient,  $\theta_{JC}$  is the thermal resistance of junction-to-case, and  $\theta_{JA}$  is the thermal resistance of junction to ambient. The total power dissipation of the device is given by:

$$\begin{aligned} P_D &= P_{IN} - P_{OUT} = (V_{IN} \times I_{IN}) - (V_{OUT} \times I_{OUT}) \\ &= (V_{IN} \times (I_{OUT} + I_{GND})) - (V_{OUT} \times I_{OUT}) = (V_{IN} - V_{OUT}) \times I_{OUT} + (V_{IN} \times I_{GND}) \end{aligned}$$

where  $I_{GND}$  is the operating ground current of the device which is specified at the Electrical Characteristics. The maximum allowable temperature rise ( $T_{Rmax}$ ) depends on the maximum ambient temperature ( $T_{Amax}$ ) of the application, and the maximum allowable junction temperature ( $T_{Jmax}$ ):

$$T_{Rmax} = T_{Jmax} - T_{Amax}$$

The maximum allowable value for junction-to-ambient thermal resistance,  $\theta_{JA}$ , can be calculated using the formula:

$$\theta_{JA} = T_{Rmax} / P_D = (T_{Jmax} - T_{Amax}) / P_D$$

LM1117GSF is available in SOT-23 package. The thermal resistance depends on amount of copper area or heat sink, and on air flow. If the maximum allowable value of  $\theta_{JA}$  calculated above is over 300°C/W for SOT-23 package, no heat sink is needed since the package can dissipate enough heat to satisfy these requirements. If the value for allowable  $\theta_{JA}$  falls near or below these limits, a heat sink or proper area of copper plane is required. In summary, the absolute maximum ratings of thermal resistances are as follow:

Characteristic	Symbol	Rating	Unit
Thermal Resistance Junction-to-Ambient / SOT-23	$\theta_{JA-SOT-23}$	300	°C/W

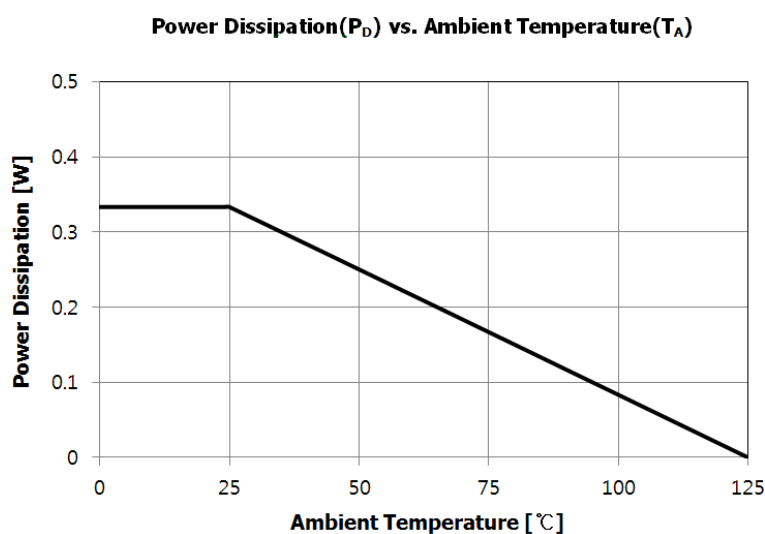
No heat sink / No air flow / No adjacent heat source / 0.066 inch<sup>2</sup> copper area. ( $T_A=25^\circ\text{C}$ )

In case that there is no cooling solution and no heat sink / minimum copper plane area for heat sink, the maximum allowable power dissipation of each package is as follow:

Characteristic	Symbol	Rating	Unit
Maximum Allowable Power Dissipation at $T_A=25^{\circ}\text{C}$ / SOT-23	$P_{D\text{Max-SOT-23}}$	0.333	W

Please note that above maximum allowable power dissipation is based on the minimum copper plane area which does not exceed the proper footprint of the package. And the ambient temperature is  $25^{\circ}\text{C}$ .

If proper cooling solution such as heat sink, copper plane area, air flow is applied, the maximum allowable power dissipation could be increased. However, if the ambient temperature is increased, the allowable power dissipation would be decreased.



## REVISION NOTICE

The description in this datasheet is subject to change without any notice to describe its electrical characteristics properly.

单击下面可查看定价，库存，交付和生命周期等信息

[>>HTC\(泰进\)](#)