



概述

LMV321（单路）是一款低功耗、输入/输出轨到轨、电压反馈的通用运算放大器。其具有较宽的输入共模电压和输出摆幅；最低工作电压可达 2.1V，最大推荐工作电压可达 5.5V。

LMV321 在 45uA 功耗的情况下具有 1.1MHz 增益带宽积；其具有极低的输入偏置电流（10pA 级），可用于积分器、光电二极管放大器和压电传感器等；其具有输入/输出轨到轨，使其可作为缓冲器用于单电源系统中。

该系列运算放大器的应用包括安全监测，便携式设备，电池和电源，供应的控制，低的电力传感器系统中的信号处理和接口。

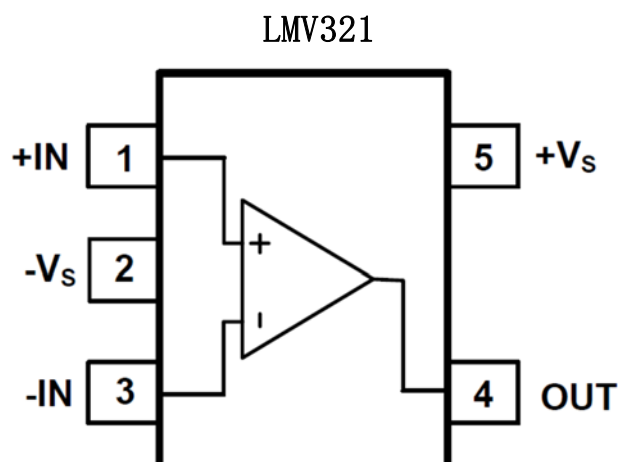
特点

- 低功耗：45uA
- 轨到轨输入/输出
- 低输出失调电压：典型 0.8mV
- 单位增益稳定
- 增益带宽积 1.1MHz
- 低输入偏置电流：10pA 级
- 2.1V~5.5V 的工作电压
- 宽输入电压范围：-0.1V~5.6V(V_S=5.5V)

主要应用

- ASIC 输入和输出运放
- 传感器接口、压电传感放大器
- 医疗器械
- 音频输出
- 移动通信、DSP 接口
- 便携式系统、电池供电设备
- 烟雾探测器、笔记本电脑、PCMCIA 卡

管脚排列图





极限条件

供电电压 (V+ to V-)	7.5 V
输入共模电压	(-VS) - 0.5 V to (+VS)+0.5V
贮存温度	-50°C to +150°C
结温	+150°C
工作温度	-40°C to +85°C
Lead Temperature Range (Soldering 10 sec)	250°C

注意：超过以上极限值有可能造成芯片的永久性损坏；长时间工作在极限值条件下，亦会影响器件的可靠性。精密的 LMV321 器件，在微小的静电情况下也可能受损，很小的参数变化就可能使整个电路性能不达标，故建议对电路做一定的预防措施。同时正确的安装上整机，也会减少损坏。

电气性能参数：VS = +5V

(无特殊说明 在 RL=100kΩ 连接 Vs/2 , 且 Vout = Vs/2, Ta=25°C)

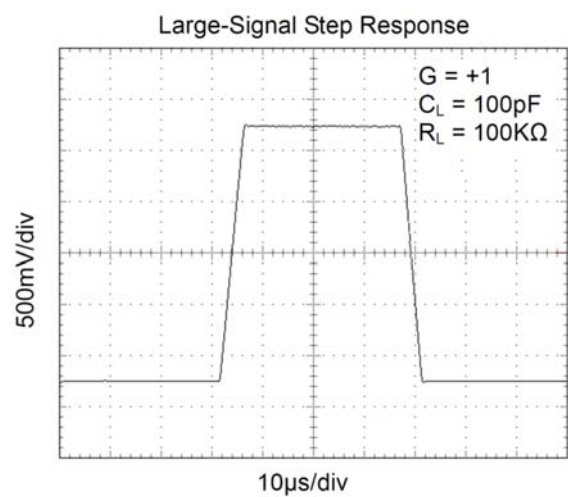
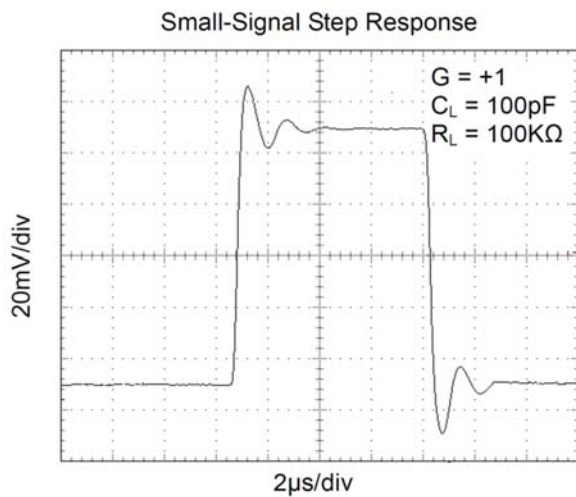
参数	测试条件	LMV321			
		25°C			
		典型值	Max/Min	单位	MIN/MAX
输入参数					
输入失调电压 (VOS)		±0.8	±5	mV	MAX
输入偏置电流 (IB)		10		pA	TYP
输入失调电流		10		pA	TYP
输入共模电压(Vcm)	VS = 5.5V	-0.1 to +5.6		V	TYP
共模抑制比(CMRR)	VS = 5.5V, VCM = - 0.1V to 4V	70	62	dB	MIN
	VS = 5.5V, VCM=-0.1V to 5.6V	68	56	dB	MIN
开环增益(AOL)	RL = 5KΩ ,Vo = 0.1V to 4.9V	80	70	dB	MIN
	RL =100KΩ,V0 = 0.035V to	84	80	dB	MIN
输入失调电压漂移 (ΔVOS/ΔT)	4.96V	2.7		μV/°C	TYP
输出参数					
输入电压摆幅	RL = 100KΩ	0.008		V	TYP
	RL = 10KΩ	0.08		V	TYP
输出电流 (IOUT)		30	20	mA	MIN

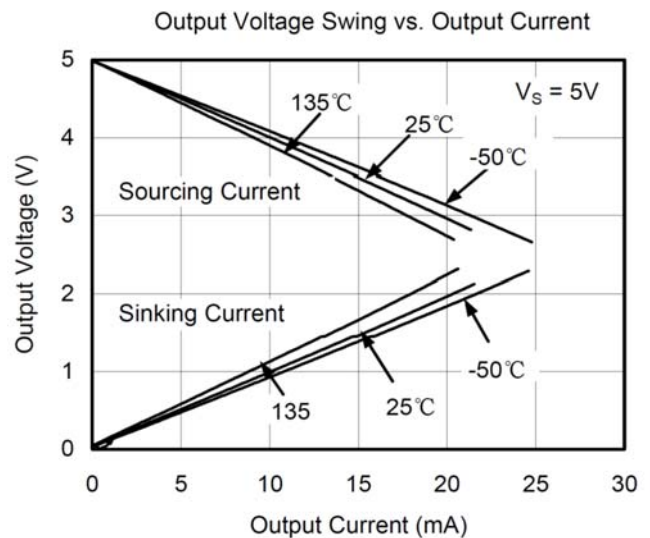
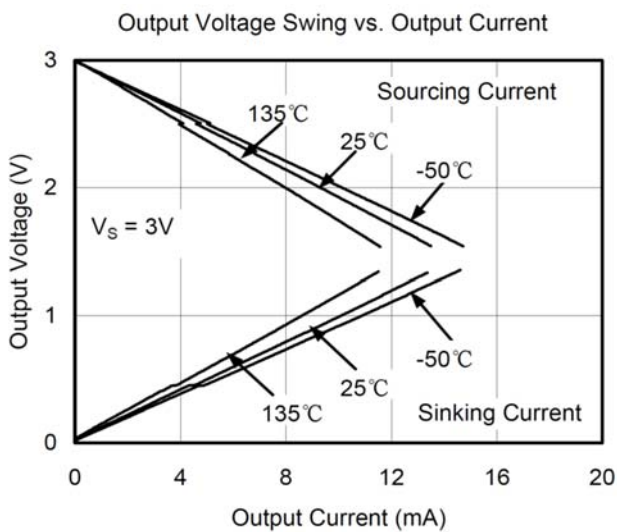
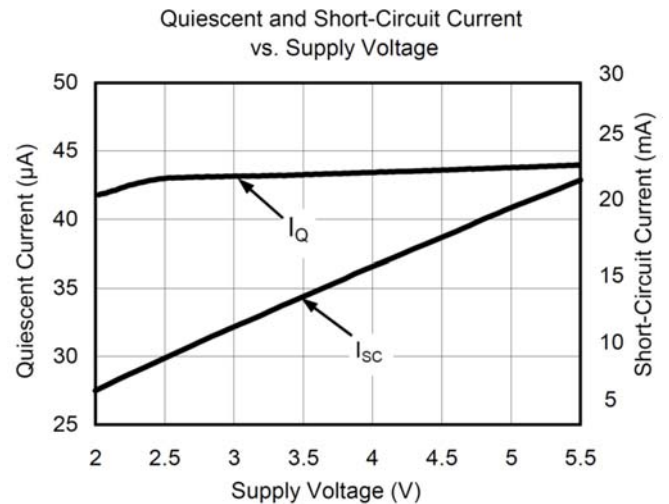
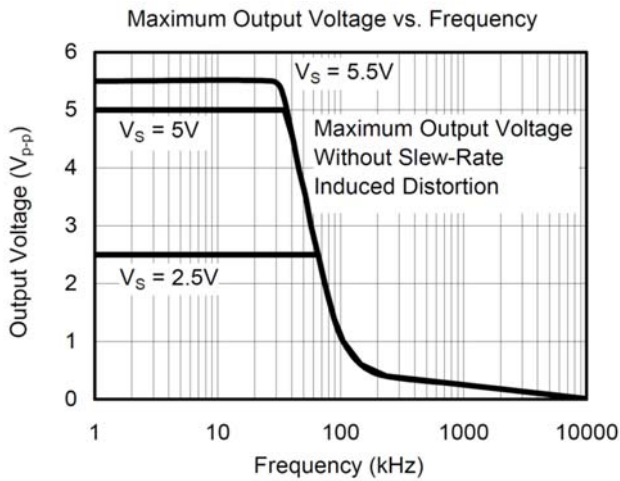
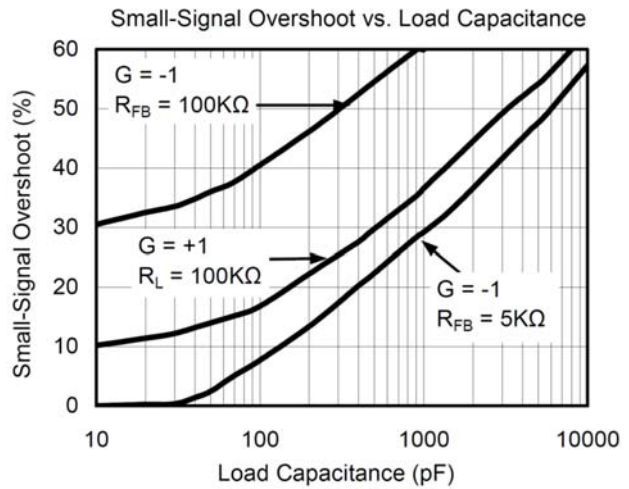
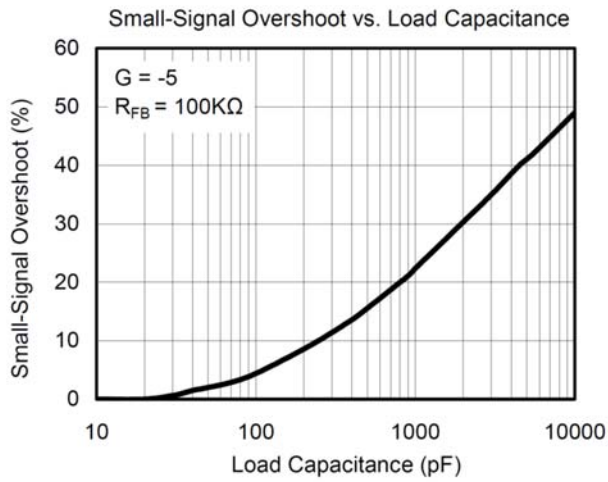


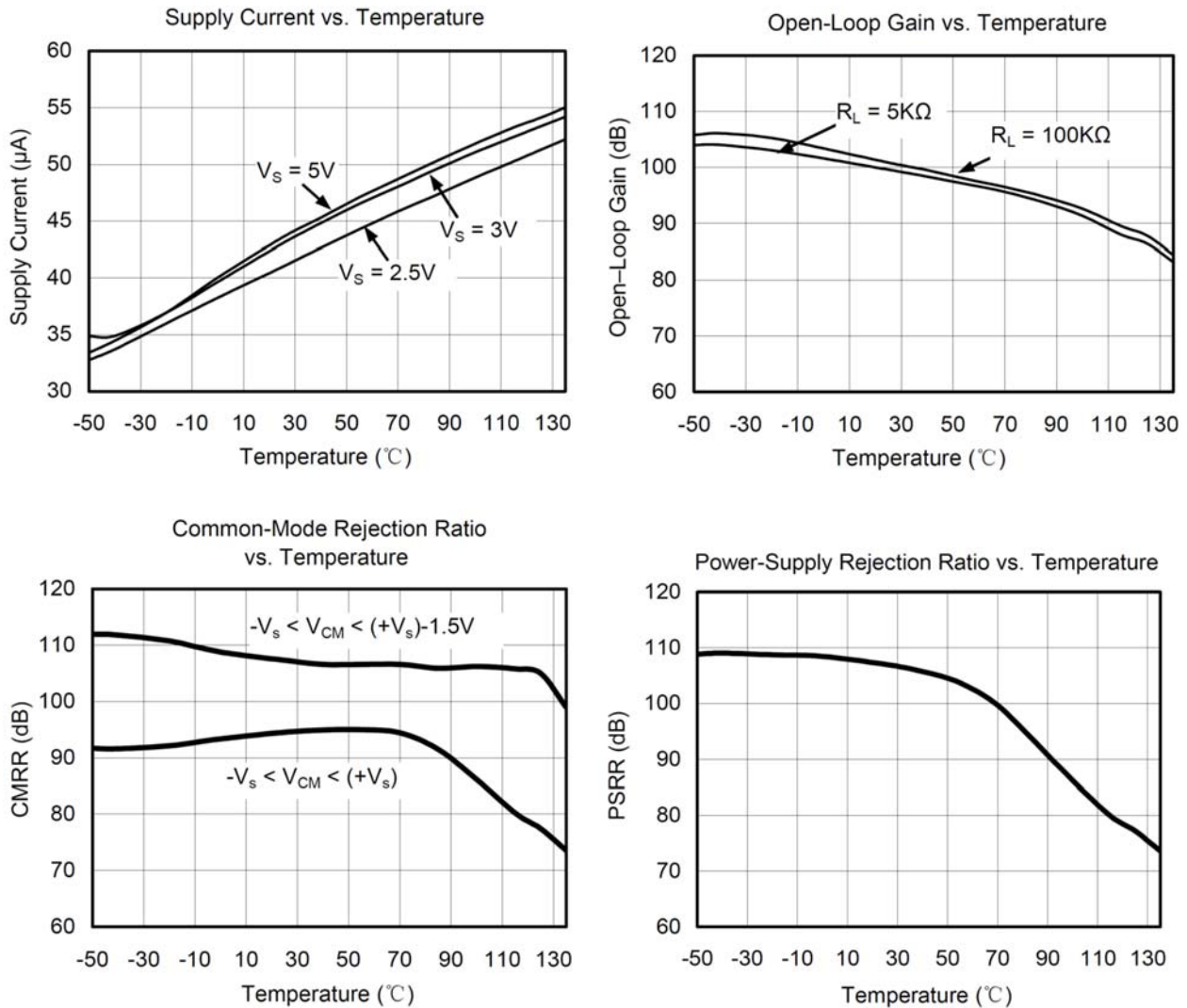
电源部分					
工作电压范围			2.1	V	MIN
			5.5	V	MAX
电源抑制比(PSRR)	$V_s = +2.5\text{ V to } +5.5\text{ V}$ $V_{CM} = (-V_S) + 0.5\text{ V}$	80	60	dB	MIN
静态电流/Amplifier (IQ)	IOUT = 0	45	65	μA	MAX
动态性能					
增益带宽积(GBP)	$C_L = 100\text{ pF}$	1.1		MHz	TYP
转换速率 (SR)	$G = +1, 2\text{ V Output Step}$	0.52		$\text{V}/\mu\text{s}$	TYP
噪声性能					
电压噪声密度 (en)	$f = 1\text{ kHz}$	27		$\text{nV}/\sqrt{\text{Hz}}$	TYP
	$f = 10\text{ kHz}$	20			TYP

典型性能参数

无特殊说明 $T_A = +25^\circ\text{C}$, $V_S = +5\text{V}$, and $R_L = 100\text{k}\Omega$ connected to $V_S/2$







应用说明

1. 驱动容性负载

LMV321单位增益下能直接驱动250pf电容（无振荡），单位增益跟随器（缓冲器）是对容性负载配置最敏感的。直接驱动容性负载，减少了振铃放大器相位正确度，甚至引起振荡。若应用需要驱动更大的电容，则需要在输出和电容之间使用一个隔离电阻，如图1。此隔离电阻 R_{ISO} 和电容负载 C_L 需稳定增加， R_{ISO} 值越大，输出也就越稳定。注意，这种方法损失了最终的增益，因为 R_{ISO} 和负载进行了分压。

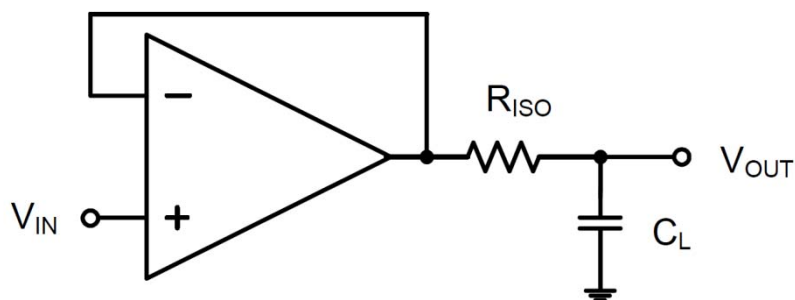


图1，驱动较大电容负载



一种改进的电路方式如图2，他提供的直流DC的精度和交流AC的稳定性，反向输入和输出端之间的反馈电阻 R_f 保证直流的精度， C_f 和 R_{iso} 连接在反向输入端和输出端之间，在高频率信号时，可以抵消一部分相位裕度的损失，从而保证整个反馈回路中的相位裕度。

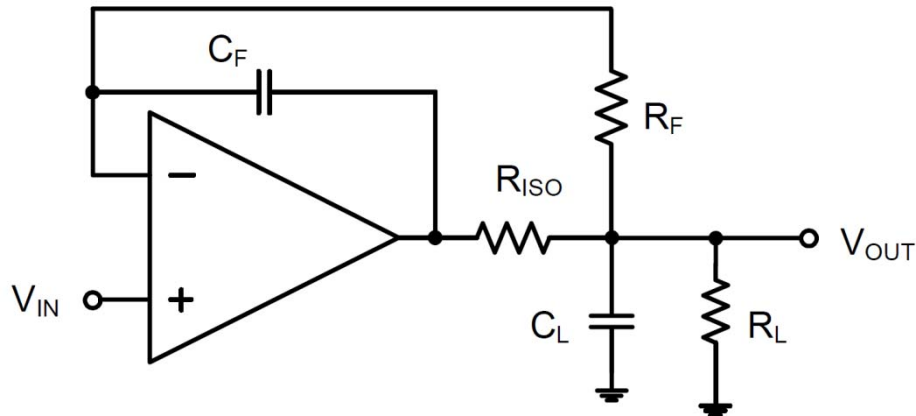


图2，直接驱动高电容，保证DC精度

对于没有缓冲配置的电路，有两种方法增益相位裕度，a) 增加放大器的增益，b) 在反馈电阻间并联一个电容，来抵消寄生电容。

2. 电源旁路和布局

LMV321可工作于单电源 $2.5V \sim 5.5V$ 或双电源 $\pm 1.25V \sim \pm 2.75V$ 。单电源下，旁路电容 $0.1\mu F$ 应靠近电源VDD引脚。双电源的情况下，VDD和VSS引脚都需接 $0.1\mu F$ 的旁路电容。（都为陶瓷电容） $2.2\mu F$ 的钽电容可以增加更好的性能。

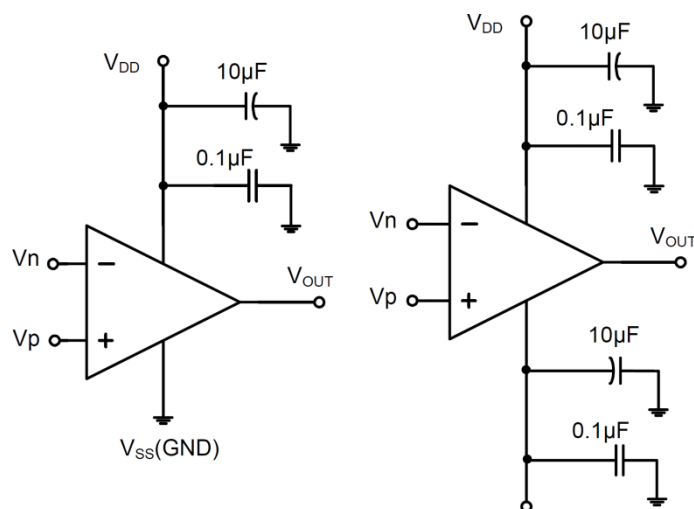


图3，带有旁路电容的运放

典型应用

1. 差分放大器

如图4所示电路，若电阻相等， $(R_4 / R_3 = R_2 / R_1)$ ，那输出 $V_{OUT} = (V_p - V_n) \times R_2 / R_1 + V_{REF}$ 。

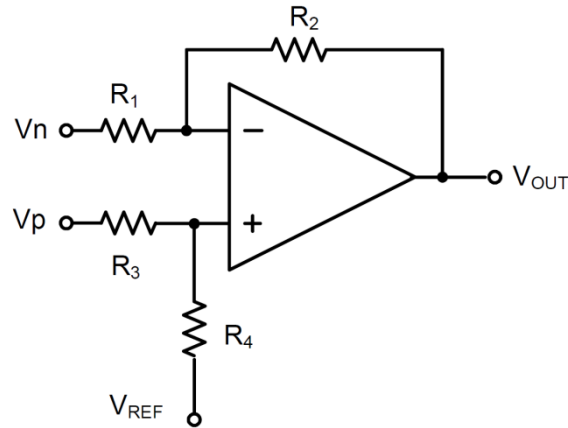


图4, 差分放大器

2. 仪表放大器

如图5电路和图4功能相同, 但是输入为高阻抗。

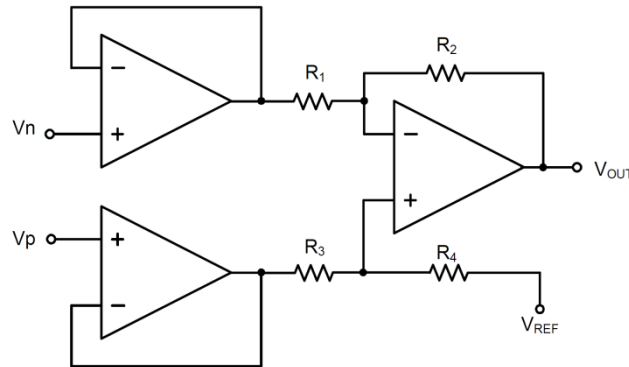


图5, 精密放大电路

3. 低通有源滤波

如图6的低通滤波电路, 拥有一个 $(-R_2 / R_1)$ 直流增益, 和在频率为 $1/2 \pi R_2 C$ 拐角 -3dB 。需确保滤波器在放大器的带宽内。大反馈的电阻在高速时易伴随寄生电容, 从而造成振荡等不良影响。保持尽可能低的电阻值, 并考虑合适的输出的负载。

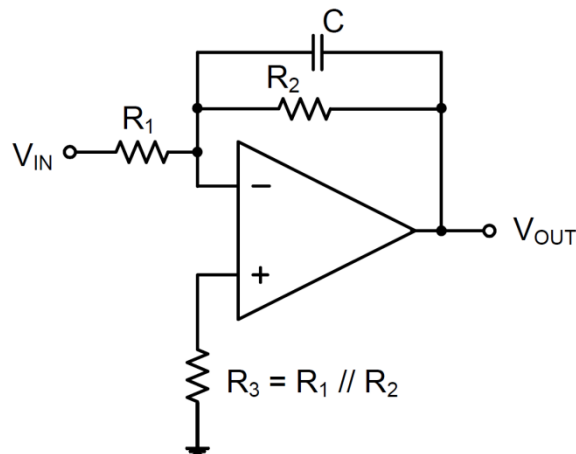
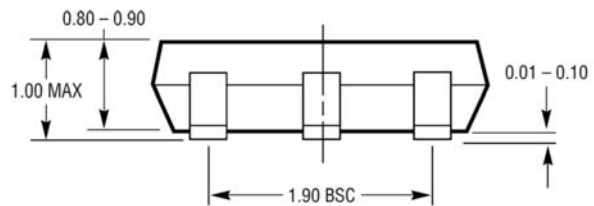
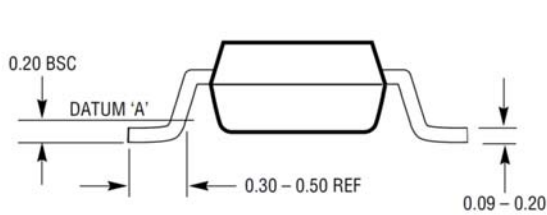
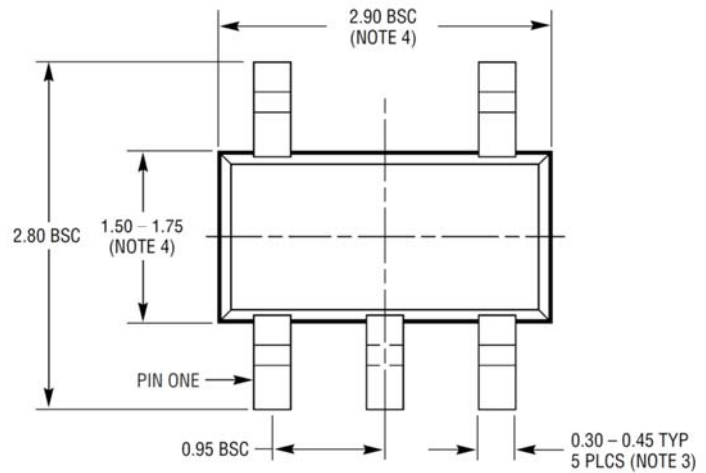
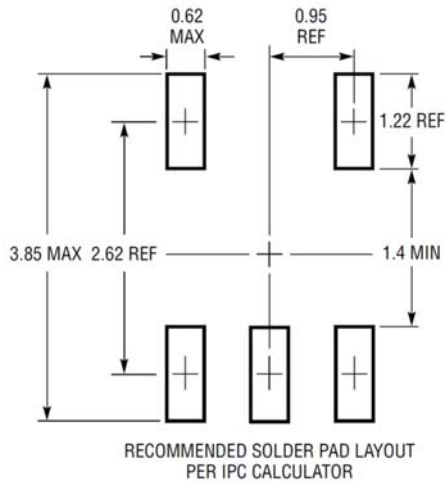


图6, 低通滤波器



封装信息 (SOT23-5)



NOTE

1. 尺寸以毫米为单位;
2. 未按比例尺绘图
3. 该尺寸包含电镀
4. 该尺寸只含塑料模具的光边。



Attention

- Any and all HUA XUAN YANG ELECTRONICS products described or contained herein do not have specifications that can handle applications that require extremely high levels of reliability, such as life-support systems, aircraft's control systems, or other applications whose failure can be reasonably expected to result in serious physical and/or material damage. Consult with your HUA XUAN YANG ELECTRONICS representative nearest you before using any HUA XUAN YANG ELECTRONICS products described or contained herein in such applications.
- HUA XUAN YANG ELECTRONICS assumes no responsibility for equipment failures that result from using products at values that exceed, even momentarily, rated values (such as maximum ratings, operating condition ranges, or other parameters) listed in products specifications of any and all HUA XUAN YANG ELECTRONICS products described or contained herein.
- Specifications of any and all HUA XUAN YANG ELECTRONICS products described or contained herein stipulate the performance, characteristics, and functions of the described products in the independent state, and are not guarantees of the performance, characteristics, and functions of the described products as mounted in the customer's products or equipment. To verify symptoms and states that cannot be evaluated in an independent device, the customer should always evaluate and test devices mounted in the customer's products or equipment.
- HUA XUAN YANG ELECTRONICS CO.,LTD. strives to supply high-quality high-reliability products. However, any and all semiconductor products fail with some probability. It is possible that these probabilistic failures could give rise to accidents or events that could endanger human lives, that could give rise to smoke or fire, or that could cause damage to other property. When designing equipment, adopt safety measures so that these kinds of accidents or events cannot occur. Such measures include but are not limited to protective circuits and error prevention circuits for safe design, redundant design, and structural design.
- In the event that any or all HUA XUAN YANG ELECTRONICS products(including technical data, services) described or contained herein are controlled under any of applicable local export control laws and regulations, such products must not be exported without obtaining the export license from the authorities concerned in accordance with the above law.
- No part of this publication may be reproduced or transmitted in any form or by any means, electronic or mechanical, including photocopying and recording, or any information storage or retrieval system, or otherwise, without the prior written permission of HUA XUAN YANG ELECTRONICS CO.,LTD.
- Information (including circuit diagrams and circuit parameters) herein is for example only ; it is not guaranteed for volume production. HUA XUAN YANG ELECTRONICS believes information herein is accurate and reliable, but no guarantees are made or implied regarding its use or any infringements of intellectual property rights or other rights of third parties.
- Any and all information described or contained herein are subject to change without notice due to product/technology improvement, etc. When designing equipment, refer to the "Delivery Specification" for the HUA XUAN YANG ELECTRONICS product that you intend to use.

单击下面可查看定价，库存，交付和生命周期等信息

[>>HXY MOSFET\(华轩阳电子\)](#)