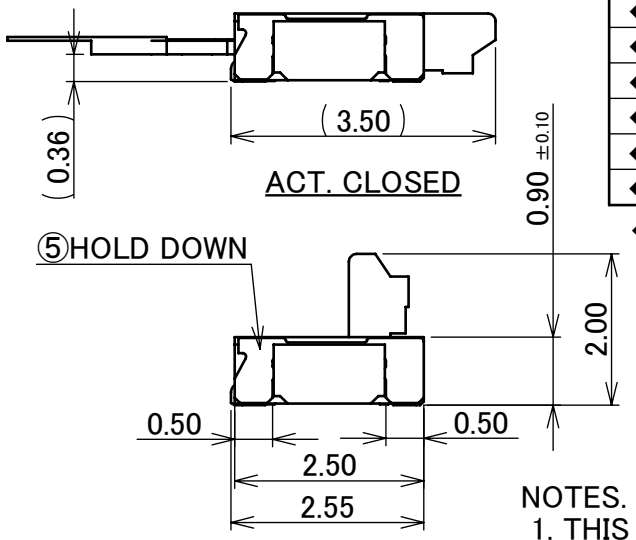


PART NO.	Pos.	A	B	C	D	E
◆20718-015E-01	15P	6.00	3.60	4.20	4.85	5.50
◆20718-033E-01	33P	11.40	9.00	9.60	10.25	10.90
◆20718-035E-01	35P	12.00	9.60	10.20	10.85	11.50
◆20718-037E-01	37P	12.60	10.20	10.80	11.45	12.10
◆20718-039E-01	39P	13.20	10.80	11.40	12.05	12.70
◆20718-041E-01	41P	13.80	11.40	12.00	12.65	13.30
◆20718-045E-01	45P	15.00	12.60	13.20	13.85	14.50
◆20718-049E-01	49P	16.20	13.80	14.40	15.05	15.70
◆20718-051E-01	51P	16.80	14.40	15.00	15.65	16.30
◆20718-055E-01	55P	18.00	15.60	16.20	16.85	17.50
◆20718-057E-01	57P	18.60	16.20	16.80	17.45	18.10
◆20718-061E-01	61P	19.80	17.40	18.00	18.65	19.30
◆20718-065E-01	65P	21.00	18.60	19.20	19.85	20.50
◆20718-067E-01	67P	21.60	19.20	19.80	20.45	21.10
◆20718-071E-01	71P	22.80	20.40	21.00	21.65	22.30
◆20718-075E-01	75P	24.00	21.60	22.20	22.85	23.50

◆ MARK MEANS NOT AVAILABLE.



- NOTES.
- THIS DENT SHAPE IS PURPOSED FOR GOOD INJECTION QUALITY. THIS DENT SHAPE WILL NOT AFFECT CONNECTR FUNCTION. DENT SHAPE SHOWN ON DRAWING IS JUST FOR REFERENCE. DENT SHAPE AND QUANTITY MIGHT CHABGE FROM DIFFERENT PIN COUNT AND DIFFERENT TOOLING.
 - CONTACT POINT : TOP AND BOTTOM CONTACT

CAUTION VISIT OUR WEBSITE FOR LATEST VERSIONS OF INSTRUCTION MANUAL NO. HIM-12007 TO HANDLE THE PRODUCT PROPERLY AND SAFELY.

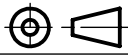
TABLE 1

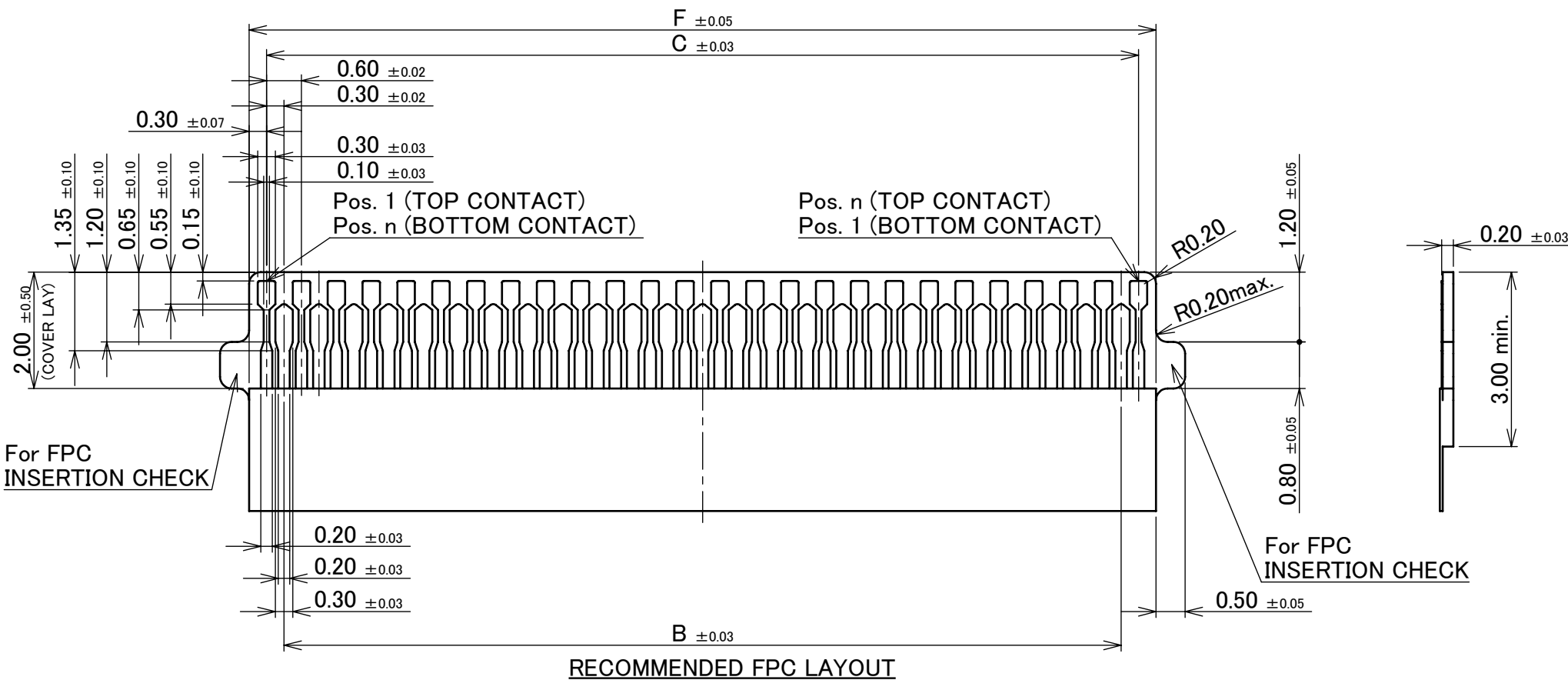
PART NO.	FINISH		
20718-0**E-01	CONTACT AREA : Au 0.10 μm MIN. OVER Ni 1.00 μm MIN. SOLDERING AREA : Au 0.03 μm MIN. OVER Ni 1.00 μm MIN.		
5	HOLD DOWN	PHOSPHOR BRONZE	Sn 2~6 μm MIN. OVER Ni 1.00 μm MIN.
4	CONTACT (B)	PHOSPHOR BRONZE	SEE TABLE 1, WITH Ni STRIPE
3	CONTACT (A)	PHOSPHOR BRONZE	SEE TABLE 1
2	ACTUATOR	LCP	UL94V-0, BEIGE
1	HOUSING	LCP	UL94V-0, BEIGE
NO.	DISCRIPTION	MATERIAL	FINISH , REMARKS

7	Z200739	M.M	July/15/'20	Y.S	ANGLE	±2°	6 OVER 30 MAX.	±0.3	PROJECTION	SERIES No. R0	CUSTOMER COPY		
6	Z191376	M.M	Oct./15/'19	H.I	6 MAX.	±0.2	30 OVER 120 MAX.	±0.5					
5	Z181440	T.O	Nov./02/'18	H.I	GENERAL TOLERANCE.			TITLE MINIFLEX® 3-BFN L-HD TYPE	SCALE	I-PEX			
4	Z181292	T.O	Oct./01/'18	H.I	DWG.	R.Takei	DATE		2015/09/17		10:1		
3	Z170562	M.M	May/12/'17	Y.S	CHK.		DATE		UNIT				
2	Z161237	H.A	Oct./06/'16	Y.S	APP.	Y.Shimada	DATE	2015/09/18	mm				
REV.	ECN	BY	DATE	APP.	APP.	Y.Shimada	DATE	2015/09/18	DWG. No.	20718	SIZE	A3	
REVISION RECORD										SHEET	1/5	REV.	7

ITEMS	SPECIFICATION
RATING VOLTAGE	50V AC (PER CONTACT)
RATING AMPERAGE	0.3A DC (PER CONTACT)
OPERATING TEMPERATURE	233~358K (-40°C~+85°C)
OPERATING HUMIDITY	20~80%RH (NON-CONDENSING)
CONTACT RESISTANCE	INITIAL : 60mohm MAX. / AFTER TEST : \triangleleft 40mohm MAX.
INSULATION RESISTANCE	100Mohm MIN.
DIELECTRIC WITHSTANDING VOLTAGE	AC250V 1min
DURABILITY	20 CYCLES
ACTUATOR LOCKING FORCE (INITIAL / 20 CYCLES)	INITIAL / 20 CYCLES 0.21N (21gf) \times n MAX.
ACTUATOR UNLOCKING FORCE (INITIAL / 20 CYCLES)	INITIAL / 20 CYCLES 0.014N (1.4gf) \times n MIN.
FPC RETENTION FORCE (INITIAL / AFTER TEST)	INITIAL: 0.13N (13gf) \times n MIN. / AFTER TEST: 0.10N (10gf) \times n MIN.
COPLANARITY	0.10 MAX.
PRODUCT SPECIFICATION	PRS-2123
TEST REPORT	TR-15087
PACKING STANDARD	PST-15093
INSTRUCTION MANUAL	HIM-12007
APPEARANCE CRITERIA No.	QLS-A***

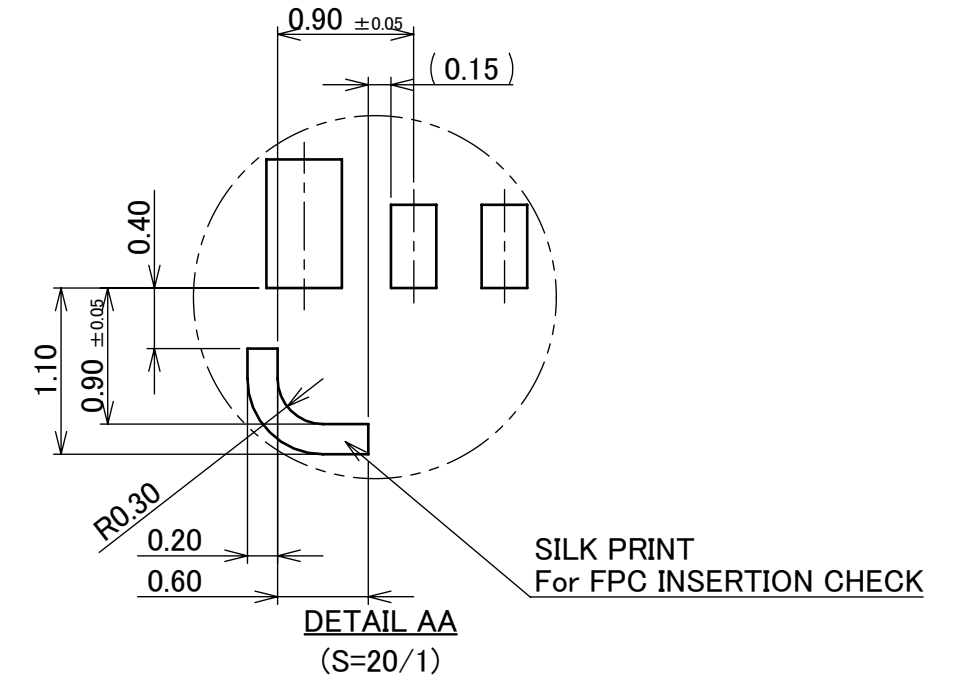
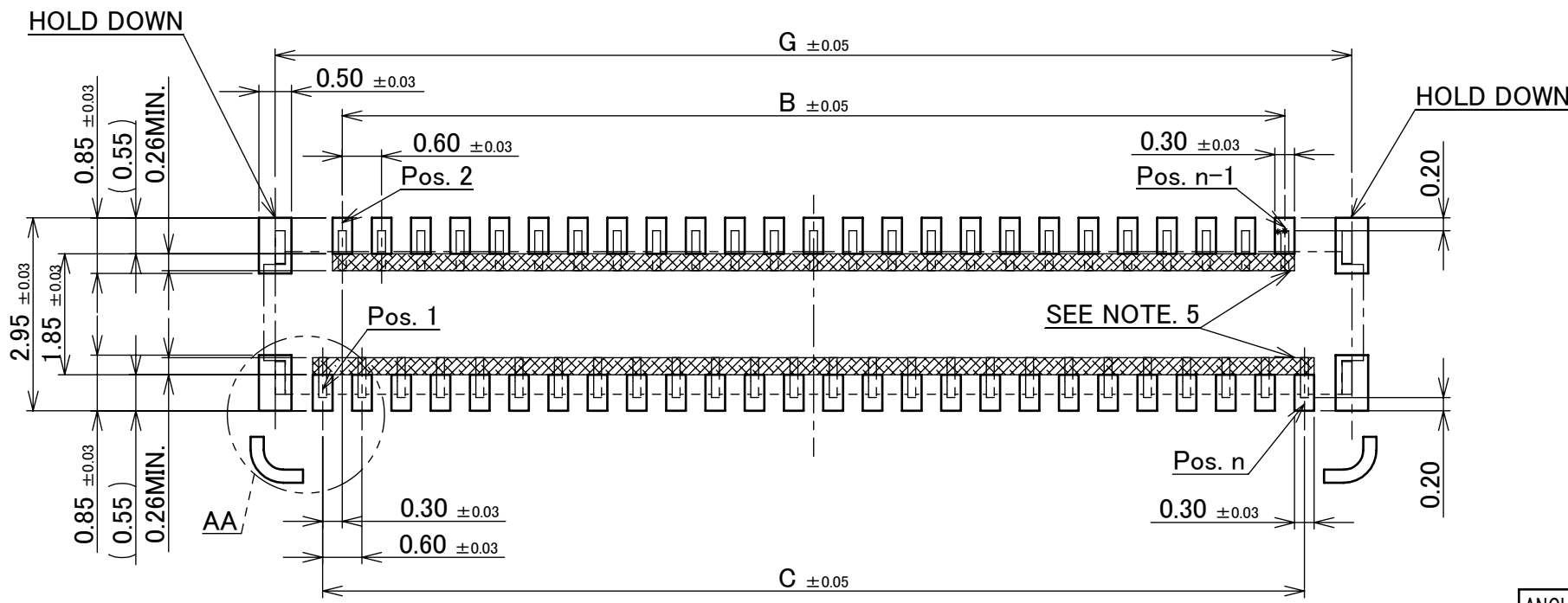
※ "n" IS THE NUMBER OF PIN

ANGLE	$\pm 2^\circ$	6 OVER 30 MAX.	± 0.3	PROJECTION 	SERIES No. R0	CUSTOMER COPY
6 MAX.	± 0.2	30 OVER 120 MAX.	± 0.5			
GENERAL TOLERANCE.				TITLE MINIFLEX [®] 3-BFN L-HD TYPE	SCALE	UNIT mm
DWG.	DATE					
CHK.	DATE					
APP.	DATE					
				DWG. No.	20718	SIZE A3
				SHEET 2/5		REV. 7

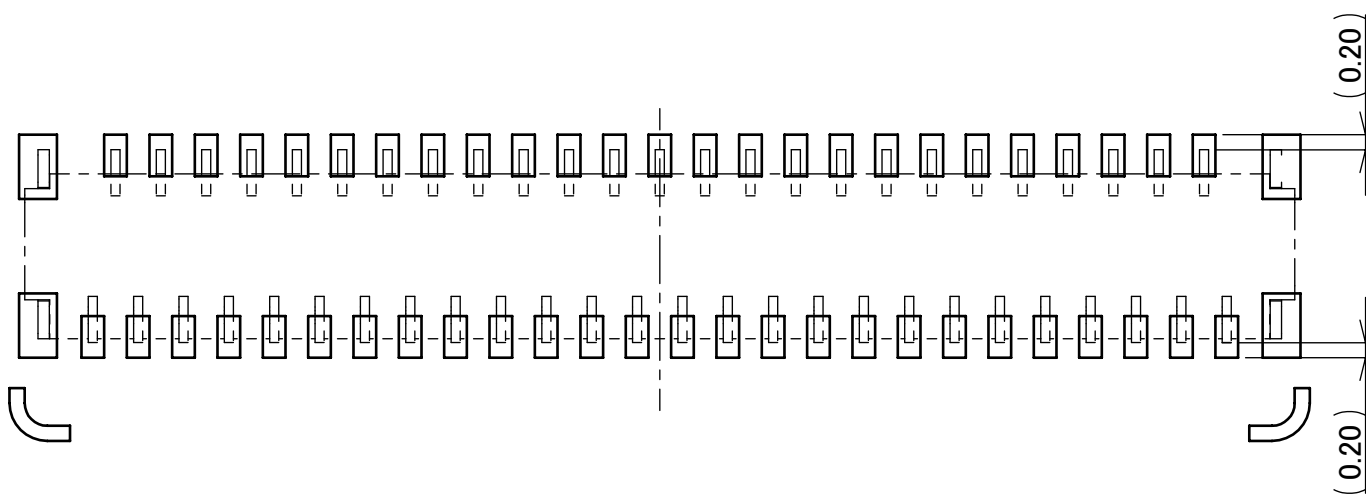


PART NO.	Pos.	B	C	F	G
◆20718-015E-01	15P	3.60	4.20	4.80	5.65
◆20718-033E-01	33P	9.00	9.60	10.20	11.05
◆20718-035E-01	35P	9.60	10.20	10.80	11.65
◆20718-037E-01	37P	10.20	10.80	11.40	12.25
◆20718-039E-01	39P	10.80	11.40	12.00	12.85
◆20718-041E-01	41P	11.40	12.00	12.60	13.45
◆20718-045E-01	45P	12.60	13.20	13.80	14.65
◆20718-049E-01	49P	13.80	14.40	15.00	15.85
◆20718-051E-01	51P	14.40	15.00	15.60	16.45
◆20718-055E-01	55P	15.60	16.20	16.80	17.65
◆20718-057E-01	57P	16.20	16.80	17.40	18.25
◆20718-061E-01	61P	17.40	18.00	18.60	19.45
◆20718-065E-01	65P	18.60	19.20	19.80	20.65
◆20718-067E-01	67P	19.20	19.80	20.40	21.25
◆20718-071E-01	71P	20.40	21.00	21.60	22.45
◆20718-075E-01	75P	21.60	22.20	22.80	23.65

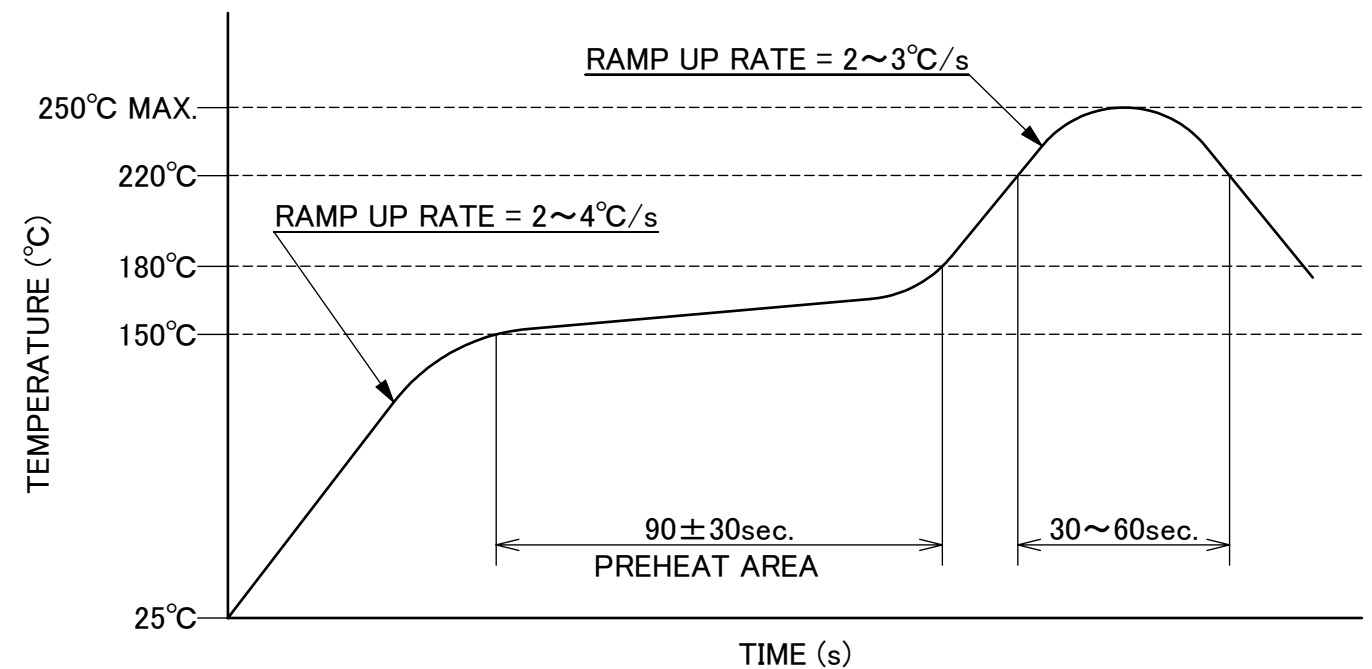
- ◆ MARK MEANS NOT AVAILABLE.
- NOTES.
- MATERIAL
COVER FILM : PI
CONDUCTOR : COPPER(RARE)
BASE FILM : PI
STIFFENER : PI
ADHESIVE : THERMOSETTING ADHESIVE
 - FINISH
Au OVER Ni UNDER PLATING.
 - SOLDER RESIST SHALL BE APPLIED TO PREVENT SHORT CIRCUITS WHEN PLACING SIGNAL LINES ON GROUND AREA.



ANGLE	$\pm 2^\circ$	6 OVER 30 MAX.	± 0.3	PROJECTION	SERIES No.	CUSTOMER COPY
	6 MAX.	± 0.2	30 OVER 120 MAX.	± 0.5	R0	
GENERAL TOLERANCE.				TITLE	SCALE	I-PEX
DWG.	DATE			MINIFLEX® 3-BFN	10:1	
CHK.	DATE			L-HD TYPE	UNIT	
APP.	DATE			DWG. No.	mm	
				20718	SIZE	SHEET 3/5 REV. 7
					A3	



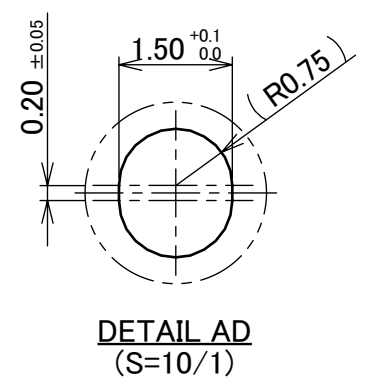
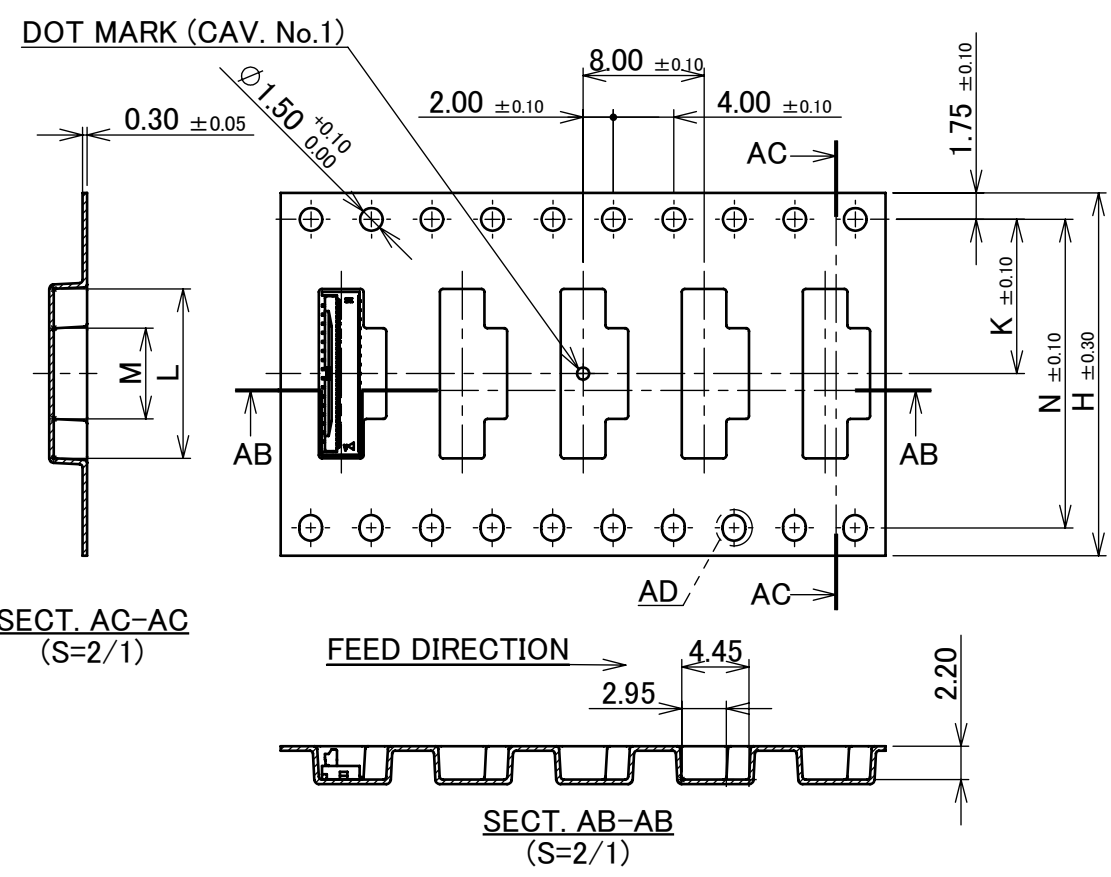
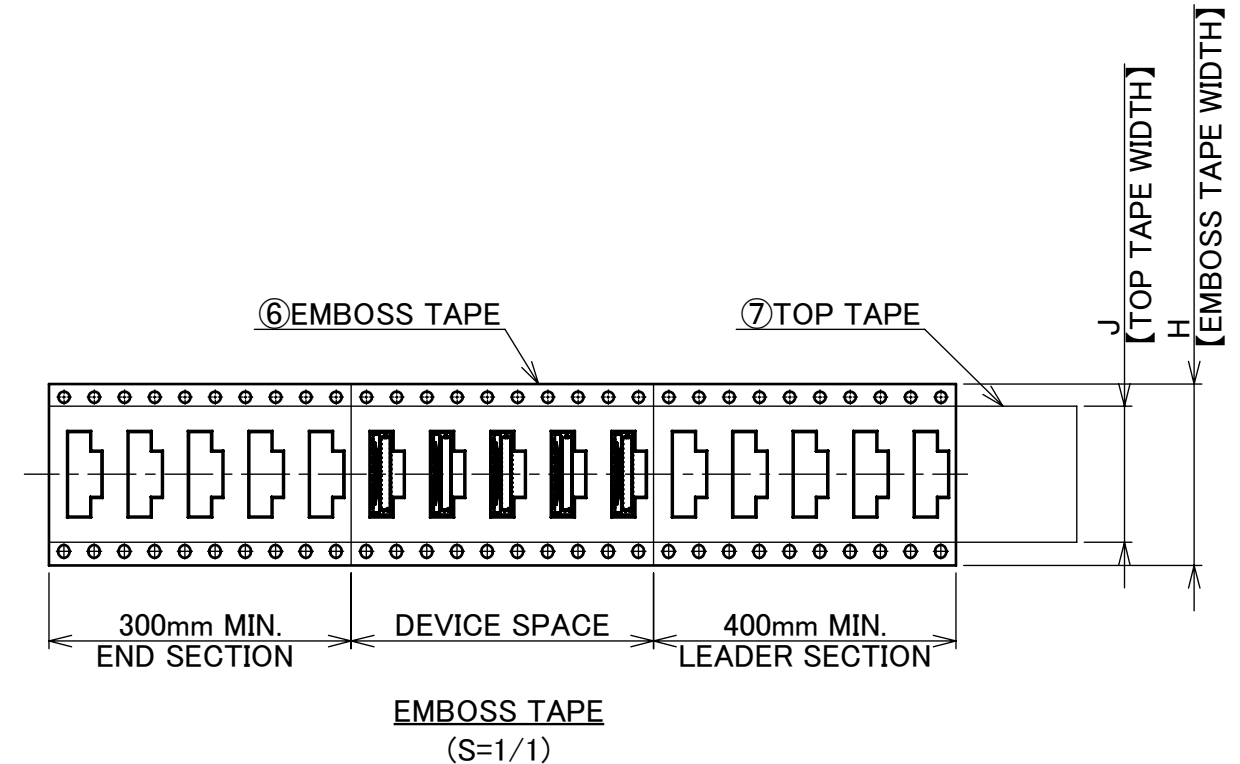
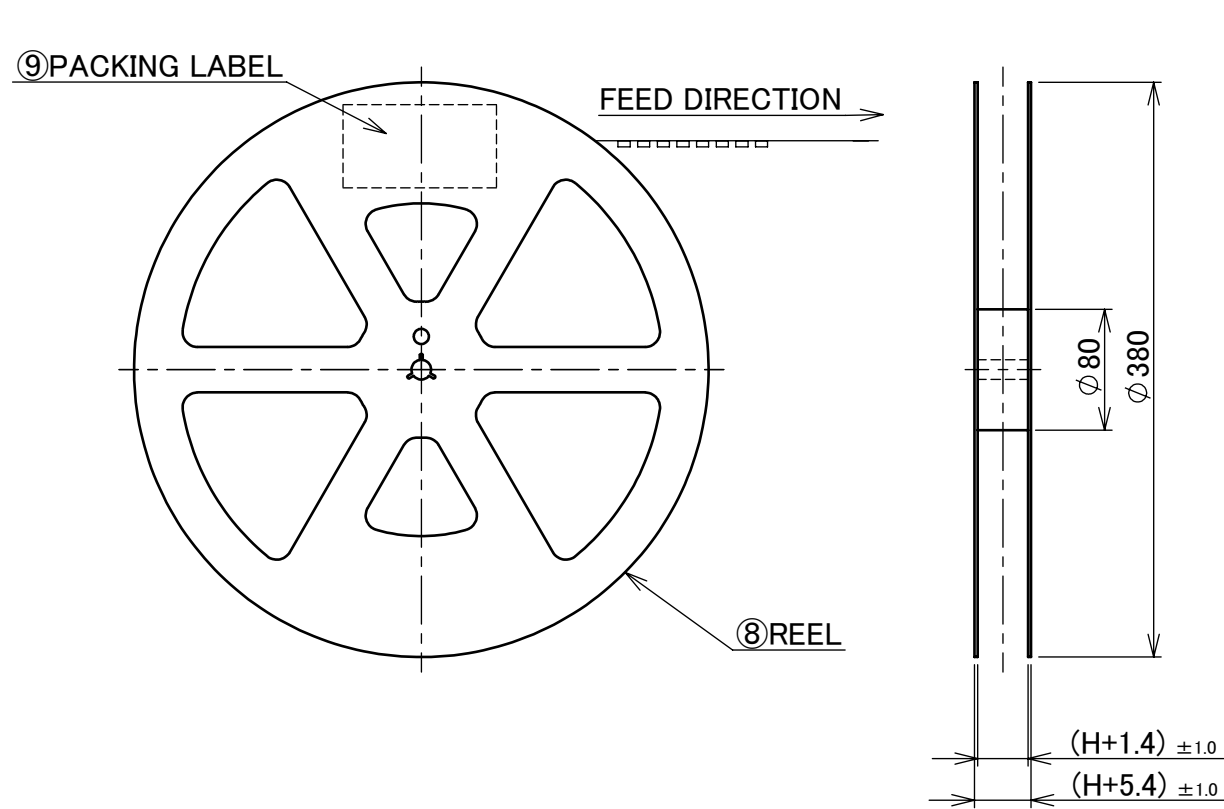
CONNECTOR ON RECOMMENDED PCB LAYOUT



REFLOW TEMPERATURE PROFILE
 SENJU METAL INDUSTRY CO., LTD. : M705-SHF(Sn96.5 Ag3.0 Cu0.5)

ANGLE	±2°	6 OVER 30 MAX.	±0.3	PROJECTION 	SERIES No. R0	CUSTOMER COPY		
6 MAX.	±0.2	30 OVER 120 MAX.	±0.5					
GENERAL TOLERANCE.				TITLE MINIFLEX® 3-BFN L-HD TYPE	SCALE 10:1	UNIT mm I-PEX		
DWG.	DATE							
CHK.	DATE							
APP.	DATE							
				DWG. No.	20718	SIZE A3	SHEET 4/5	REV. 7

DEVICE P/N	H	J	K	L	M	N	QTY. PER EMBOSS REEL (PIECES / REEL)	QTY. PER PACKING CARTON (REELS / CARTON)
20718-051E-01	32.0	26.0	14.20	17.20	8.00	28.40	4,000 / REEL	4 / CARTON = 16,000
◆20718-061E-01				20.20	10.00			



- NOTES.
- TAPING SPECIFICATION FOLLOWS JIS C 0806 (IEC 60286-3).
 - MAKE EMPTY SECTION OF LEADER AND END ON EACH END OF THE TAPE.
 - TOP TAPE SHALL NOT STICK OUT FROM EMBOSS TAPE.
 - TOP TAPE SHALL NOT COVER FEED HOLE.

NO.	DISCRIPTION	MATERIAL	FINISH , REMARKS
9	PACKING LABEL	-	-
8	REEL	PS	BLACK
7	TOP TAPE	PET t=0.061 TRANSPARENCY	ANTI-STATIC TYPE ADHESIVE TYPE
6	EMBOSS TAPE	PS t=0.3 TRANSPARENCY	ANTI-STATIC TYPE

ANGLE	±2°	6 OVER 30 MAX.	±0.3	PROJECTION	SERIES No.	CUSTOMER COPY
6 MAX.	±0.2	30 OVER 120 MAX.	±0.5		R0	
GENERAL TOLERANCE.				TITLE	I-PEX SHEET 5/5 REV. 7	
DWG.	DATE		MINIFLEX® 3-BFN L-HD TYPE			
CHK.	DATE		DWG. No. 20718			
APP.	DATE		SCALE 1:X UNIT mm SIZE A3			

单击下面可查看定价，库存，交付和生命周期等信息

[>>I-PEX](#)