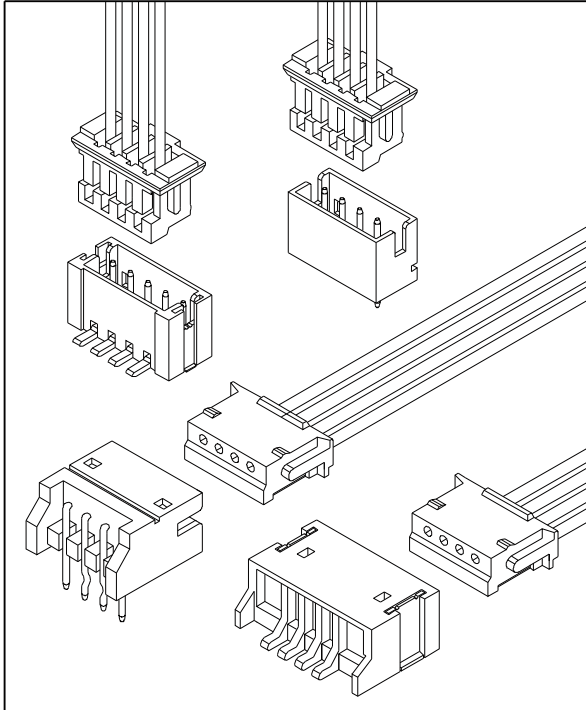


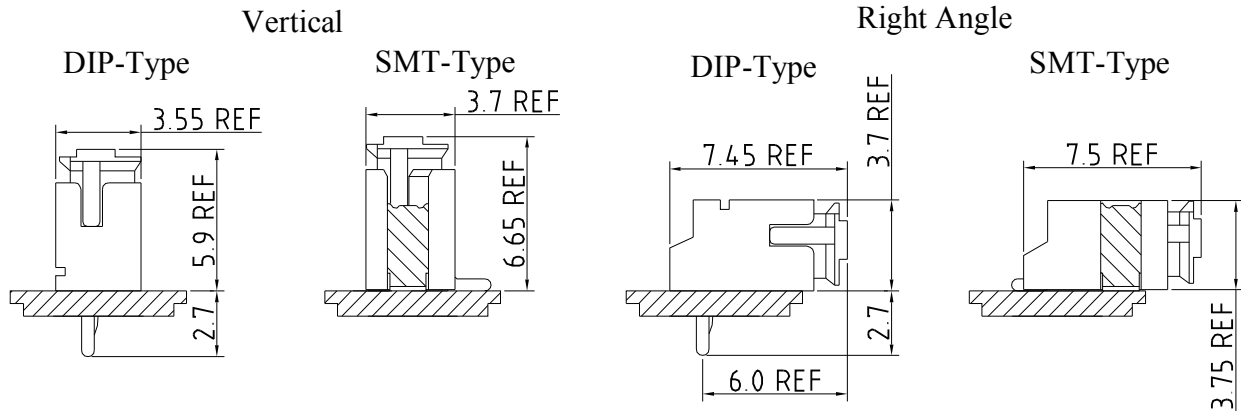
1.50mm Pitch Wire To Board Connector



Specification

| | |
|-----------------------------------|----------------|
| Circuits | 02 -15 |
| Pitch | 1.50mm |
| Current Rating | 1A AC/DC |
| Voltage Rating | 50V AC/DC |
| Contact Resistance | 20mΩ MAX. |
| Withstand Voltage | 500V AC/minute |
| Insulation Resistance | 500MΩ MIN. |
| Temperature Range | -40°C - +105°C |
| Applicable Wire Range | AWG #26 - #32 |
| Applicable P.C.B Thickness | 0.6mm - 1.2mm |
| Applicable P.C.B Hole Dia. | ∅0.7mm ± 0.05 |

Assembly Layout



IPCW150 * ** * * * * *
 ① ② ③ ④ ⑤ ⑥ ⑦ ⑧

- ① Series Type. IPCW150
- ② Connector Type.
T: Terminal
W: Wafer
H: Housing
- ③ Pin code.
Terminal: Serial number
Wafer or Housing: x row x pin number of row
- ④ Material code.
- ⑤ Appearance code.
- ⑥ Internal code
- ⑦ Company code.

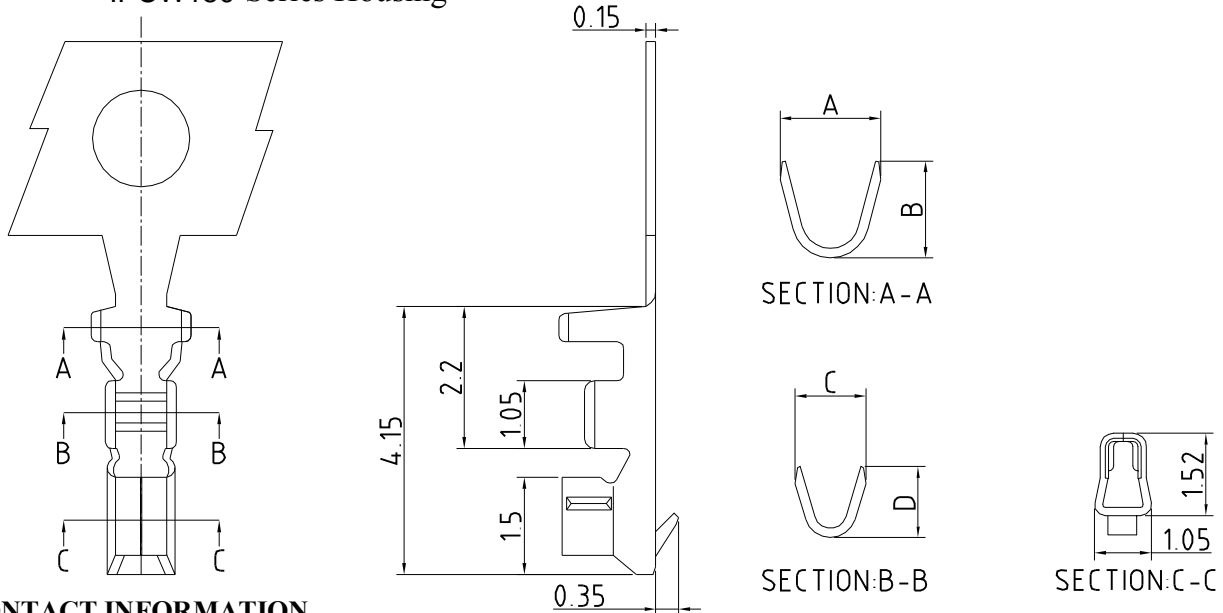
- ⑧ Other code.
Housing
Wafer
V: Vertical
R: Right Angle
S: Vertical SMT Type
M: Right Angle SMT Type

Unit : mm

Terminal

Features

Use with: IPCW150 Series Housing



CONTACT INFORMATION

| Part No. | Wire Range | Insulation O.D. | DIM.(mm) | | | | Material | Finish | Q'ty/Reel |
|-------------|-------------|-----------------|----------|------|------|------|-----------------|----------|------------|
| | | | A | B | C | D | | | |
| IPCW150T01* | AWG #28-#32 | 0.9mm(MAX.) | 1.55 | 1.50 | 1.10 | 1.10 | Phosphor bronze | See note | 10,000 pcs |
| IPCW150T02* | AWG #26-#28 | 1.1mm(MAX.) | 1.70 | 1.80 | 1.25 | 1.20 | | | |

Housing

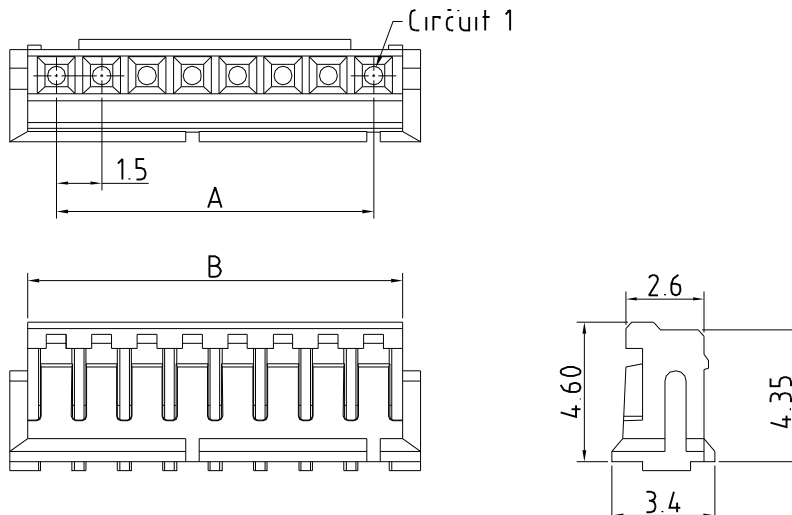
Features

Available Number of Circuits: 02 - 15

Material: Regular Thermoplastic 94V-0

Use with: IPCW150 Crimp Terminal

Mates with : IPCW150 Series Wafer or IPCW150 Female Housing



Dimension and Order Information

| Circuits | Part No. | DIM.(mm) | |
|----------|-------------|----------|-------|
| | | A | B |
| 2 | IPCW150H12* | 1.50 | 3.30 |
| 3 | IPCW150H13* | 3.00 | 4.80 |
| 4 | IPCW150H14* | 4.50 | 6.30 |
| 5 | IPCW150H15* | 6.00 | 7.80 |
| 6 | IPCW150H16* | 7.50 | 9.30 |
| 7 | IPCW150H17* | 9.00 | 10.80 |
| 8 | IPCW150H18* | 10.50 | 12.30 |
| 9 | IPCW150H19* | 12.00 | 13.80 |
| 10 | IPCW150H1A* | 13.50 | 15.30 |
| 11 | IPCW150H1B* | 15.00 | 16.80 |
| 12 | IPCW150H1C* | 16.50 | 18.30 |
| 13 | IPCW150H1D* | 18.00 | 19.80 |
| 14 | IPCW150H1E* | 19.50 | 21.30 |
| 15 | IPCW150H1F* | 21.00 | 22.80 |

1.50mm Pitch Wire To Board Connector

Unit : mm

Wafer

Vertical

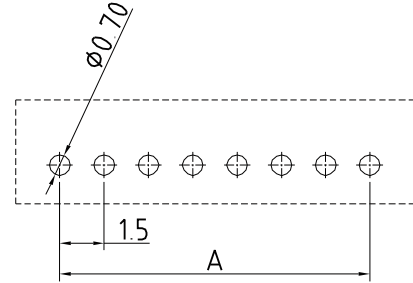
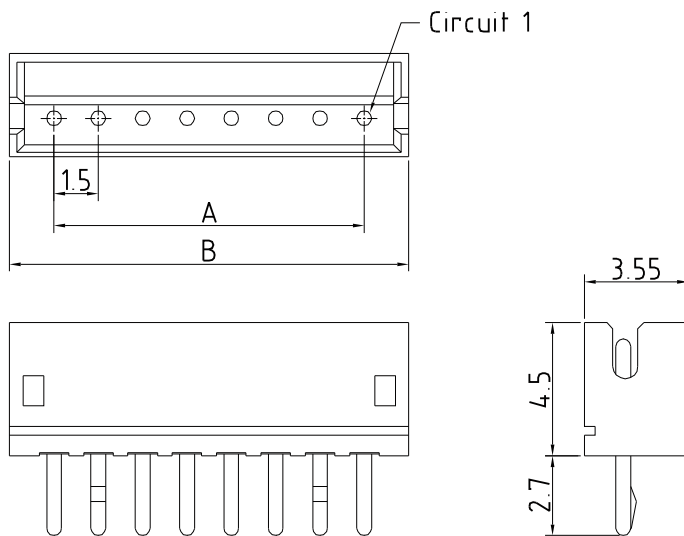
Features

Available Number of Circuits : 02 - 15

Material : Regular Thermoplastic 94V-0

Contact : 0.5mm(.020") Copper Alloy, Tin-plated

Mates with : IPCW150 Series Housing



P.C.B LAYOUT

Dimension and Order Information

| Circuits | Part No. | DIM.(mm) | |
|----------|--------------|----------|-------|
| | | A | B |
| 2 | IPCW150W12*V | 1.50 | 4.50 |
| 3 | IPCW150W13*V | 3.00 | 6.00 |
| 4 | IPCW150W14*V | 4.50 | 7.50 |
| 5 | IPCW150W15*V | 6.00 | 9.00 |
| 6 | IPCW150W16*V | 7.50 | 10.50 |
| 7 | IPCW150W17*V | 9.00 | 12.00 |
| 8 | IPCW150W18*V | 10.50 | 13.50 |
| 9 | IPCW150W19*V | 12.00 | 15.00 |
| 10 | IPCW150W1A*V | 13.50 | 16.50 |
| 11 | IPCW150W1B*V | 15.00 | 18.00 |
| 12 | IPCW150W1C*V | 16.50 | 19.50 |
| 13 | IPCW150W1D*V | 18.00 | 21.00 |
| 14 | IPCW150W1E*V | 19.50 | 22.50 |
| 15 | IPCW150W1F*V | 21.00 | 24.00 |

Wafer

Right Angle

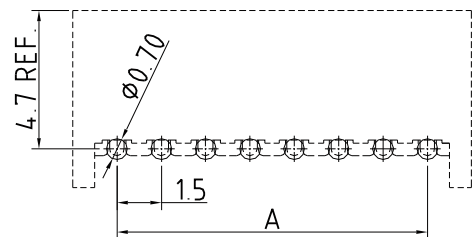
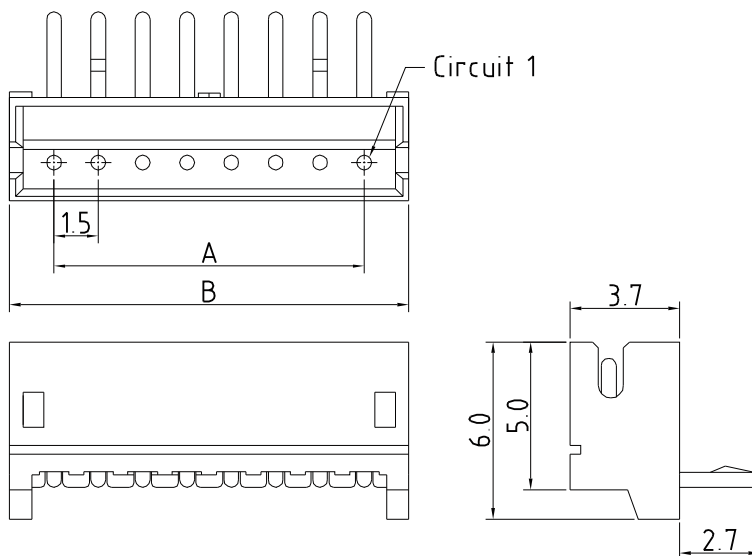
Features

Available Number of Circuits : 02 - 15

Material : Regular Thermoplastic 94V-0

Contact : 0.5mm(.020") Copper Alloy, Tin-plated

Mates with : IPCW150 Series Housing



P.C.B LAYOUT

Dimension and Order Information

| Circuits | Part No. | DIM.(mm) | |
|----------|--------------|----------|-------|
| | | A | B |
| 2 | IPCW150W12*R | 1.50 | 4.50 |
| 3 | IPCW150W13*R | 3.00 | 6.00 |
| 4 | IPCW150W14*R | 4.50 | 7.50 |
| 5 | IPCW150W15*R | 6.00 | 9.00 |
| 6 | IPCW150W16*R | 7.50 | 10.50 |
| 7 | IPCW150W17*R | 9.00 | 12.00 |
| 8 | IPCW150W18*R | 10.50 | 13.50 |
| 9 | IPCW150W19*R | 12.00 | 15.00 |
| 10 | IPCW150W1A*R | 13.50 | 16.50 |
| 11 | IPCW150W1B*R | 15.00 | 18.00 |
| 12 | IPCW150W1C*R | 16.50 | 19.50 |
| 13 | IPCW150W1D*R | 18.00 | 21.00 |
| 14 | IPCW150W1E*R | 19.50 | 22.50 |
| 15 | IPCW150W1F*R | 21.00 | 24.00 |

1.50mm Pitch Wire To Board Connector

Unit : mm

Wafer Vertical SMT Type

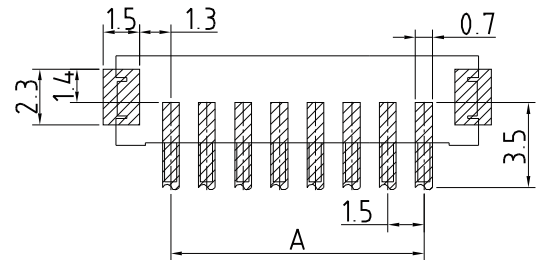
Features

Available Number of Circuits : 02 - 15

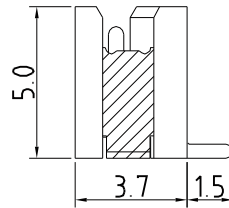
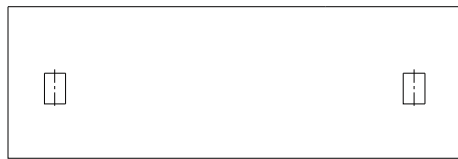
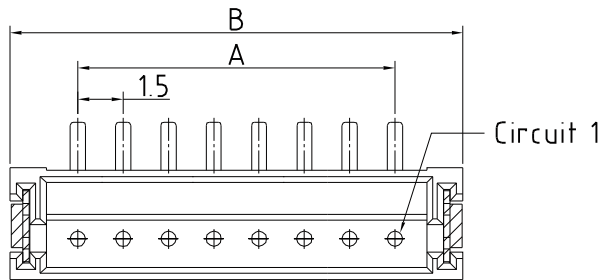
Material : High Temperature Thermoplastic 94V-0

Contact: 0.5mm(.020") Copper Alloy, Tin-plated

Mates with : IPCW150 Series Housing



P.C.B LAYOUT



Dimension and Order Information

| Circuits | Part No. | DIM.(mm) | |
|----------|--------------|----------|-------|
| | | A | B |
| 2 | IPCW150W12*S | 1.50 | 6.00 |
| 3 | IPCW150W13*S | 3.00 | 7.50 |
| 4 | IPCW150W14*S | 4.50 | 9.00 |
| 5 | IPCW150W15*S | 6.00 | 10.50 |
| 6 | IPCW150W16*S | 7.50 | 12.00 |
| 7 | IPCW150W17*S | 9.00 | 13.50 |
| 8 | IPCW150W18*S | 10.50 | 15.00 |
| 9 | IPCW150W19*S | 12.00 | 16.50 |
| 10 | IPCW150W1A*S | 13.50 | 18.00 |
| 11 | IPCW150W1B*S | 15.00 | 19.50 |
| 12 | IPCW150W1C*S | 16.50 | 21.00 |
| 13 | IPCW150W1D*S | 18.00 | 22.50 |
| 14 | IPCW150W1E*S | 19.50 | 24.00 |
| 15 | IPCW150W1F*S | 21.00 | 25.50 |

Wafer Right Angle SMT Type

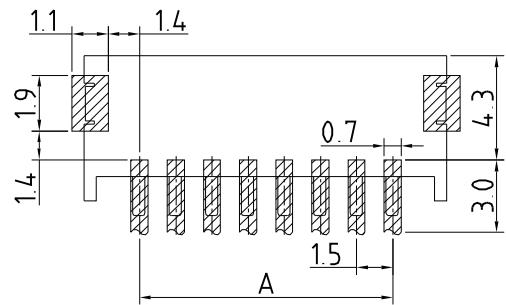
Features

Available Number of Circuits : 02 - 15

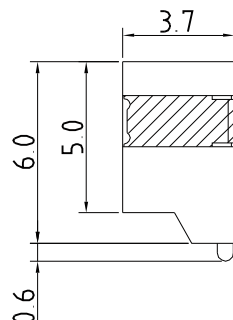
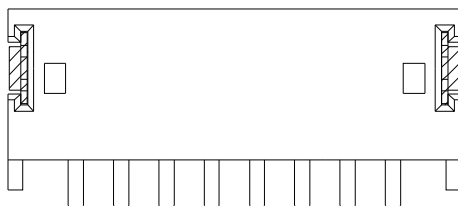
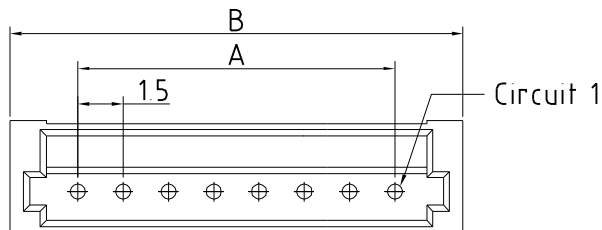
Material : High Temperature Thermoplastic 94V-0

Contact: 0.5mm(.020") Copper Alloy, Tin-plated

Mates with : IPCW150 Series Housing



P.C.B LAYOUT



Dimension and Order Information

| Circuits | Part No. | DIM.(mm) | |
|----------|--------------|----------|-------|
| | | A | B |
| 2 | IPCW150W12*M | 1.50 | 6.00 |
| 3 | IPCW150W13*M | 3.00 | 7.50 |
| 4 | IPCW150W14*M | 4.50 | 9.00 |
| 5 | IPCW150W15*M | 6.00 | 10.50 |
| 6 | IPCW150W16*M | 7.50 | 12.00 |
| 7 | IPCW150W17*M | 9.00 | 13.50 |
| 8 | IPCW150W18*M | 10.50 | 15.00 |
| 9 | IPCW150W19*M | 12.00 | 16.50 |
| 10 | IPCW150W1A*M | 13.50 | 18.00 |
| 11 | IPCW150W1B*M | 15.00 | 19.50 |
| 12 | IPCW150W1C*M | 16.50 | 21.00 |
| 13 | IPCW150W1D*M | 18.00 | 22.50 |
| 14 | IPCW150W1E*M | 19.50 | 24.00 |
| 15 | IPCW150W1F*M | 21.00 | 25.50 |

单击下面可查看定价，库存，交付和生命周期等信息

[>>INCP](#)