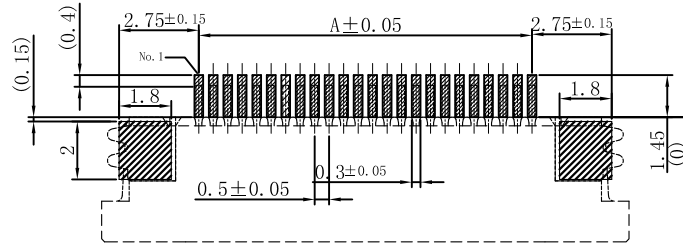
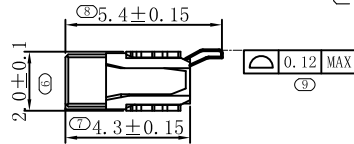
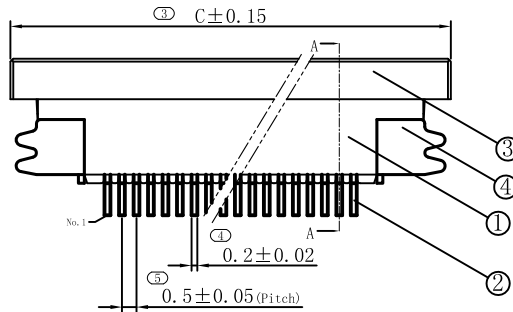
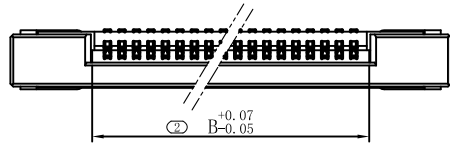
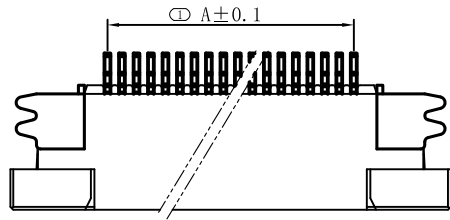
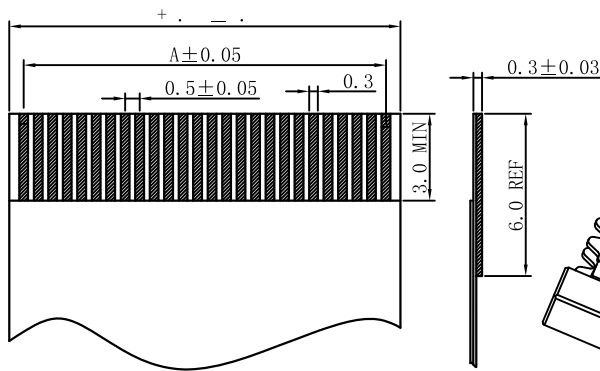


Engineer Drawing



通用线路板
RECOMMENDED PCB LAYOUT



适用FPC寸法
APPLICABLE FPC

NOTES:

1. MATERIAL SEE TABLE;
2. PLATING SEE TABLE;
3. RATING
- 3-1. OPERATING TEMPERATURE: -25~85°C
- 3-2. OPERATING VOLTAGE: 125V AC/DC
- 3-3. CURRENT RATING: 1.0 AMPS
- 3-4. DIELECTRIC WITHSTANDING VOLTAGE: 500V AC/Minute;
- 3-5. INSULATION RESISTANCE: 500MΩ Min;
- 3-6. CONTACT RESISTANCE: 0.03Ω Max;

IPFP05201 ** * * * *
① ② ③ ④ ⑤ ⑥

- ① Series Type
- ② Pin code.
- ③ Plating
- ④ Company code.
- ⑤ Packing
- ⑥ Lead Free HF

| CKT | Dim A | Dim B | Dim C | CKT | Dim A | Dim B | Dim C |
|-----|-------|-------|-------|-----|-------|-------|-------|
| 4 | 1.5 | 2.56 | 8.2 | 33 | 16 | 17.06 | 22.7 |
| 5 | 2 | 3.06 | 8.7 | 34 | 16.5 | 17.56 | 23.2 |
| 6 | 2.5 | 3.56 | 9.2 | 35 | 17 | 18.06 | 23.7 |
| 7 | 3 | 4.06 | 9.7 | 36 | 17.5 | 18.56 | 24.2 |
| 8 | 3.5 | 4.56 | 10.2 | 37 | 18 | 19.06 | 24.7 |
| 9 | 4 | 5.06 | 10.7 | 38 | 18.5 | 19.56 | 25.2 |
| 10 | 4.5 | 5.56 | 11.2 | 39 | 19 | 20.06 | 25.7 |
| 11 | 5 | 6.06 | 11.7 | 40 | 19.5 | 20.56 | 26.2 |
| 12 | 5.5 | 6.56 | 12.2 | 41 | 20 | 21.06 | 26.7 |
| 13 | 6 | 7.06 | 12.7 | 42 | 20.5 | 21.56 | 27.2 |
| 14 | 6.5 | 7.56 | 13.2 | 43 | 21 | 22.06 | 27.7 |
| 15 | 7 | 8.06 | 13.7 | 44 | 21.5 | 22.56 | 28.2 |
| 16 | 7.5 | 8.56 | 14.2 | 45 | 22 | 23.06 | 28.7 |
| 17 | 8 | 9.06 | 14.7 | 46 | 22.5 | 23.56 | 29.2 |
| 18 | 8.5 | 9.56 | 15.2 | 47 | 23 | 24.06 | 29.7 |
| 19 | 9 | 10.06 | 15.7 | 48 | 23.5 | 24.56 | 30.2 |
| 20 | 9.5 | 10.56 | 16.2 | 49 | 24 | 25.06 | 30.7 |
| 21 | 10 | 11.06 | 16.7 | 50 | 24.5 | 25.56 | 31.2 |
| 22 | 10.5 | 11.56 | 17.2 | 51 | 25 | 26.06 | 31.7 |
| 23 | 11 | 12.06 | 17.7 | 52 | 25.5 | 26.56 | 32.2 |
| 24 | 11.5 | 12.56 | 18.2 | 53 | 26 | 27.06 | 32.7 |
| 25 | 12 | 13.06 | 18.7 | 54 | 26.5 | 27.56 | 33.2 |
| 26 | 12.5 | 13.56 | 19.2 | 55 | 27 | 28.06 | 33.7 |
| 27 | 13 | 14.06 | 19.7 | 56 | 27.5 | 28.56 | 34.2 |
| 28 | 13.5 | 14.56 | 20.2 | 57 | 28 | 29.06 | 34.7 |
| 29 | 14 | 15.06 | 20.7 | 58 | 28.5 | 29.56 | 35.2 |
| 30 | 14.5 | 15.56 | 21.2 | 59 | 29 | 30.06 | 35.7 |
| 31 | 15 | 16.06 | 21.7 | 60 | 29.5 | 30.56 | 36.2 |
| 32 | 15.5 | 16.56 | 22.2 | | | | |

| | | | | | |
|------------------------|----------------------------|--|----------------------------------|--------------------------|--|
| TOLERANCE | | www.i-ncp.com | | | |
| 0.X ±0.25 X° ±3° | | | | PART NO. IPFP05201 xx | TITLE: 0.5 FPC CONN ZIF SMT DRAWER H=2.0 LOWER CONTACT |
| 0.XX ±0.12 | | | | DRAWING NO. IPFP05201 | |
| 0.XXX ±0.05 X.X° ±0.5° | UNLESS OTHERWISE SPECIFIED | SHEET 1 OF 1 | UNITS mm SCALE 1:1 REV. 01 | | |

单击下面可查看定价，库存，交付和生命周期等信息

[>>INCP](#)