

RoHS+HF

Engineer Drawing

NOTE:

1.MATERIAL SPECIFICATION:

1-1.HOUSING: LCP,UL94V-0

1-2.CONTACTS: PHOSPHOR BRONZE

1-3.SOLDER TABS: PHOSPHOR BRONZE

2.PLATING SPECIFICATION:

2-1.CONTACTS:

TIN/GOLD FLASH PLATED OVER ALL.

2-2.SOLDER TABS:

Matte Tin PLATED OVER ALL.

3.MECHANICAL PERFORMANCE:

3-1.RETENTIVITY FORCE: 0.05KGF/pin min

3-2.DURABILITY: 10 CYCLES.

4.ELECTRICAL PERFORMANCE:

4-1.CURRENT RATING: 1.5A AC/DC

RATED VOLTAGE : 50V AC/DC

4-2.CONTACT RESISTANCE: 20 mΩ MAX

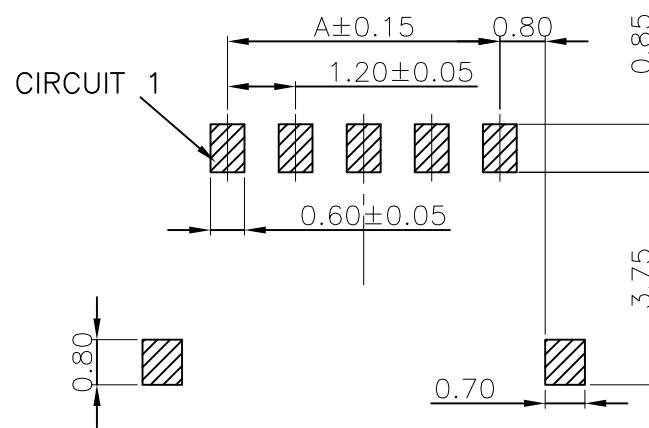
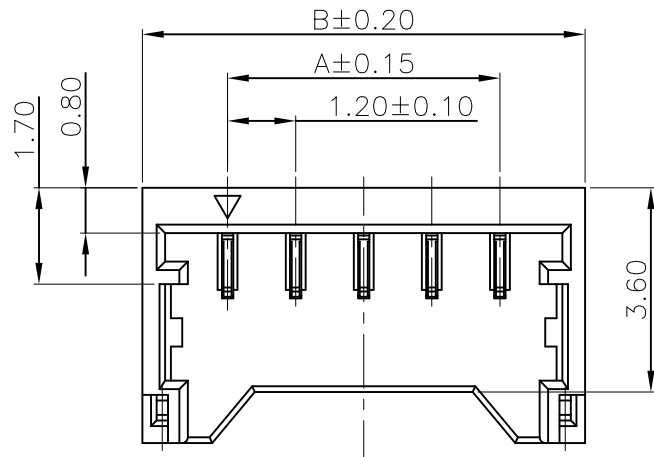
4-3.INSULATION RESISTANCE: 100MΩ Min

4-4.DIELECTRIC WITHSTANDING : 500V

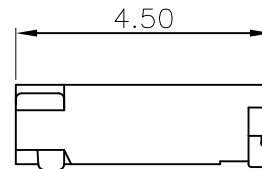
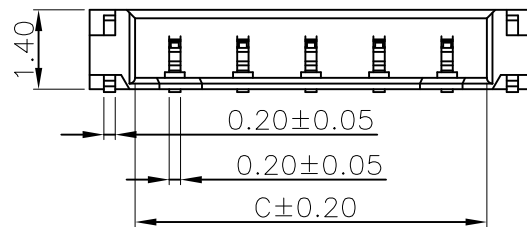
5.ENVIRONMENTAL PERFORMANCE:

5-1.OPERATING TEMPERATURE: -25°C~+85°C.

6.PACKAGE SPEC: REEL



P.C.B LAYOUT
(TOP VIEW)



- IPCW120W ** * * * * *
- ① ② ③ ④ ⑤ ⑥ ⑦
- ① Series Type
 - ② Pin code.
 - ③ Material code
 - ④ Appereace code
 - ⑤ Ineral code
 - ⑥ Company code.
 - ⑦ Other code.

Circuit	Dimensions (mm)		
	A	B	C
02	---	4.20	2.65
03	2.40	5.40	3.85
04	3.60	6.60	5.05
05	4.80	7.80	6.25
06	6.00	9.00	7.45
07	7.20	10.20	8.65
10	10.80	13.80	12.25

TOLERANCE

.X ± 0.35

.XX ± 0.25

.XXX ± 0.0

ANGLES ±6°

UNLESS OTHERWISE SPECIFIED

NCP

www.i-ncp.com

PART NO.
IPCW120W xx

TITLE:

Pitch 1.20mm MX 90° SMT

DRAWING NO.
IPCW120W06

Single row Wafer



SHEET 1 OF 1

UNITS mm

SCALE 1:1

REV. 01

单击下面可查看定价，库存，交付和生命周期等信息

[>>INCP](#)