

Ultra Low Quiescent Current Linear Voltage Regulator

TLS810D1

TLS810D1EJV50
TLS810D1LDV50

Linear Voltage Regulator

Data Sheet

Rev. 1.1, 2015-11-02

Automotive Power

TLS810D1

TLS810D1EJ/LDV50



1 Overview

Features

- Ultra Low Quiescent Current of 9 μ A
- Wide Input Voltage Range of 2.75 V to 42 V
- Output Current Capacity up to 100 mA
- Off Mode Current Less than 1 μ A
- Low Drop Out Voltage of typ. 200 mV @ 100 mA
- Output Current Limit Protection
- Overtemperature Shutdown
- Enable
- Reset
- Available in PG-DSO-8 EP Package
- Available in PG-TSON-10 Package
- Wide Temperature Range
- Green Product (RoHS Compliant)
- AEC Qualified

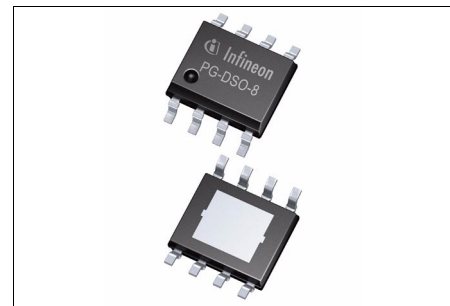


Figure 1 PG-DSO-8 EP

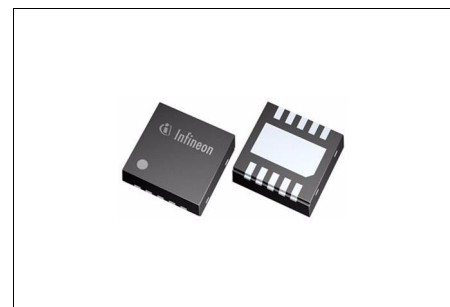


Figure 2 PG-TSON-10

Type	Package	Marking
TLS810D1EJV50	PG-DSO-8 EP	810D1V50
TLS810D1LDV50	PG-TSON-10	810D1V50

Overview

Description

The TLS810D1 is a linear voltage regulator featuring wide input voltage range, low drop out voltage and ultra low quiescent current.

With an input voltage range of 2.75 V to 42 V and ultra low quiescent of only 9 μ A, the regulator is perfectly suitable for automotive or any other supply systems connected permanently to the battery.

The TLS810D1EJ/LDV50 is the fixed 5 V output version with an accuracy of 2 % and output current capability up to 100 mA.

The new regulation concept implemented in TLS810D1 combines fast regulation and very good stability while requiring only a small ceramic capacitor of 1 μ F at the output.

The tracking region starts already at input voltages of 2.75 V (extended operating range). This makes the TLS810D1 also suitable to supply automotive systems that need to operate during cranking condition.

Internal protection features like output current limitation and overtemperature shutdown are implemented to protect the device against immediate damage due to failures like output short circuit to GND, over-current and over-temperature.

The device can be switched on and off by the Enable feature. When the device is switched off, the current consumption is typically less than 1 μ A.

The output voltage is supervised by the Reset feature, including undervoltage reset and delayed reset release at power-on.

Choosing External Components

An input capacitor C_I is recommended to compensate line influences. The output capacitor C_O is necessary for the stability of the regulating circuit. Stability is guaranteed at values $C_O \geq 1 \mu$ F and an $ESR \leq 100 \Omega$ within the whole operating range.

Pin Configuration

3 Pin Configuration

3.1 Pin Assignment in PG-DSO-8 EP Package

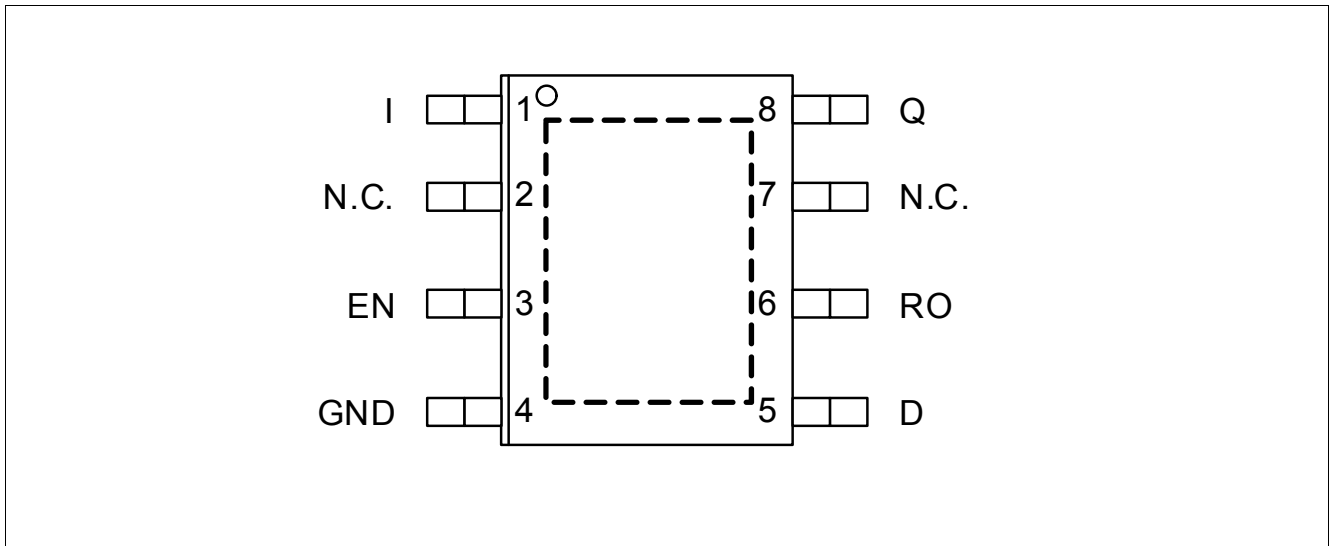


Figure 4 Pin Configuration TLS810D1 in PG-DSO-8 EP package

3.2 Pin Definitions and Functions in PG-DSO-8 EP Package

Pin	Symbol	Function
1	I	Input It is recommended to place a small ceramic capacitor (e.g. 100 nF) to GND, close to the IC terminals, in order to compensate line influences.
2	N.C.	Not connected
3	EN	Enable Integrated pull-down resistor. Enable the IC with high level input signal. Disable the IC with low level input signal.
4	GND	Ground
5	D	Reset Delay Timing Connect a ceramic capacitor to GND for adjusting the reset delay time. Leave open if the reset function is not needed.
6	RO	Reset Output Integrated pull-up resistor. Open collector output. Leave open if the reset function is not needed.
7	N.C.	Not connected

Pin Configuration

Pin	Symbol	Function
8	Q	Output Connect an output capacitor C_Q to GND close to the IC's terminals, respecting the values specified for its capacitance and ESR in Table 2 "Functional Range" on Page 9.
Pad	-	Exposed Pad Connect to heatsink area. Connect to GND.

3.3 Pin Assignment in PG-TSON-10 Package

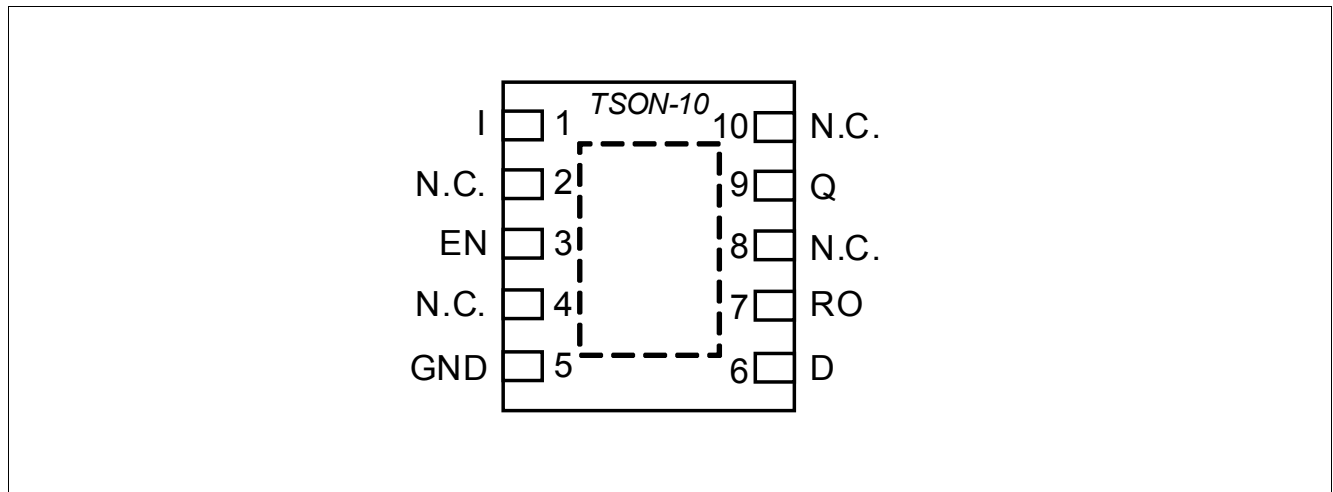


Figure 5 Pin Configuration TLS810D1 in PG-TSON-10 package

3.4 Pin Definitions and Functions in PG-TSON-10 Package

Pin	Symbol	Function
1	I	Input It is recommended to place a small ceramic capacitor (e.g. 100 nF) to GND, close to the IC terminals, in order to compensate line influences.
2	N.C.	Not connected
3	EN	Enable Integrated pull-down resistor. Enable the IC with high level input signal. Disable the IC with low level input signal.
4	N.C.	Not connected
5	GND	Ground

Pin Configuration

Pin	Symbol	Function
6	D	Reset Delay Timing Connect a ceramic capacitor to GND for adjusting the reset delay time. Leave open if the reset function is not needed.
7	RO	Reset Output Integrated pull-up resistor. Open collector output. Leave open if the reset function is not needed.
8	N.C.	Not connected
9	Q	Output Connect an output capacitor C_Q to GND close to the IC's terminals, respecting the values specified for its capacitance and ESR in Table 2 "Functional Range" on Page 9 .
10	N.C.	Not connected
Pad	-	Exposed Pad Connect to heatsink area. Connect to GND.

General Product Characteristics

4 General Product Characteristics

4.1 Absolute Maximum Ratings

Table 1 Absolute Maximum Ratings¹⁾

$T_j = -40\text{ °C}$ to $+150\text{ °C}$; all voltages with respect to ground (unless otherwise specified)

Parameter	Symbol	Values			Unit	Note or Test Condition	Number
		Min.	Typ.	Max.			
Voltage Input I, Enable EN							
Voltage	V_I, V_{EN}	-0.3	-	45	V	-	P_4.1.1
Voltage Output Q							
Voltage	V_Q	-0.3	-	7	V	-	P_4.1.2
Reset Output RO, Reset Delay D							
Voltage	V_{RO}, V_D	-0.3	-	7	V	-	P_4.1.3
Temperatures							
Junction Temperature	T_j	-40	-	150	°C	-	P_4.1.4
Storage Temperature	T_{stg}	-55	-	150	°C	-	P_4.1.5
ESD Absorption							
ESD Susceptibility to GND	$V_{ESD,HBM}$	-2	-	2	kV	HBM ²⁾	P_4.1.6
ESD Susceptibility to GND	$V_{ESD,CDM}$	-750	-	750	V	CDM ³⁾ at all pins	P_4.1.7

1) Not subject to production testing, specified by design.

2) ESD susceptibility, HBM according to ANSI/ESDA/JEDEC JS001 (1.5 kV, 100 pF)

3) ESD susceptibility, Charged Device Model “CDM” according JEDEC JESD22-C101

Notes

1. Stresses above the ones listed here may cause permanent damage to the device. Exposure to absolute maximum rating conditions for extended periods may affect device reliability.
2. Integrated protection functions are designed to prevent IC destruction under fault conditions described in the data sheet. Fault conditions are considered as “outside” normal operating range. Protection functions are not designed for continuous repetitive operation.

General Product Characteristics

4.2 Functional Range

Table 2 Functional Range

Parameter	Symbol	Values			Unit	Note or Test Condition	Number
		Min.	Typ.	Max.			
Input Voltage Range	V_I	$V_{Q,nom} + V_{dr}$	-	42	V	- ¹⁾	P_4.2.1
Extended Input Voltage Range	$V_{I,ext}$	2.75	-	42	V	- ²⁾	P_4.2.2
Output Capacitor	C_Q	1	-	-	μ F	- ³⁾⁴⁾	P_4.2.3
Output Capacitor's ESR	ESR(C_Q)	-	-	100	Ω	- ⁴⁾	P_4.2.4
Junction temperature	T_j	-40	-	150	$^{\circ}$ C	-	P_4.2.5

- 1) Output current is limited internally and depends on the input voltage, see Electrical Characteristics for more details.
- 2) When V_I is between $V_{I,ext,min}$ and $V_{Q,nom} + V_{dr}$, $V_Q = V_I - V_{dr}$. When V_I is below $V_{I,ext,min}$, V_Q can drop down to 0 V.
- 3) The minimum output capacitance requirement is applicable for a worst case capacitance tolerance of 30%.
- 4) Not subject to production testing, specified by design.

Note: Within the functional or operating range, the IC operates as described in the circuit description. The electrical characteristics are specified within the conditions given in the Electrical Characteristics table.

General Product Characteristics

4.3 Thermal Resistance

Note: This thermal data was generated in accordance with JEDEC JESD51 standards. For more information, go to www.jedec.org.

Table 3 Thermal Resistance TLS810D1 in PG-DSO-8 EP Package

Parameter	Symbol	Values			Unit	Note or Test Condition	Number
		Min.	Typ.	Max.			
Package Version							
Junction to Case ¹⁾	R_{thJC}	–	19	–	K/W	–	P_4.3.1
Junction to Ambient	R_{thJA}	–	51	–	K/W	2s2p board ²⁾	P_4.3.2
Junction to Ambient	R_{thJA}	–	167	–	K/W	1s0p board, footprint only ³⁾	P_4.3.3
Junction to Ambient	R_{thJA}	–	71	–	K/W	1s0p board, 300 mm ² heatsink area on PCB ³⁾	P_4.3.4
Junction to Ambient	R_{thJA}	–	60	–	K/W	1s0p board, 600 mm ² heatsink area on PCB ³⁾	P_4.3.5

- 1) Not subject to production test, specified by design
- 2) Specified R_{thJA} value is according to Jedec JESD51-2,-5,-7 at natural convection on FR4 2s2p board; The Product (Chip+Package) was simulated on a 76.2 x 114.3 x 1.5 mm³ board with 2 inner copper layers (2 x 70µm Cu, 2 x 35µm Cu). Where applicable a thermal via array under the exposed pad contacted the first inner copper layer.
- 3) Specified R_{thJA} value is according to JEDEC JESD 51-3 at natural convection on FR4 1s0p board; The Product (Chip+Package) was simulated on a 76.2 x 114.3 x 1.5 mm³ board with 1 copper layer (1 x 70µm Cu).

Table 4 Thermal Resistance TLS810D1 in PG-TSON-10 Package

Parameter	Symbol	Values			Unit	Note or Test Condition	Number
		Min.	Typ.	Max.			
Package Version							
Junction to Case ¹⁾	R_{thJC}	–	13	–	K/W	–	P_4.3.6
Junction to Ambient	R_{thJA}	–	60	–	K/W	2s2p board ²⁾	P_4.3.7
Junction to Ambient	R_{thJA}	–	184	–	K/W	1s0p board, footprint only ³⁾	P_4.3.8
Junction to Ambient	R_{thJA}	–	75	–	K/W	1s0p board, 300 mm ² heatsink area on PCB ³⁾	P_4.3.9
Junction to Ambient	R_{thJA}	–	64	–	K/W	1s0p board, 600 mm ² heatsink area on PCB ³⁾	P_4.3.10

- 1) Not subject to production test, specified by design
- 2) Specified R_{thJA} value is according to Jedec JESD51-2,-5,-7 at natural convection on FR4 2s2p board; The Product (Chip+Package) was simulated on a 76.2 x 114.3 x 1.5 mm³ board with 2 inner copper layers (2 x 70µm Cu, 2 x 35µm Cu). Where applicable a thermal via array under the exposed pad contacted the first inner copper layer.
- 3) Specified R_{thJA} value is according to JEDEC JESD 51-3 at natural convection on FR4 1s0p board; The Product (Chip+Package) was simulated on a 76.2 x 114.3 x 1.5 mm³ board with 1 copper layer (1 x 70µm Cu).

Block Description and Electrical Characteristics

5 Block Description and Electrical Characteristics

5.1 Voltage Regulation

The output voltage V_Q is divided by a resistor network. This fractional voltage is compared to an internal voltage reference and the pass transistor is driven accordingly.

The control loop stability depends on the output capacitor C_Q , the load current, the chip temperature and the internal circuit structure. To ensure stable operation, the output capacitor's capacitance and its equivalent series resistor ESR requirements given in "Functional Range" on Page 9 have to be maintained. For details see the typical performance graph **Output Capacitor Series Resistor ESR(C_Q) versus Output Current I_Q** . Since the output capacitor is used to buffer load steps, it should be sized according to the application's needs.

An input capacitor C_I is not required for stability, but is recommended to compensate line fluctuations. An additional reverse polarity protection diode and a combination of several capacitors for filtering should be used, in case the input is connected directly to the battery line. Connect the capacitors close to the regulator terminals.

In order to prevent overshoots during start-up, a smooth ramping up function is implemented. This ensures almost no overshoots during start-up, mostly independent from load and output capacitance.

Whenever the load current exceeds the specified limit, e.g. in case of a short circuit, the output current is limited and the output voltage decreases.

The overtemperature shutdown circuit prevents the IC from immediate destruction under fault conditions (e.g. output continuously short-circuit) by switching off the power stage. After the chip has cooled down, the regulator restarts. This oscillatory thermal behaviour causes the junction temperature to exceed the maximum rating of 150°C and can significantly reduce the IC's lifetime.

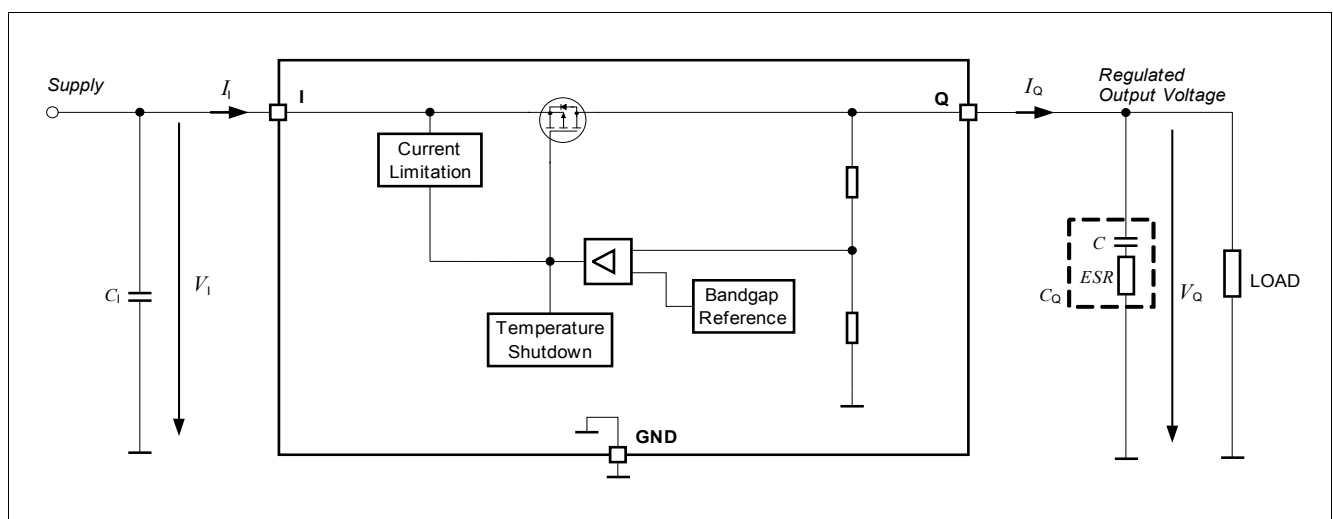


Figure 6 Block Diagram Voltage Regulation

Block Description and Electrical Characteristics

Table 5 Electrical Characteristics

$T_j = -40\text{ °C}$ to $+150\text{ °C}$, $V_I = 13.5\text{ V}$, all voltages with respect to ground (unless otherwise specified).

Typical values are given at $T_j = 25\text{ °C}$, $V_I = 13.5\text{ V}$.

Parameter	Symbol	Values			Unit	Note or Test Condition	Number
		Min.	Typ.	Max.			
Output Voltage Precision	V_Q	4.90	5.00	5.10	V	$50\text{ }\mu\text{A} \leq I_Q \leq 100\text{ mA}$, $5.7\text{ V} \leq V_I \leq 28\text{ V}$	P_5.1.1
Output Voltage Precision	V_Q	4.90	5.00	5.10	V	$50\text{ }\mu\text{A} \leq I_Q \leq 50\text{ mA}$, $5.7\text{ V} \leq V_I \leq 42\text{ V}$	P_5.1.2
Output Current Limitation	$I_{Q,lim}$	110	190	260	mA	$0\text{ V} \leq V_Q \leq V_{Q,nom} - 0.1\text{ V}$	P_5.1.3
Line Regulation steady-state	$\Delta V_{Q,line}$	-	1	20	mV	$I_Q = 1\text{ mA}$, $6\text{ V} \leq V_I \leq 32\text{ V}$	P_5.1.4
Load Regulation steady-state	$\Delta V_{Q,load}$	-20	-1	-	mV	$V_I = 6\text{ V}$, $50\text{ }\mu\text{A} \leq I_Q \leq 100\text{ mA}$	P_5.1.5
Dropout Voltage ¹⁾ $V_{dr} = V_I - V_Q$	V_{dr}	-	200	550	mV	$I_Q = 100\text{ mA}$	P_5.1.6
Ripple Rejection ²⁾	$PSRR$	-	55	-	dB	$I_Q = 50\text{ mA}$, $f_{ripple} = 100\text{ Hz}$, $V_{ripple} = 0.5\text{ V}_{p-p}$	P_5.1.7
Overtemperature Shutdown Threshold	$T_{j,sd}$	151	175	-	°C	T_j increasing	P_5.1.8
Overtemperature Shutdown Threshold Hysteresis	$T_{j,sdh}$	-	10	-	K	T_j decreasing	P_5.1.9

1) Measured when the output voltage V_Q has dropped 100 mV from the nominal value obtained at $V_I = 13.5\text{ V}$

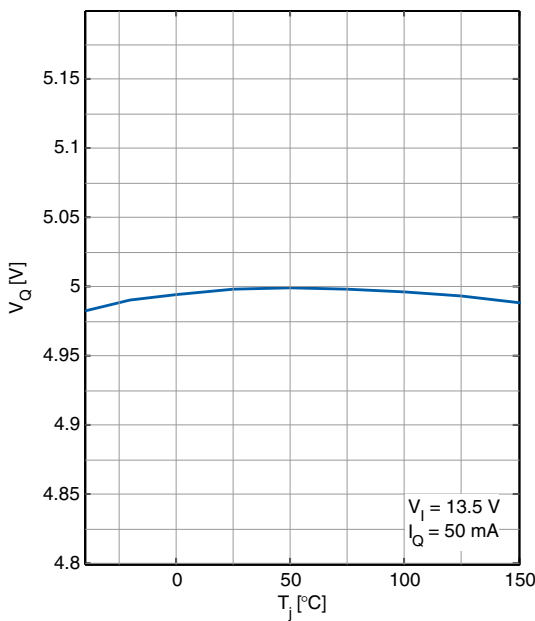
2) Not subject to production test, specified by design

Block Description and Electrical Characteristics

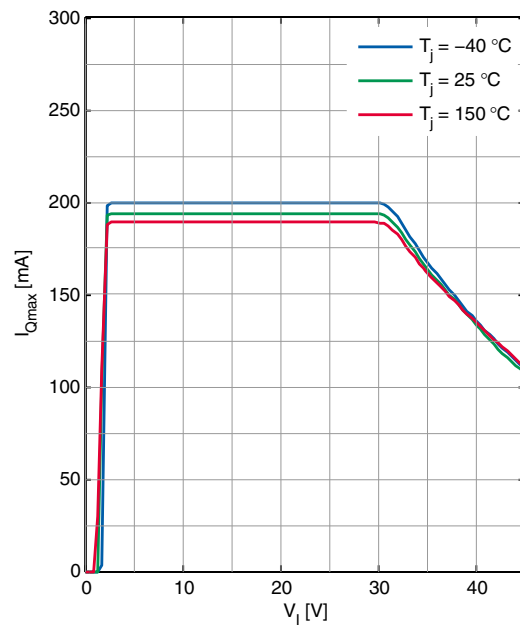
5.2 Typical Performance Characteristics Voltage Regulation

Typical Performance Characteristics

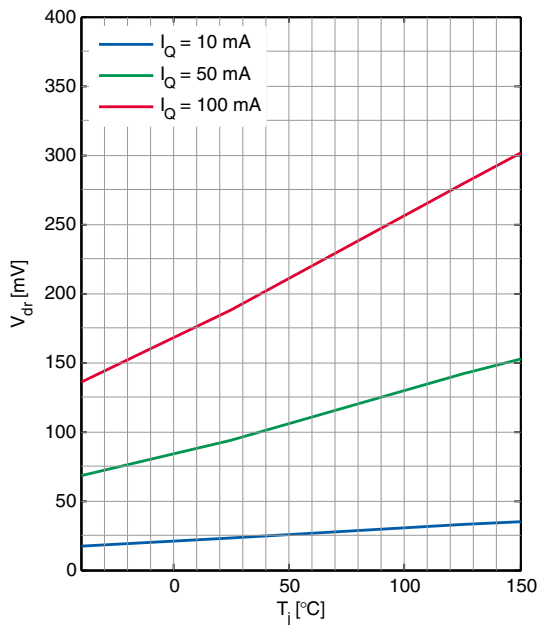
Output Voltage V_Q versus Junction Temperature T_j



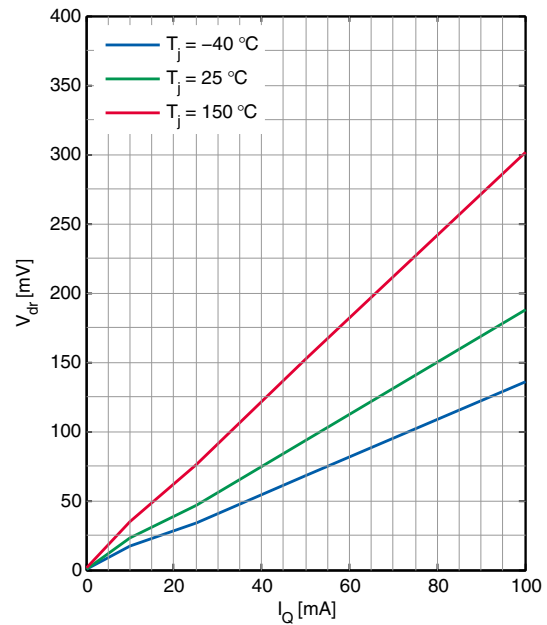
Output Current I_Q versus Input Voltage V_I



Dropout Voltage V_{dr} versus Junction Temperature T_j

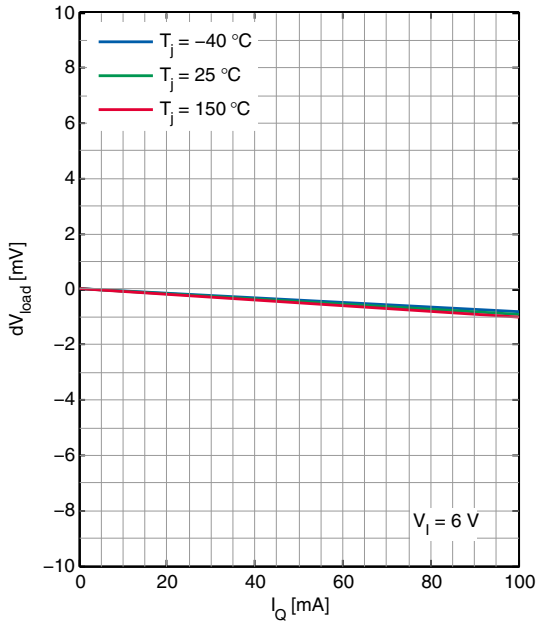


Dropout Voltage V_{dr} versus Output Current I_Q

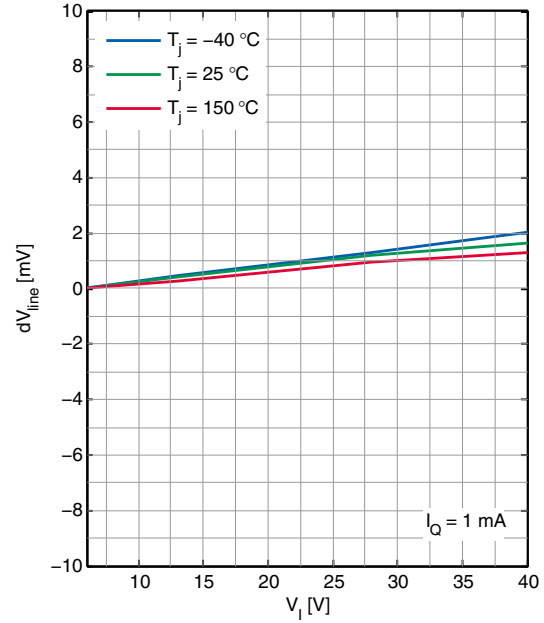


Block Description and Electrical Characteristics

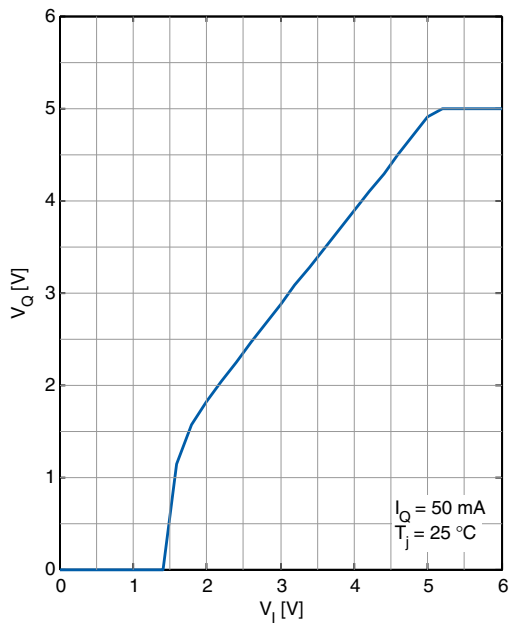
Load Regulation $\Delta V_{Q,load}$ versus Output Current I_Q



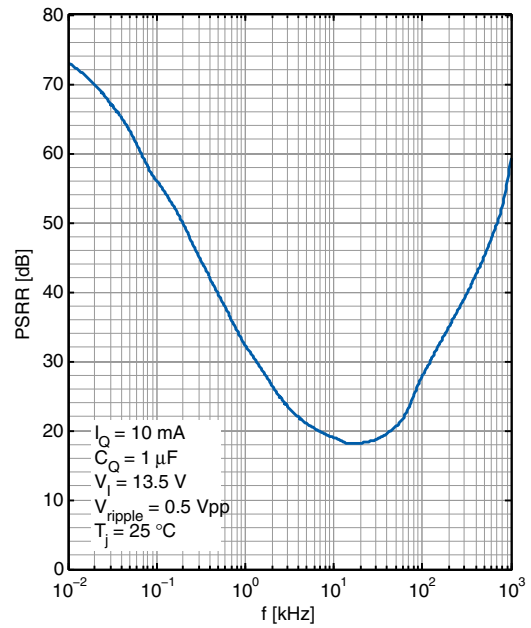
Line Regulation $\Delta V_{Q,line}$ versus Input Voltage V_I



Output Voltage V_Q versus Input Voltage V_I

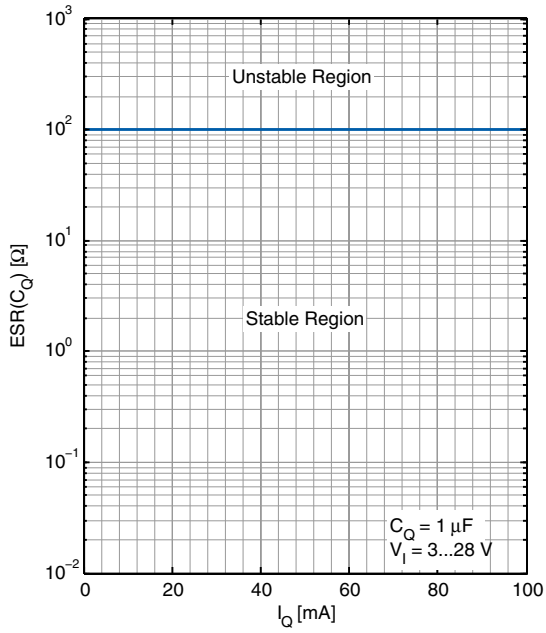


Power Supply Ripple Rejection $PSRR$ versus Ripple Frequency f_r



Block Description and Electrical Characteristics

Output Capacitor Series Resistor $ESR(C_Q)$ versus Output Current I_Q



Block Description and Electrical Characteristics

5.3 Current Consumption

Table 6 Electrical Characteristics Current Consumption

$T_j = -40\text{ °C}$ to $+150\text{ °C}$, $V_I = 13.5\text{ V}$ (unless otherwise specified).

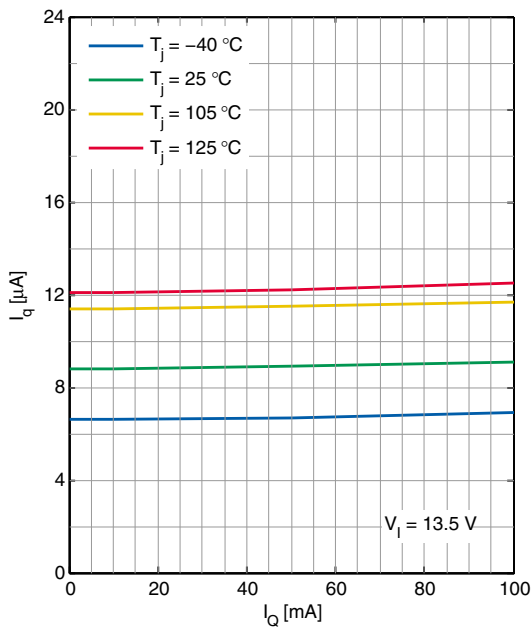
Parameter	Symbol	Values			Unit	Note or Test Condition	Number
		Min.	Typ.	Max.			
Current Consumption $I_q = I_I$	$I_{q,off}$	–	–	1	μA	$V_{EN} \leq 0.4\text{ V}$, $T_j < 105\text{ °C}$	P_5.3.1
Current Consumption $I_q = I_I - I_Q$	I_q	–	9	11.5	μA	$I_Q = 50\ \mu\text{A}$, $T_j = 25\text{ °C}$	P_5.3.2
Current Consumption $I_q = I_I - I_Q$	I_q	–	11.5	14.5	μA	$I_Q = 50\ \mu\text{A}$, $T_j < 105\text{ °C}$	P_5.3.3
Current Consumption $I_q = I_I - I_Q$	I_q	–	12	16	μA	$I_Q = 50\ \mu\text{A}$, $T_j < 125\text{ °C}$	P_5.3.4
Current Consumption $I_q = I_I - I_Q$	I_q	–	12	16	μA	$I_Q = 100\ \text{mA}$, $T_j < 125\text{ °C}$	P_5.3.5

Block Description and Electrical Characteristics

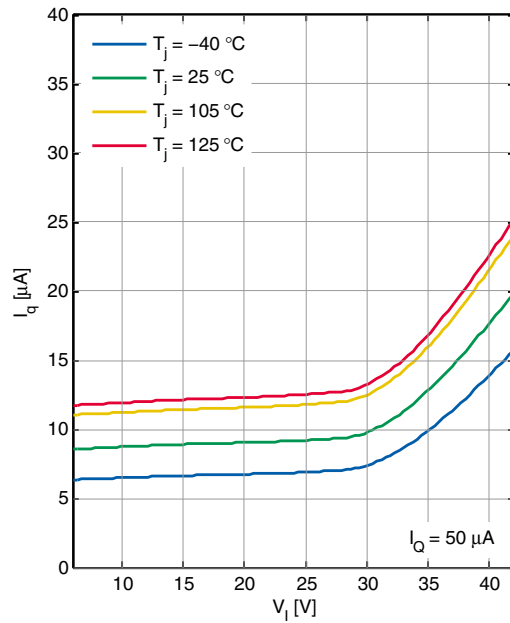
5.4 Typical Performance Characteristics Current Consumption

Typical Performance Characteristics

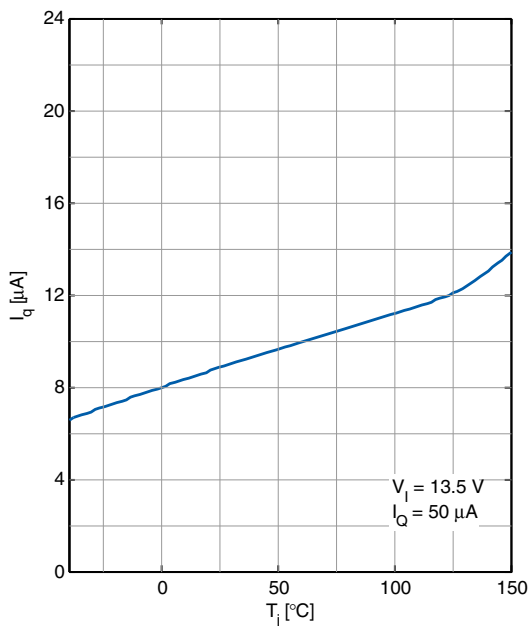
Current Consumption I_q versus Output Current I_Q



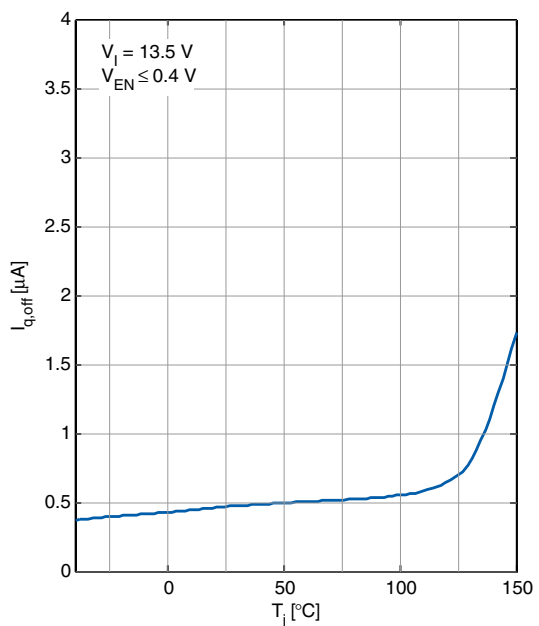
Current Consumption I_q versus Input Voltage V_1



Current Consumption I_q versus Junction Temperature T_j



Current Consumption in OFF mode $I_{q,off}$ versus Junction Temperature T_j



Block Description and Electrical Characteristics

5.5 Enable

The device can be switched on and off by the Enable feature. Connect a HIGH level as specified below (e.g. the battery voltage) to pin EN to enable the device; connect a LOW level as specified below (e.g. GND) to switch it off. The Enable function has a build-in hysteresis to avoid toggling between ON/OFF state, if signals with slow slopes are applied to the EN input.

Table 7 Electrical Characteristics Enable

$T_j = -40\text{ °C}$ to $+150\text{ °C}$, $V_I = 13.5\text{ V}$, all voltages with respect to ground (unless otherwise specified). Typical values are given at $T_j = 25\text{ °C}$, $V_I = 13.5\text{ V}$.

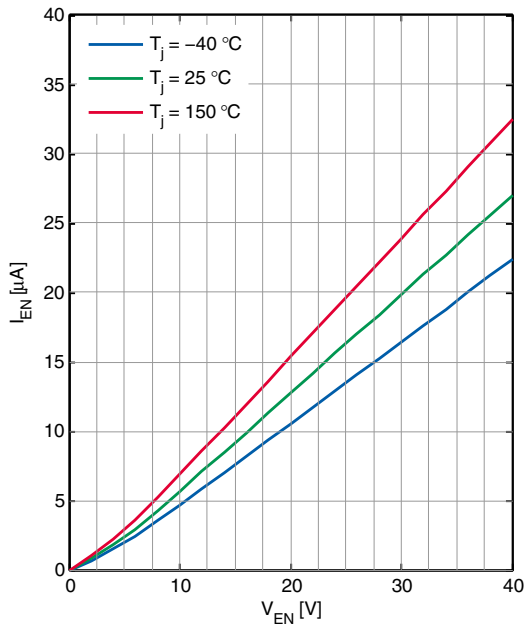
Parameter	Symbol	Values			Unit	Note or Test Condition	Number
		Min.	Typ.	Max.			
Enable High Level Input Voltage	$V_{EN,H}$	2	–	–	V	V_Q settled	P_5.5.1
Enable Low Level Input Voltage	$V_{EN,L}$	–	–	0.8	V	$V_Q \leq 0.1\text{ V}$	P_5.5.2
Enable High Level Input Current	$I_{EN,H}$	–	–	4	μA	$V_{EN} = 5\text{ V}$	P_5.5.3
Enable Internal Pull-down Resistor	R_{EN}	1.25	2	3.5	$\text{M}\Omega$	–	P_5.5.4

Block Description and Electrical Characteristics

5.6 Typical Performance Characteristics Enable

Typical Performance Characteristics

Enable Input Current I_{EN} versus Enable Input Voltage V_{EN}



Block Description and Electrical Characteristics

5.7 Reset Function

The reset function provides several features:

Output Undervoltage Reset

An output undervoltage condition is indicated by setting the Reset Output RO to “low”. This signal may be used to reset a microcontroller during low supply voltage.

Power-On Reset Delay Time

The power-on reset delay time t_{rd} allows microcontoller and oscillator to start up. This delay time is the time frame from exceeding the reset switching threshold V_{RT} until the reset is released by switching the reset output “RO” from “low” to “high”. The power-on reset delay time t_{rd} is defined by an external delay capacitor C_D connected to pin D charged by the delay capacitor charge current $I_{D,ch}$ starting from $V_D = 0 V$.

If the application needs a power-on reset delay time t_{rd} different from the value given in **Table 8**, the delay capacitor’s value can be derived from the specified value and the desired power-on delay time:

$$C_D = \frac{t_{rd,new}}{t_{rd}} \cdot 100 \text{ nF} \tag{5.1}$$

with

- C_D : capacitance of the delay capacitor to be chosen
- $t_{rd,new}$: desired power-on reset delay time
- t_{rd} : power-on reset delay time specified in this datasheet

For a precise calculation also take the delay capacitor’s tolerance into consideration.

Reset Reaction Time

The reset reaction rime t_{rr} considers the internal reaction time $t_{rr,int}$ and the discharge time $t_{rr,d}$ defined by the external delay capacitor C_D (see typical performance graph for details). Hence, the total reset reaction time becomes:

$$t_{rr} = t_{rr,int} + t_{rr,d} \tag{5.2}$$

with

- t_{rr} : reset reaction time
- $t_{rr,int}$: internal reset reaction time
- $t_{rr,d}$: reset discharge

Optional Reset Output Pull-Up Resistor $R_{RO,ext}$

The Reset Output RO is an open collector output with an integrated pull-up resistor. If needed, an external pull-up resistor to the output Q can be added. In **Table 8** a minimum value for the external resistor $R_{RO,ext}$ is given.

Block Description and Electrical Characteristics

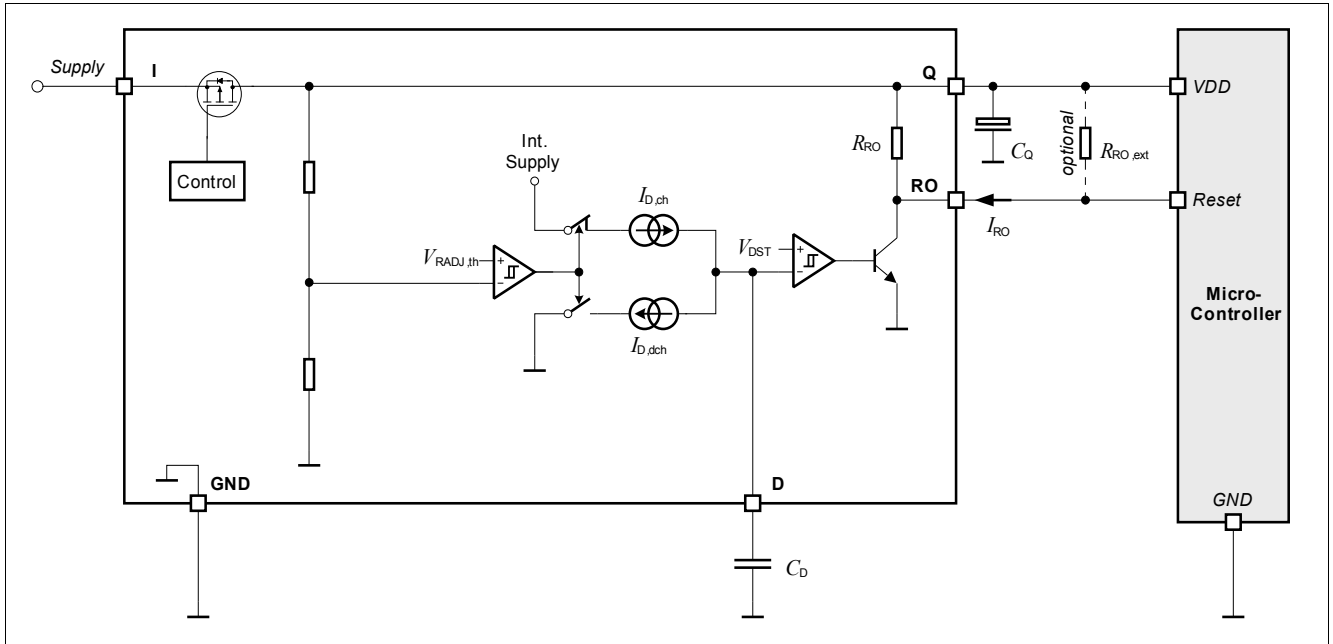


Figure 7 Block Diagram Reset Function

Block Description and Electrical Characteristics

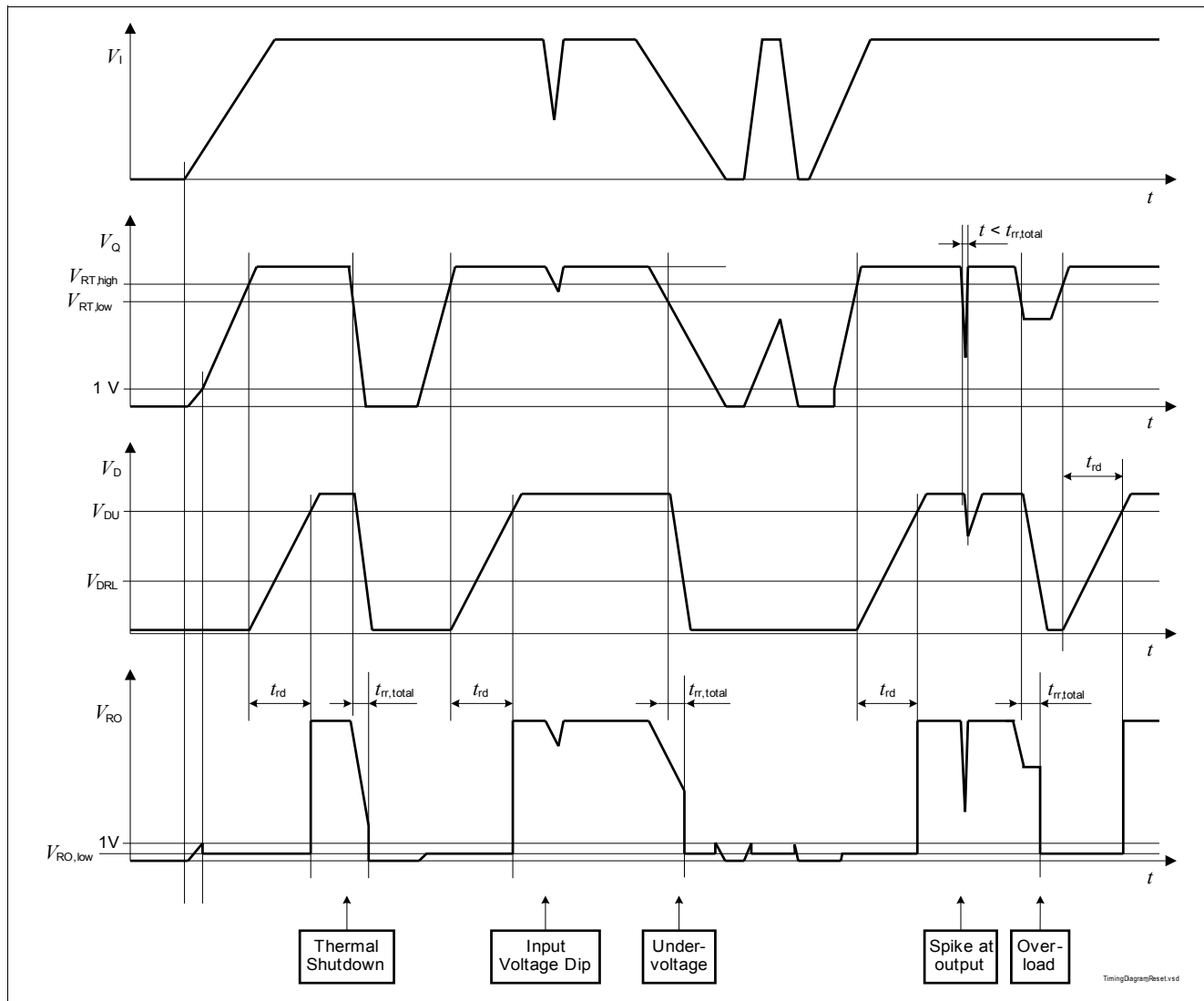


Figure 8 Timing Diagram Reset

Table 8 Electrical Characteristics Reset

$T_j = -40\text{ }^\circ\text{C}$ to $+150\text{ }^\circ\text{C}$, $V_i = 13.5\text{ V}$, all voltages with respect to ground (unless otherwise specified). Typical values are given at $T_j = 25\text{ }^\circ\text{C}$, $V_i = 13.5\text{ V}$.

Parameter	Symbol	Values			Unit	Note or Test Condition	Number
		Min.	Typ.	Max.			
Output Undervoltage Reset							
Output Undervoltage Reset Upper Switching Threshold	$V_{RT,high}$	4.6	4.7	4.8	V	V_Q increasing, $V_{EN} \geq 2.0\text{ V}$	P_5.7.1
Output Undervoltage Reset Lower Switching Threshold	$V_{RT,low}$	4.5	4.6	4.7	V	V_Q decreasing, $V_{EN} \geq 2.0\text{ V}$	P_5.7.2
Reset Output RO							

Block Description and Electrical Characteristics

Table 8 Electrical Characteristics Reset (cont'd)

$T_j = -40\text{ °C}$ to $+150\text{ °C}$, $V_I = 13.5\text{ V}$, all voltages with respect to ground (unless otherwise specified).
 Typical values are given at $T_j = 25\text{ °C}$, $V_I = 13.5\text{ V}$.

Parameter	Symbol	Values			Unit	Note or Test Condition	Number
		Min.	Typ.	Max.			
Reset Output Low Voltage	$V_{RO,low}$	0	0.2	0.4	V	$1\text{ V} \leq V_Q \leq V_{RT}$; $R_{RO} > 4.7\text{ k}\Omega$	P_5.7.3
Reset Output Internal Pull-Up Resistor	$R_{RO,int}$	13	20	36	k Ω	Internally connected to Q	P_5.7.4
Reset Output External Pull-up Resistor to V_Q	$R_{RO,ext}$	4.7	–	–	k Ω	$1\text{ V} \leq V_Q \leq V_{RT}$; $V_{RO} \leq 0.4\text{ V}$	P_5.7.5

Reset Delay Timing

Power On Reset Delay Time	t_{rd}	17	25	37	ms	$C_D = 100\text{ nF}$ Calculated vaule	P_5.7.6
Upper Delay Switching Threshold	V_{DU}	–	0.9	–	V	–	P_5.7.7
Lower Delay Switching Threshold	V_{DL}	–	0.6	–	V	–	P_5.7.8
Delay Capacitor Charge Current	$I_{D,ch}$	–	3.6	–	μA	$V_D = 1\text{ V}$	P_5.7.9
Delay Capacitor Discharge Current	$I_{D,dch}$	–	250	–	mA	$V_D = 1\text{ V}$	P_5.7.10
Delay Capacitor Discharge Time	$t_{rr,d}$	–	2	4	μs	$C_D = 100\text{ nF}$ Calculated value	P_5.7.11
Internal Reset Reaction Time ¹⁾	$t_{rr,int}$	–	8	14	μs	$C_D = 0\text{ nF}$	P_5.7.12
Reset Reaction Time	$t_{rr,total}$	–	10	18	μs	$C_D = 100\text{ nF}$ Calculated value	P_5.7.13

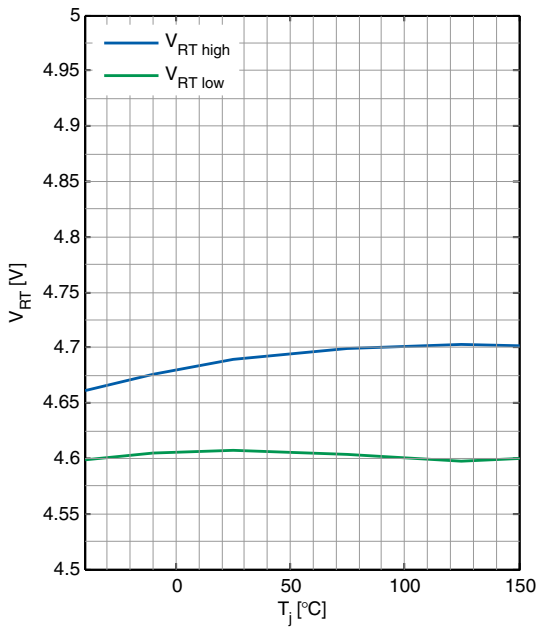
1) Parameter not subject to production test; specified by design.

Block Description and Electrical Characteristics

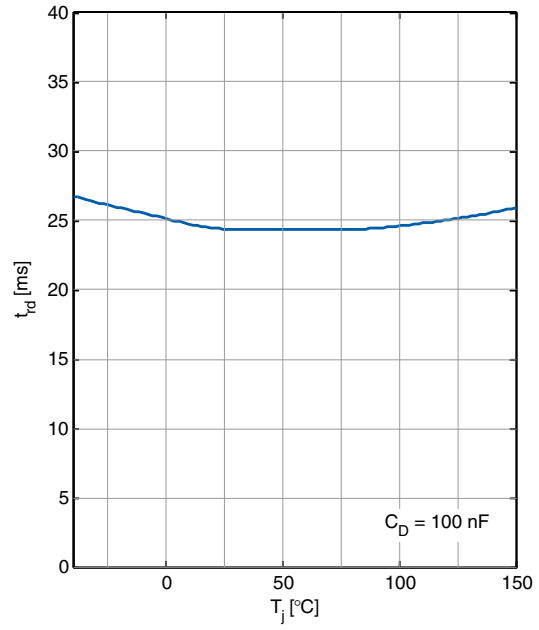
5.8 Typical Performance Characteristics Reset

Typical Performance Characteristics

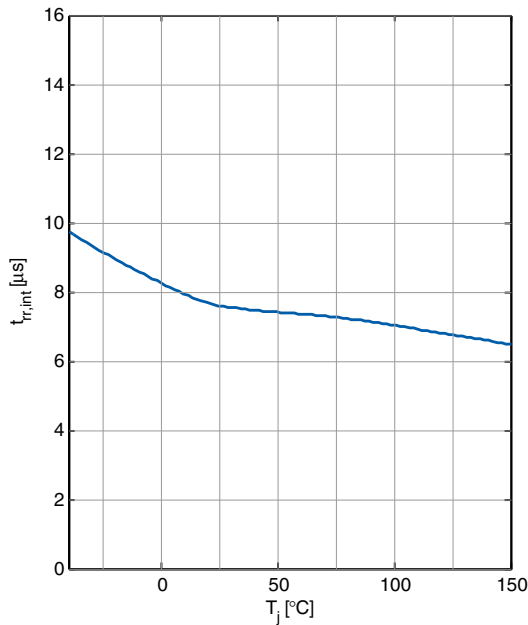
Undervoltage Reset Threshold V_{RT} versus Junction Temperature T_j



Power On Reset Delay Time t_{rd} versus Junction Temperature T_j



Internal Reset Reaction Time $t_{rr,int}$ versus Junction Temperature T_j



Application Information

6 Application Information

Note: The following information is given as a hint for the implementation of the device only and shall not be regarded as a description or warranty of a certain functionality, condition or quality of the device.

6.1 Application Diagram

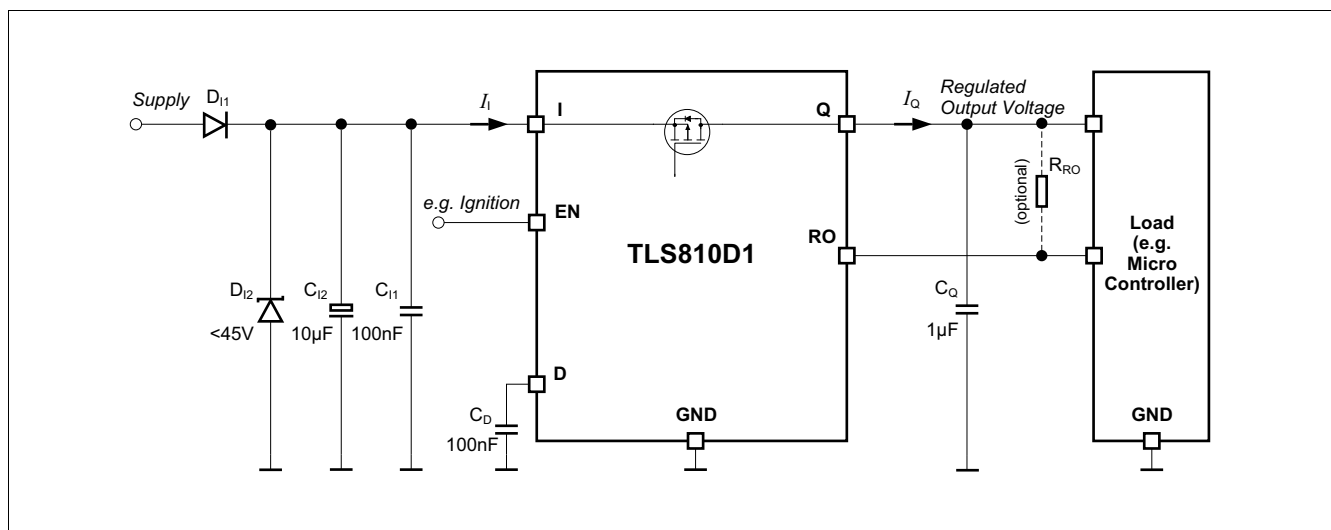


Figure 9 Application Diagram

6.2 Selection of External Components

6.2.1 Input Pin

The typical input circuitry for a linear voltage regulator is shown in the application diagram above.

A ceramic capacitor at the input, in the range of 100 nF to 470 nF, is recommended to filter out the high frequency disturbances imposed by the line e.g. ISO pulses 3a/b. This capacitor must be placed very close to the input pin of the linear voltage regulator on the PCB.

An aluminum electrolytic capacitor in the range of 10 µF to 470 µF is recommended as an input buffer to smooth out high energy pulses, such as ISO pulse 2a. This capacitor should be placed close to the input pin of the linear voltage regulator on the PCB.

An overvoltage suppressor diode can be used to further suppress any high voltage beyond the maximum rating of the linear voltage regulator and protect the device against any damage due to over-voltage.

The external components at the input are not mandatory for the operation of the voltage regulator, but they are recommended in case of possible external disturbances.

Application Information

6.2.2 Output Pin

An output capacitor is mandatory for the stability of linear voltage regulators.

The requirement to the output capacitor is given in **“Functional Range” on Page 9**. The graph **“Output Capacitor Series Resistor ESR(C_Q) versus Output Current I_Q ” on Page 15** shows the stable operation range of the device.

TLS810D1 is designed to be stable with extremely low ESR capacitors. According to the automotive environment, ceramic capacitors with X5R or X7R dielectrics are recommended.

The output capacitor should be placed as close as possible to the regulator’s output and GND pins and on the same side of the PCB as the regulator itself.

In case of rapid transients of input voltage or load current, the capacitance should be dimensioned in accordance and verified in the real application that the output stability requirements are fulfilled.

6.3 Thermal Considerations

Knowing the input voltage, the output voltage and the load profile of the application, the total power dissipation can be calculated:

$$P_D = (V_I - V_Q) \times I_Q + V_I \times I_q \quad (6.1)$$

with

- P_D : continuous power dissipation
- V_I : input voltage
- V_Q : output voltage
- I_Q : output current
- I_q : quiescent current

The maximum acceptable thermal resistance R_{thJA} can then be calculated:

$$R_{thJA, max} = \frac{T_{j, max} - T_a}{P_D} \quad (6.2)$$

with

- $T_{j, max}$: maximum allowed junction temperature
- T_a : ambient temperature

Based on the above calculation the proper PCB type and the necessary heat sink area can be determined with reference to the specification in **“Thermal Resistance” on Page 10**.

Example

Application conditions:

$$V_I = 13.5 \text{ V}$$

$$V_Q = 5 \text{ V}$$

$$I_Q = 80 \text{ mA}$$

$$T_a = 105 \text{ °C}$$

Application Information

Calculation of $R_{thJA,max}$:

$$\begin{aligned}
 P_D &= (V_I - V_Q) \times I_Q + V_I \times I_q \\
 &= (13.5V - 5V) \times 80 \text{ mA} + 13.5 \text{ V} \times 0.016 \text{ mA} \\
 &= 0.68 \text{ W}
 \end{aligned}$$

$$\begin{aligned}
 R_{thJA,max} &= (T_{j,max} - T_a) / P_D \\
 &= (150 \text{ °C} - 105 \text{ °C}) / 0.68 \text{ W} \\
 &= 66.2 \text{ K/W}
 \end{aligned}$$

As a result, the PCB design must ensure a thermal resistance R_{thJA} lower than 66.2 K/W. According to **“Thermal Resistance” on Page 10**, for both TLS810D1EJV50 and TLS810D1LDV50 at least 600 mm² heatsink area is needed on the FR4 1s0p PCB, or the FR4 2s2p board can be used.

6.4 Reverse Polarity Protection

TLS810D1 is not self protected against reverse polarity faults. To protect the device against negative supply voltage, an external reverse polarity diode is needed, as shown in **Figure 9**. The absolute maximum ratings of the device as specified in **“Absolute Maximum Ratings” on Page 8** must be kept.

6.5 Further Application Information

- For further information you may contact <http://www.infineon.com/>

Package Outlines

7 Package Outlines

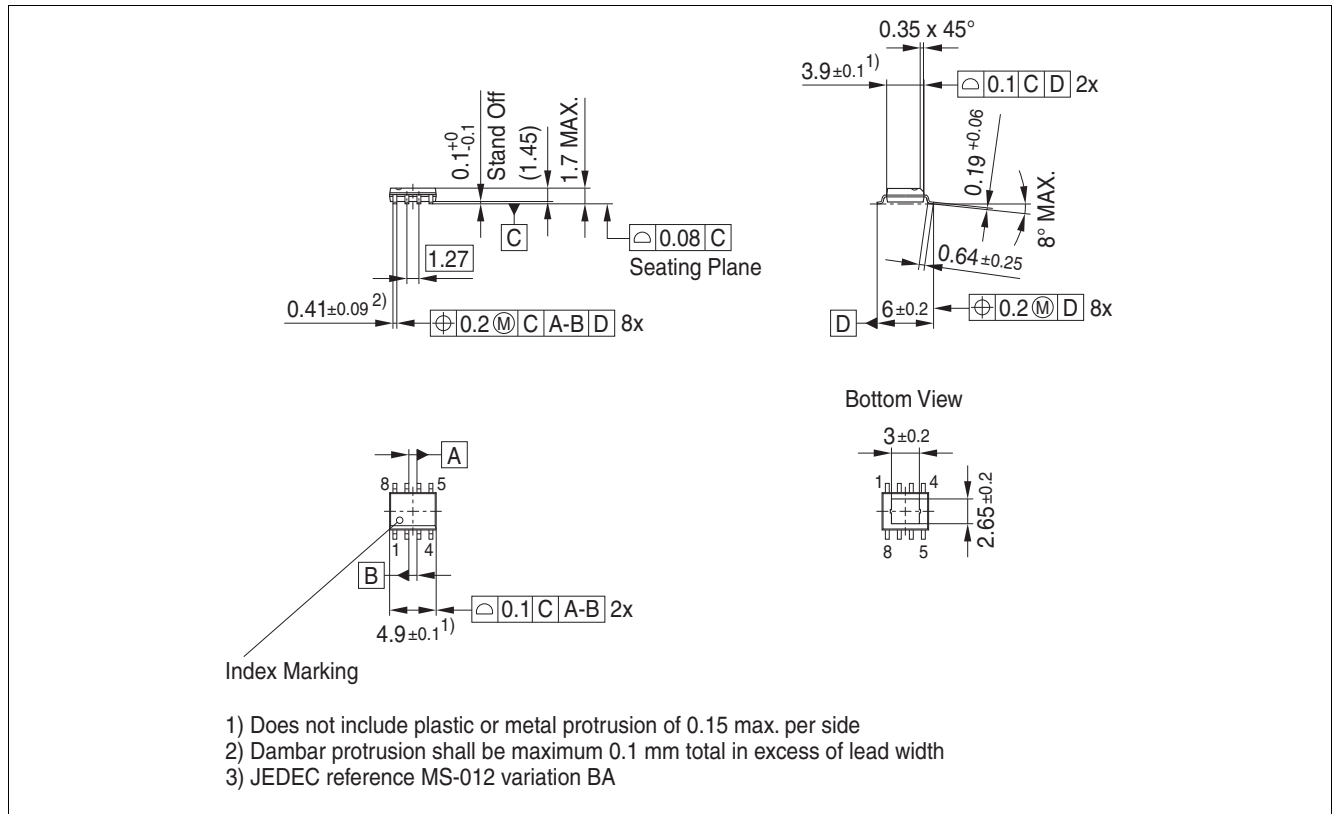


Figure 10 PG-DSO-8 EP

Package Outlines

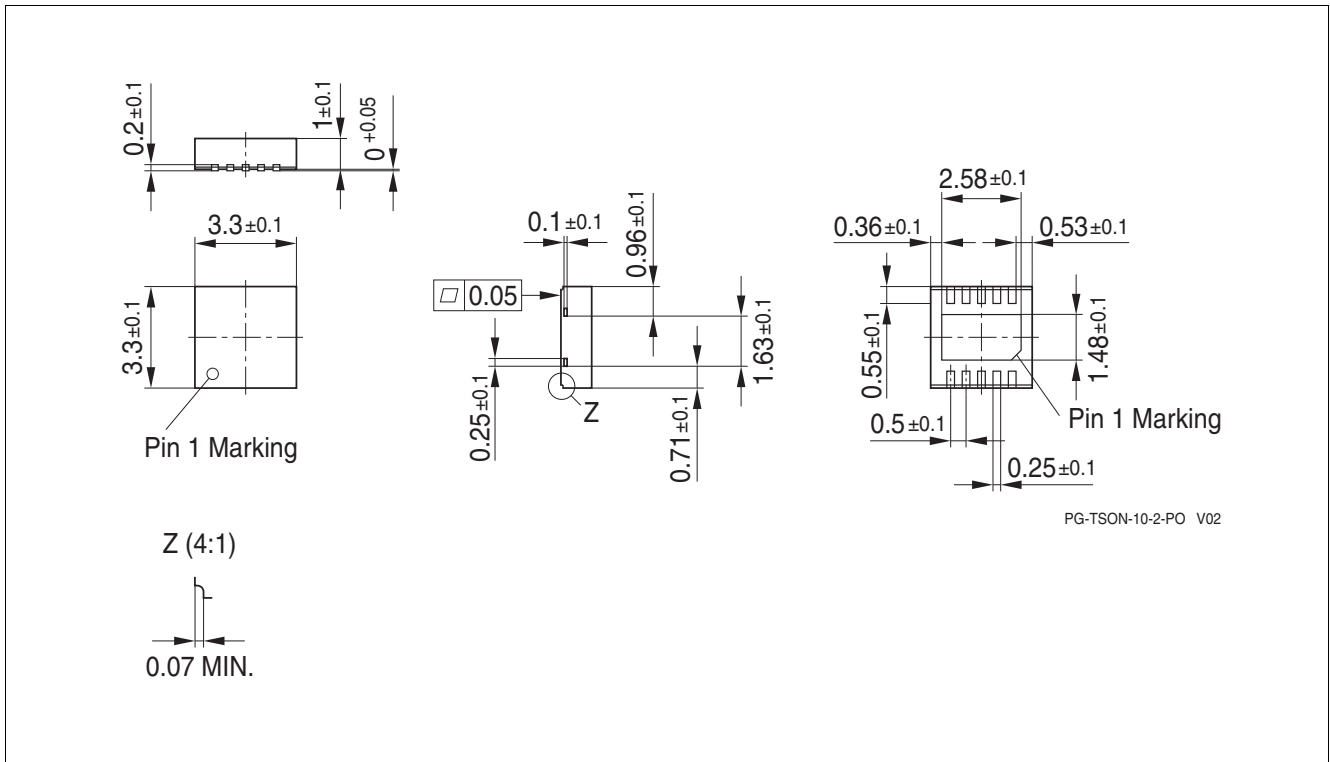


Figure 11 PG-TSON-10

Green Product (RoHS compliant)

To meet the world-wide customer requirements for environmentally friendly products and to be compliant with government regulations the device is available as a green product. Green products are RoHS-Compliant (i.e Pb-free finish on leads and suitable for Pb-free soldering according to IPC/JEDEC J-STD-020).

For further information on alternative packages, please visit our website:
<http://www.infineon.com/packages>.

Dimensions in mm



Revision History

8 Revision History

Revision	Date	Changes
1.1	2015-11-02	<ul style="list-style-type: none"> - New variant TLS810D1LDV50 in PG-TSON-10 package added. - Document style updated. - Typical performance graph Load Regulation updated. - Editorial changes.
1.0	2015-01-27	Datasheet - Initial Version

Trademarks of Infineon Technologies AG

AURIX™, C166™, CanPAK™, CIPOS™, CIPURSE™, CoolMOS™, CoolSET™, CORECONTROL™, CROSSAVE™, DAVE™, DI-POL™, EasyPIM™, EconoBRIDGE™, EconoDUAL™, EconoPIM™, EconoPACK™, EiceDRIVER™, eupec™, FCOS™, HITFET™, HybridPACK™, I²RF™, ISOFACE™, IsoPACK™, LITIX™, MIPAQ™, ModSTACK™, my-d™, NovalithIC™, OptiMOS™, ORIGA™, POWERCODE™, PRIMARION™, PrimePACK™, PrimeSTACK™, PRO-SIL™, PROFET™, RASIC™, ReverSave™, SatRIC™, SIEGET™, SINDRION™, SIPMOS™, SmartLEWIS™, SPOC™, SOLID FLASH™, TEMPFET™, thinQ!™, TRENCHSTOP™, TriCore™.

Other Trademarks

Advance Design System™ (ADS) of Agilent Technologies, AMBA™, ARM™, MULTI-ICE™, KEIL™, PRIMECELL™, REALVIEW™, THUMB™, µVision™ of ARM Limited, UK. AUTOSAR™ is licensed by AUTOSAR development partnership. Bluetooth™ of Bluetooth SIG Inc. CAT-iq™ of DECT Forum. COLOSSUS™, FirstGPS™ of Trimble Navigation Ltd. EMV™ of EMVCo, LLC (Visa Holdings Inc.). EPCOS™ of Epcos AG. FLEXGO™ of Microsoft Corporation. FlexRay™ is licensed by FlexRay Consortium. HYPERTERMINAL™ of Hilgraeve Incorporated. IEC™ of Commission Electrotechnique Internationale. IrDA™ of Infrared Data Association Corporation. ISO™ of INTERNATIONAL ORGANIZATION FOR STANDARDIZATION. MATLAB™ of MathWorks, Inc. MAXIM™ of Maxim Integrated Products, Inc. MICROTEC™, NUCLEUS™ of Mentor Graphics Corporation. MIPI™ of MIPI Alliance, Inc. MIPS™ of MIPS Technologies, Inc., USA. muRata™ of MURATA MANUFACTURING CO., MICROWAVE OFFICE™ (MWO) of Applied Wave Research Inc., OmniVision™ of OmniVision Technologies, Inc. Openwave™ Openwave Systems Inc. RED HAT™ Red Hat, Inc. RFMD™ RF Micro Devices, Inc. SIRIUS™ of Sirius Satellite Radio Inc. SOLARIS™ of Sun Microsystems, Inc. SPANSION™ of Spansion LLC Ltd. Symbian™ of Symbian Software Limited. TAIYO YUDEN™ of Taiyo Yuden Co. TEAKLITE™ of CEVA, Inc. TEKTRONIX™ of Tektronix Inc. TOKO™ of TOKO KABUSHIKI KAISHA TA. UNIX™ of X/Open Company Limited. VERILOG™, PALLADIUM™ of Cadence Design Systems, Inc. VLYNQ™ of Texas Instruments Incorporated. VXWORKS™, WIND RIVER™ of WIND RIVER SYSTEMS, INC. ZETEX™ of Diodes Zetex Limited.

Last Trademarks Update 2011-11-11

www.infineon.com

Edition 2015-11-02

Published by

Infineon Technologies AG

81726 Munich, Germany

© 2015 Infineon Technologies AG.

All Rights Reserved.

Do you have a question about any aspect of this document?

Email: erratum@infineon.com

Legal Disclaimer

The information given in this document shall in no event be regarded as a guarantee of conditions or characteristics. With respect to any examples or hints given herein, any typical values stated herein and/or any information regarding the application of the device, Infineon Technologies hereby disclaims any and all warranties and liabilities of any kind, including without limitation, warranties of non-infringement of intellectual property rights of any third party.

Information

For further information on technology, delivery terms and conditions and prices, please contact the nearest Infineon Technologies Office (www.infineon.com).

Warnings

Due to technical requirements, components may contain dangerous substances. For information on the types in question, please contact the nearest Infineon Technologies Office. Infineon Technologies components may be used in life-support devices or systems only with the express written approval of Infineon Technologies, if a failure of such components can reasonably be expected to cause the failure of that life-support device or system or to affect the safety or effectiveness of that device or system. Life support devices or systems are intended to be implanted in the human body or to support and/or maintain and sustain and/or protect human life. If they fail, it is reasonable to assume that the health of the user or other persons may be endangered.

单击下面可查看定价，库存，交付和生命周期等信息

[>>Infineon\(英飞凌\)](#)