

# TVS Diodes

Transient Voltage Suppressor Diodes

## ESD8V0R1B Series

Bi-directional Low Capacitance TVS Diode

ESD8V0R1B-02EL  
ESD8V0R1B-02ELS

## Data Sheet

Revision 2.0, 2010-12-15  
Final

**Edition 2010-12-15**

**Published by  
Infineon Technologies AG  
81726 Munich, Germany**

**© 2010 Infineon Technologies AG  
All Rights Reserved.**

### **Legal Disclaimer**

The information given in this document shall in no event be regarded as a guarantee of conditions or characteristics. With respect to any examples or hints given herein, any typical values stated herein and/or any information regarding the application of the device, Infineon Technologies hereby disclaims any and all warranties and liabilities of any kind, including without limitation, warranties of non-infringement of intellectual property rights of any third party.

### **Information**

For further information on technology, delivery terms and conditions and prices, please contact the nearest Infineon Technologies Office ([www.infineon.com](http://www.infineon.com)).

### **Warnings**

Due to technical requirements, components may contain dangerous substances. For information on the types in question, please contact the nearest Infineon Technologies Office.

Infineon Technologies components may be used in life-support devices or systems only with the express written approval of Infineon Technologies, if a failure of such components can reasonably be expected to cause the failure of that life-support device or system or to affect the safety or effectiveness of that device or system. Life support devices or systems are intended to be implanted in the human body or to support and/or maintain and sustain and/or protect human life. If they fail, it is reasonable to assume that the health of the user or other persons may be endangered.

**Revision History**

Page or Item	Subjects (major changes since previous revision)
<b>Revision 1.0, 2010-10-20</b>	
<b>Revision 2.0, 2010-12-15</b>	
	Carrier Tape drawing for TSSLP-2-2 Package updated

**Trademarks of Infineon Technologies AG**

AURIX™, BlueMoon™, COMNEON™, C166™, CROSSAVE™, CanPAK™, CIPOS™, CoolMOS™, CoolSET™, CORECONTROL™, DAVE™, EasyPIM™, EconoBRIDGE™, EconoDUAL™, EconoPACK™, EconoPIM™, EiceDRIVER™, EUPEC™, FCOS™, HITFET™, HybridPACK™, ISOFACE™, I<sup>2</sup>RF™, IsoPACK™, MIPAQ™, ModSTACK™, my-d™, NovalithIC™, OmniTune™, OptiMOS™, ORIGA™, PROFET™, PRO-SIL™, PRIMARION™, PrimePACK™, RASIC™, ReverSave™, SatRIC™, SIEGET™, SINDRION™, SMARTi™, SmartLEWIS™, TEMPFET™, thinQ!™, TriCore™, TRENCHSTOP™, X-GOLD™, XMM™, X-PMU™, XPOSYS™.

**Other Trademarks**

Advance Design System™ (ADS) of Agilent Technologies, AMBA™, ARM™, MULTI-ICE™, PRIMECELL™, REALVIEW™, THUMB™ of ARM Limited, UK. AUTOSAR™ is licensed by AUTOSAR development partnership. Bluetooth™ of Bluetooth SIG Inc. CAT-iq™ of DECT Forum. COLOSSUS™, FirstGPS™ of Trimble Navigation Ltd. EMV™ of EMVCo, LLC (Visa Holdings Inc.). EPCOS™ of Epcos AG. FLEXGO™ of Microsoft Corporation. FlexRay™ is licensed by FlexRay Consortium. HYPERTERMINAL™ of Hilgraeve Incorporated. IEC™ of Commission Electrotechnique Internationale. IrDA™ of Infrared Data Association Corporation. ISO™ of INTERNATIONAL ORGANIZATION FOR STANDARDIZATION. MATLAB™ of MathWorks, Inc. MAXIM™ of Maxim Integrated Products, Inc. MICROTEC™, NUCLEUS™ of Mentor Graphics Corporation. Mifare™ of NXP. MIPI™ of MIPI Alliance, Inc. MIPS™ of MIPS Technologies, Inc., USA. muRata™ of MURATA MANUFACTURING CO., MICROWAVE OFFICE™ (MWO) of Applied Wave Research Inc., OmniVision™ of OmniVision Technologies, Inc. Openwave™ Openwave Systems Inc. RED HAT™ Red Hat, Inc. RFMD™ RF Micro Devices, Inc. SIRIUS™ of Sirius Sattelite Radio Inc. SOLARIS™ of Sun Microsystems, Inc. SPANSION™ of Spansion LLC Ltd. Symbian™ of Symbian Software Limited. TAIYO YUDEN™ of Taiyo Yuden Co. TEAKLITE™ of CEVA, Inc. TEKTRONIX™ of Tektronix Inc. TOKO™ of TOKO KABUSHIKI KAISHA TA. UNIX™ of X/Open Company Limited. VERILOG™, PALLADIUM™ of Cadence Design Systems, Inc. VLYNQ™ of Texas Instruments Incorporated. VXWORKS™, WIND RIVER™ of WIND RIVER SYSTEMS, INC. ZETEX™ of Diodes Zetex Limited.

Last Trademarks Update 2010-06-09

## Table of Contents

	<b>Table of Contents</b> .....	4
	<b>List of Figures</b> .....	5
	<b>List of Tables</b> .....	6
<b>1</b>	<b>Bi-directional Low Capacitance TVS Diode</b> .....	7
1.1	Features .....	7
1.2	Application Examples .....	7
<b>2</b>	<b>Product Description</b> .....	7
<b>3</b>	<b>Characteristics</b> .....	8
3.1	Electrical Characteristics at $T_A = 25\text{ }^\circ\text{C}$ , unless otherwise specified .....	8
3.2	Typical Performance characteristics at $T_A = 25\text{ }^\circ\text{C}$ , unless otherwise specified .....	10
<b>4</b>	<b>Application Information</b> .....	12
<b>5</b>	<b>Ordering information scheme</b> .....	13
<b>6</b>	<b>Package Information</b> .....	14
6.1	PG-TSLP-2-18 .....	14
6.2	PG-TSSLP-2-2 .....	15
	<b>Terminology</b> .....	16

## List of Figures

Figure 1	a) Pin Configuration and b) Schematic Diagram	7
Figure 2	Definitions of electrical characteristics	8
Figure 3	Non-repetitive peak pulse power: $P_{pk} = f(t_p)$	10
Figure 4	Power derating curve: $P_{pk} = f(T_A)$	10
Figure 5	Reverse characteristic, $I_R = (V_R), T_A =$ parameter	11
Figure 6	Line capacitance $C_L = f(V_R)$	11
Figure 7	1 Line, bi-directional protection with ESD diode	12
Figure 8	Ordering Information Scheme (examples)	13
Figure 9	PG-TSLP-2-18: Package Overview	14
Figure 10	PG-TSLP-2-18: Footprint	14
Figure 11	PG-TSLP-2-18: Packing	14
Figure 12	PG-TSLP-2-18: Marking (example)	14
Figure 13	PG-TSSLP-2-2: Package Overview	15
Figure 14	PG-TSSLP-2-2: Footprint	15
Figure 15	PG-TSSLP-2-2: Packing	15
Figure 16	PG-TSSLP-2-2: Marking (example)	15

## List of Tables

Table 1	Ordering information	7
Table 2	Maximum Rating at $T_A = 25\text{ °C}$ , unless otherwise specified	8
Table 3	DC characteristics at $T_A = 25\text{ °C}$ , unless otherwise specified	8
Table 4	RF characteristics at $T_A = 25\text{ °C}$ , unless otherwise specified	9
Table 5	ESD characteristics at $T_A = 25\text{ °C}$ , unless otherwise specified	9

# 1 Bi-directional Low Capacitance TVS Diode

## 1.1 Features

- ESD / Transient protection of data lines in 3.3 / 5 / 12 V applications according to :
  - IEC61000-4-2 (ESD) :  $\pm 20$  kV (air) and  $\pm 18$  kV (contact)
  - IEC61000-4-4 (EFT) : 40 A (5/50ns)
- Extremely small form factor down to 0.62 x 0.32 x 0.31 mm<sup>2</sup>
- Maximum working voltage:  $V_{RWM} = -8 / +14$  V
- Very low reverse current:  $I_R < 1$  nA (typical)
- Very low series inductance down to :  $L_S = 0.2$  nH (typical)
- Low capacitance  $C_L = 4$  pF I/O to GND (typical)
- Pb-free and Halogen-Free package (RoHS compliant)

## 1.2 Application Examples

- Keypad, touchpad, buttons, convenience keys
- LCD displays, Camera, audio lines, mobile communication, Consumer products (E-Book, MP3, DVD, DSC, ...)
- Notebooks tablets and desktop computers and their peripherals



# 2 Product Description

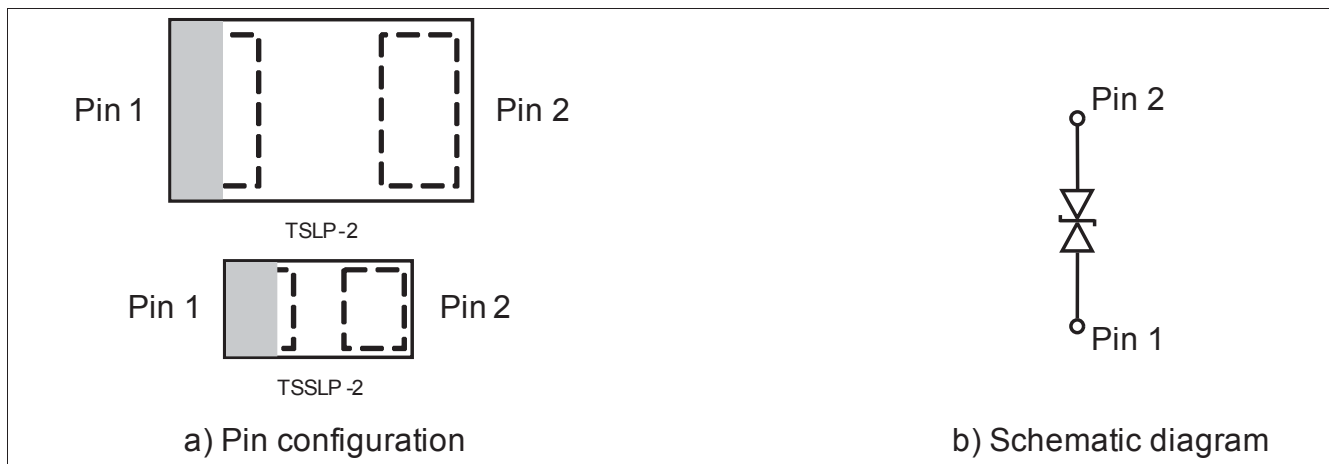


Figure 1 a) Pin Configuration and b) Schematic Diagram

Table 1 Ordering information

Type	Package	Configuration	Marking code
ESD8V0R1B-02EL	PG-TSLP-2-18	1 line, bi-directional	R
ESD8V0R1B-02ELS	PG-TSSLP-2-2	1 line, bi-directional	D

### 3 Characteristics

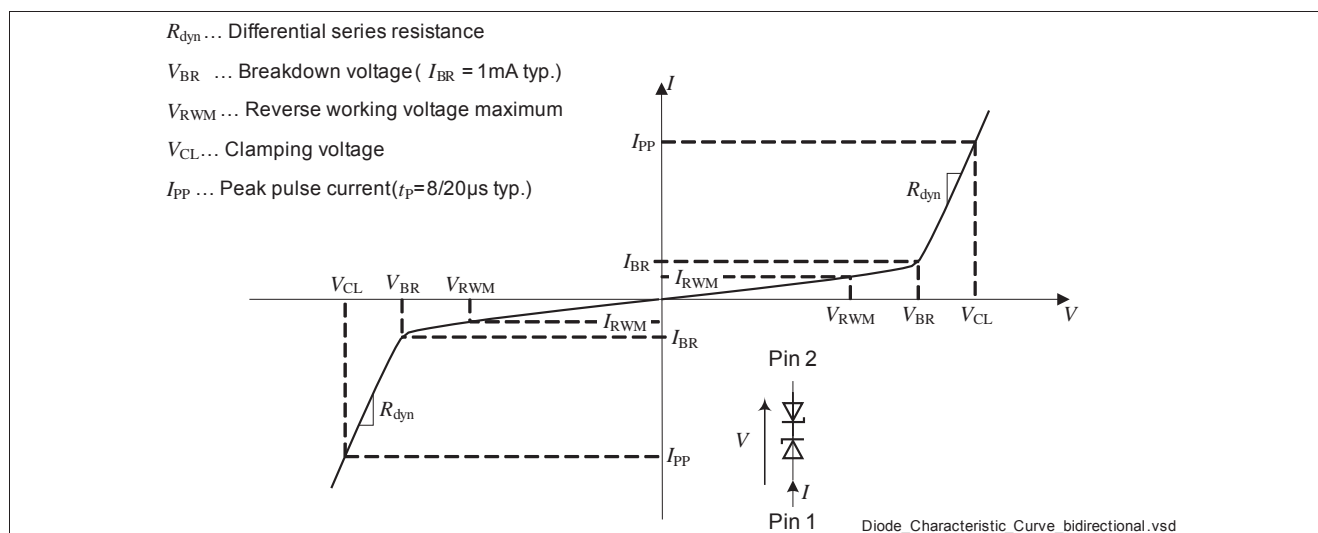
**Table 2 Maximum Rating at  $T_A = 25\text{ }^\circ\text{C}$ , unless otherwise specified**

Parameter	Symbol	Values			Unit
		Min.	Typ.	Max.	
ESD air discharge <sup>1)</sup>	$V_{ESD}$	-20	–	20	kV
ESD contact discharge <sup>1)</sup>	$V_{ESD}$	-18	–	18	kV
Peak pulse current ( $t_p = 8/20\ \mu\text{s}$ ) <sup>2)</sup>	$I_{PP}$	-1	–	1	A
Operating temperature	$T_{OP}$	-55	–	150	$^\circ\text{C}$
Storage temperature	$T_{stg}$	-65	–	150	$^\circ\text{C}$

 1)  $V_{ESD}$  according to IEC61000-4-2

 2)  $I_{PP}$  according to IEC61000-4-5

#### 3.1 Electrical Characteristics at $T_A = 25\text{ }^\circ\text{C}$ , unless otherwise specified


**Figure 2 Definitions of electrical characteristics**
**Table 3 DC characteristics at  $T_A = 25\text{ }^\circ\text{C}$ , unless otherwise specified**

Parameter	Symbol	Values			Unit	Note / Test Condition
		Min.	Typ.	Max.		
Reverse working voltage	$V_{RWM}$	-8	–	14	V	from Pin2 to Pin1
Breakdown voltage	$V_{BR}$	8.5	11	14	V	$I_R = 1\text{ mA}$ , from Pin1 to Pin2
Breakdown voltage	$V_{BR}$	14.5	17	20	V	$I_R = 1\text{ mA}$ , from Pin2 to Pin1
Reverse current	$I_R$	–	<1	50	nA	$V_R = 3.3\text{ V}$



**Table 4 RF characteristics at  $T_A = 25\text{ °C}$ , unless otherwise specified**

Parameter	Symbol	Values			Unit	Note / Test Condition
		Min.	Typ.	Max.		
Line capacitance	$C_L$	–	4	7	pF	$V_R = 0\text{ V}$ , $f = 1\text{ MHz}$ , I/O to GND
Serie inductance	$L_S$	–	0.4	–	nH	ESD8V0R1B-02EL
	$L_S$	–	0.2	–	nH	ESD8V0R1B-02ELS

**Table 5 ESD characteristics at  $T_A = 25\text{ °C}$ , unless otherwise specified**

Parameter	Symbol	Values			Unit	Note / Test Condition
		Min.	Typ.	Max.		
Clamping voltage <sup>1)</sup>	$V_{CL}$	–	17	22	V	$I_{PP} = 1\text{ A}$ from Pin1 to Pin2
	$V_{CL}$	–	23	28	V	$I_{PP} = 1\text{ A}$ from Pin2 to Pin1

1) According to IEC61000-4-5 ( $t_p : 8 / 20\text{ }\mu\text{s}$ )

3.2 Typical Performance characteristics at  $T_A = 25\text{ }^\circ\text{C}$ , unless otherwise specified

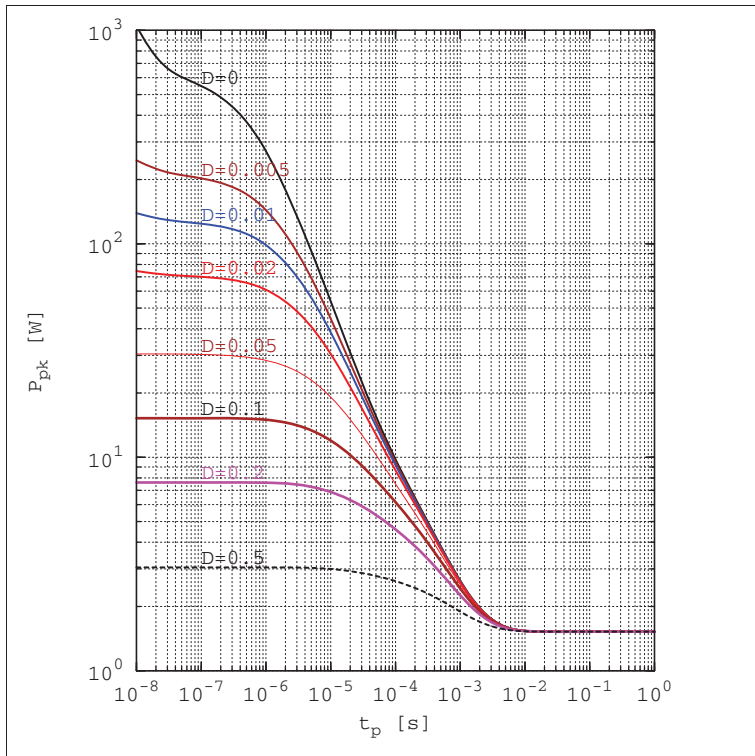


Figure 3 Non-repetitive peak pulse power:  $P_{pk} = f(t_p)$

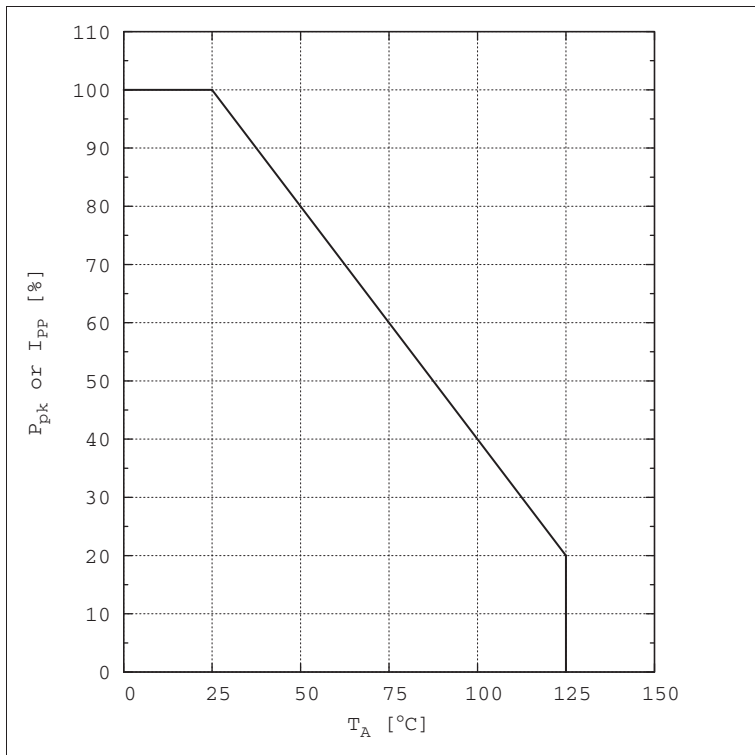


Figure 4 Power derating curve:  $P_{pk} = f(T_A)$

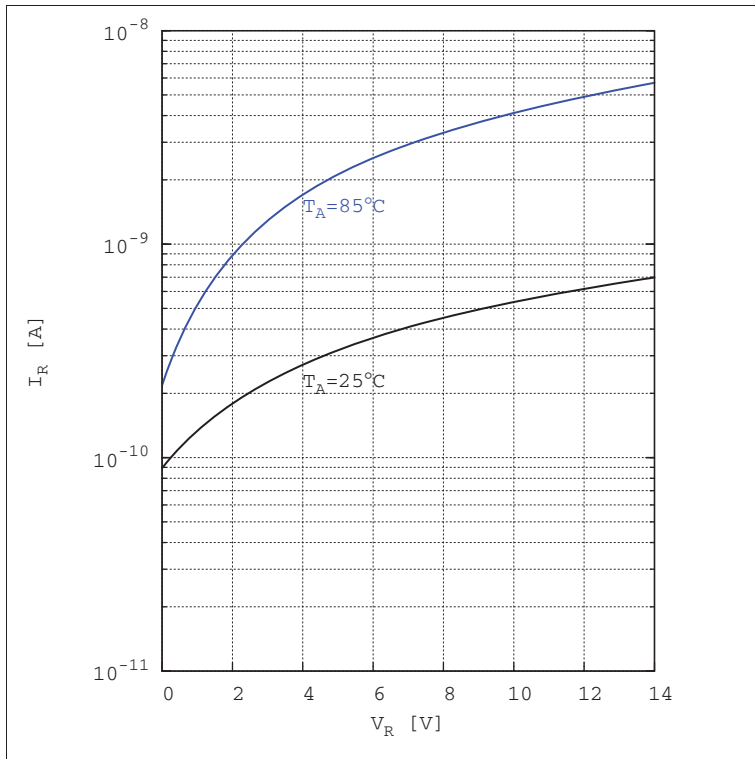


Figure 5 Reverse characteristic,  $I_R = f(V_R)$ ,  $T_A = \text{parameter}$

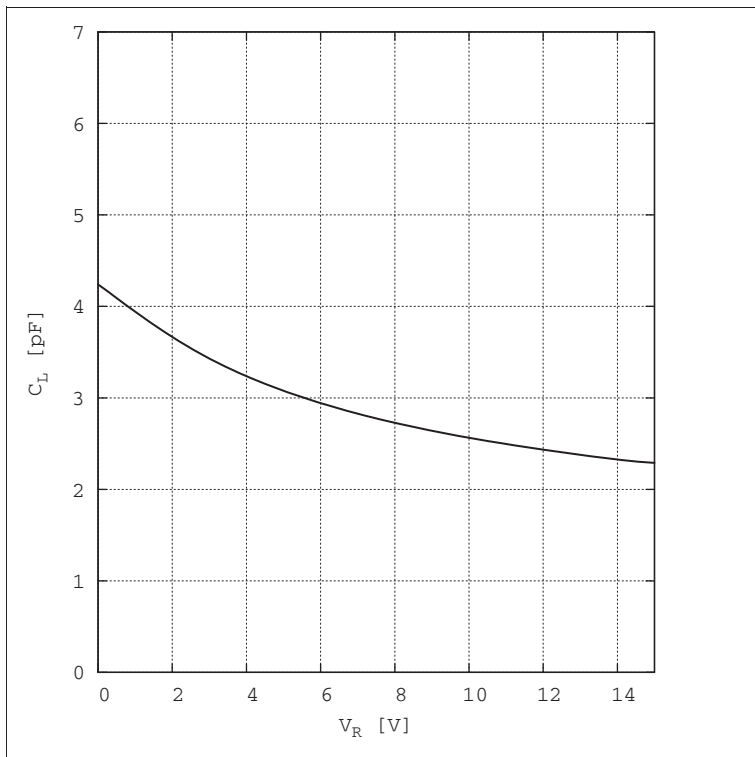


Figure 6 Line capacitance  $C_L = f(V_R)$

## 4 Application Information

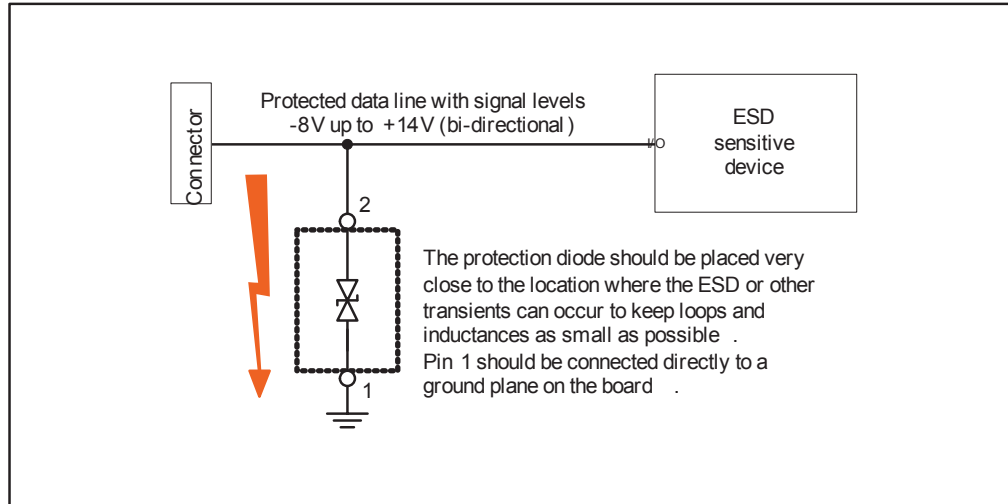


Figure 7 1 Line, bi-directional protection with ESD diode

## 5 Ordering information scheme

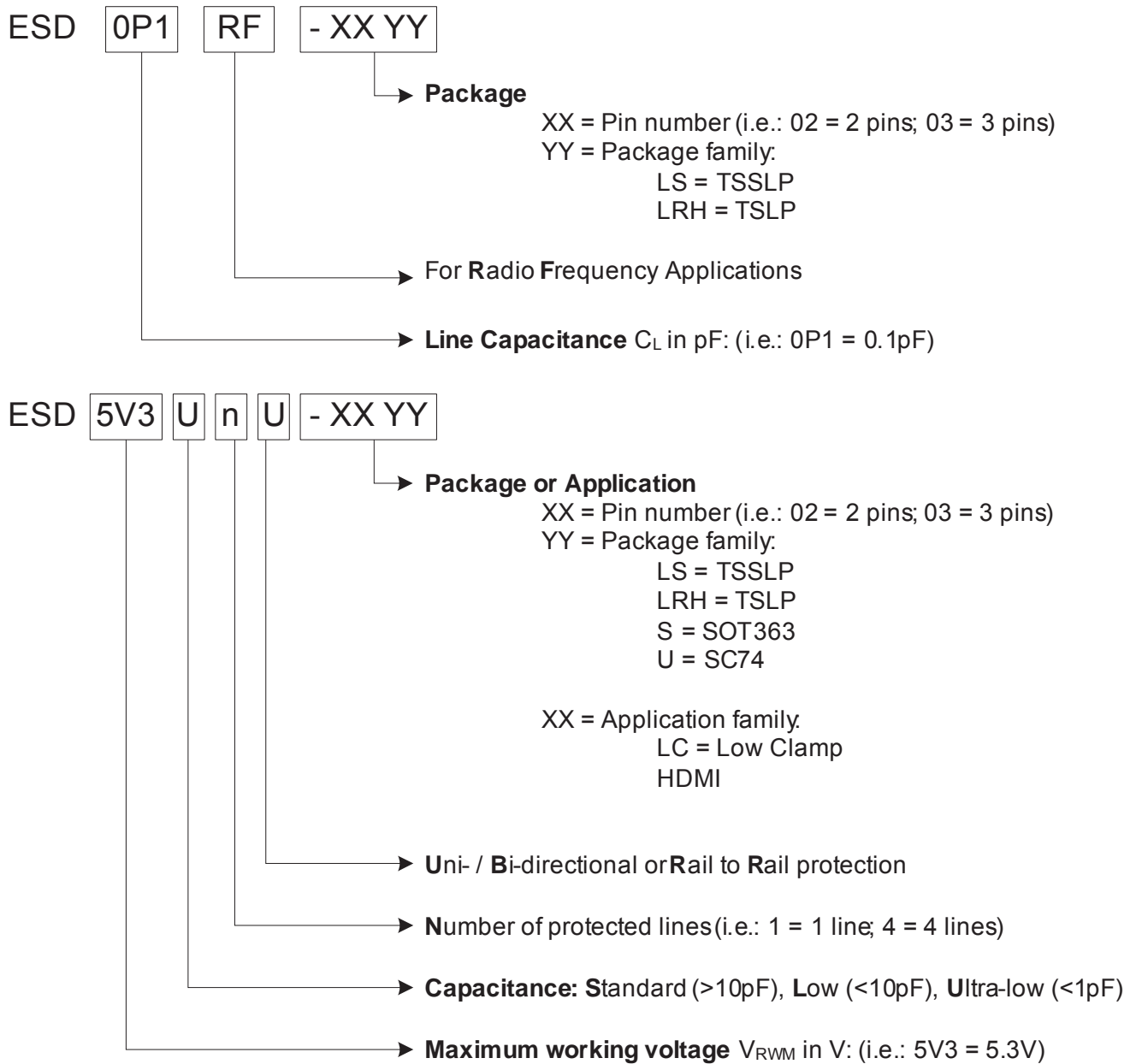
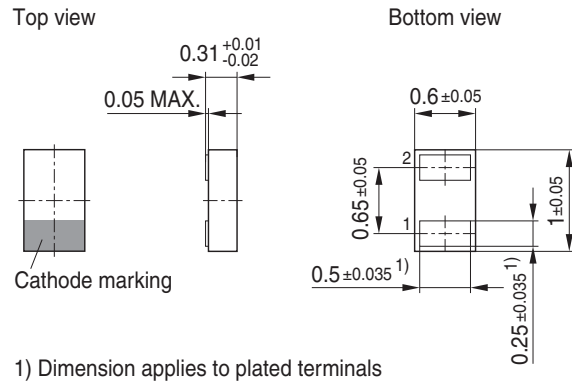


Figure 8 Ordering Information Scheme (examples)

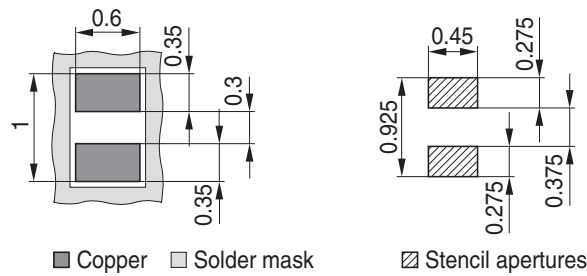
## 6 Package Information

### 6.1 PG-TSLP-2-18



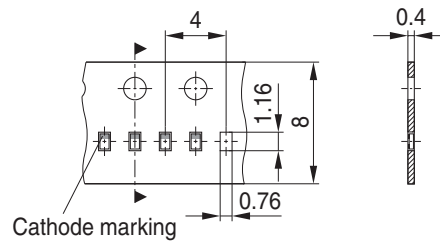
TSLP-2-18-PO V01

Figure 9 PG-TSLP-2-18: Package Overview



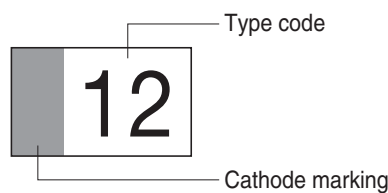
TSLP-2-18-FP V01

Figure 10 PG-TSLP-2-18: Footprint



TSLP-2-18-TP V01

Figure 11 PG-TSLP-2-18: Packing



TSLP-2-18-MK V01

Figure 12 PG-TSLP-2-18: Marking (example)

6.2 PG-TSSLP-2-2

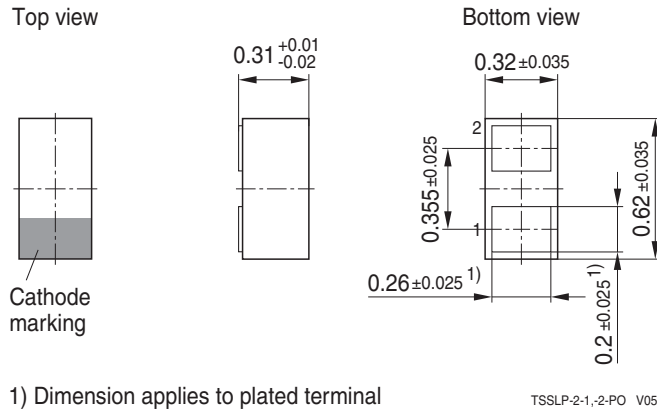


Figure 13 PG-TSSLP-2-2: Package Overview

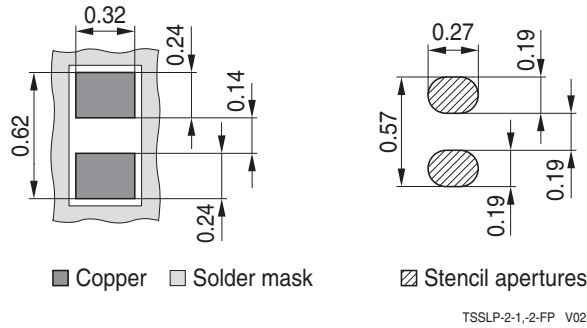
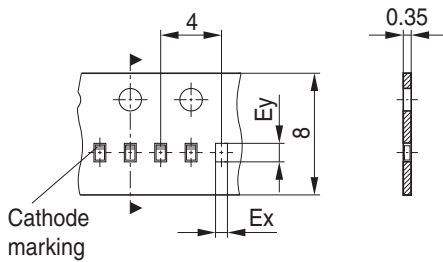


Figure 14 PG-TSSLP-2-2: Footprint



Tape type	Ex	Ey
Punched Tape	0.43	0.73
Embossed Tape	0.37	0.67

Deliveries can be both tape types (no selection possible).  
Specification allows identical processing (pick & place) by users.

TSSLP-2-1,-2-TP V03

Figure 15 PG-TSSLP-2-2: Packing

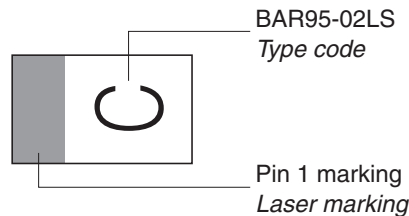


Figure 16 PG-TSSLP-2-2: Marking (example)

## Terminology

$C_L$	Line capacitance
DSC	Digital Still Camera
DVD	Digital Versatile Disc
EFT	Electrical Fast Transient
ESD	Electrostatic Discharge
IEC	International Electrotechnical Commission
$I_{PP}$	Peak pulse current
$I_R$	Reverse current
$I_{RWM}$	Reverse working current maximum
LCD	Liquid Crystal Display
$L_S$	Serial inductance
MP3	Moving Picture Experts Group III
<b>RoHS</b>	Restriction of Hazardous Substances Directive
$T_A$	Ambient temperature
$T_{OP}$	Operation temperature
$t_p$	Pulse duration
$T_{stg}$	Storage temperature
$V_{CL}$	Reverse clamping voltage
$V_{ESD}$	Electrostatic discharge voltage
$V_R$	Reverse voltage
$V_{RWM}$	Reverse working voltage maximum



www.infineon.com

单击下面可查看定价，库存，交付和生命周期等信息

[>>Infineon\(英飞凌\)](#)